



INSTALLATION INSTRUCTION • ISTRUZIONI D'INSTALLAZIONE • NOTICE D'INSTALLATION
INSTALLATIONSANLEITUNGEN • INSTRUCCIONES DE INSTALACION
INSTRUÇÕES DE INSTALAÇÃO • ΟΔΗΓΙΕΣ ΤΟΠΟΘΕΤΗΣΗΣ

OPERATING INSTRUCTION • ISTRUZIONI D'USO • NOTICE D'UTILISATION
BEDIENUNGSANLEITUNGEN • INSTRUCCIONES DE USO
MANUAL DE INSTRUÇÕES • ΟΔΗΓΙΕΣ ΧΡΗΣΕΩΣ

EG

I

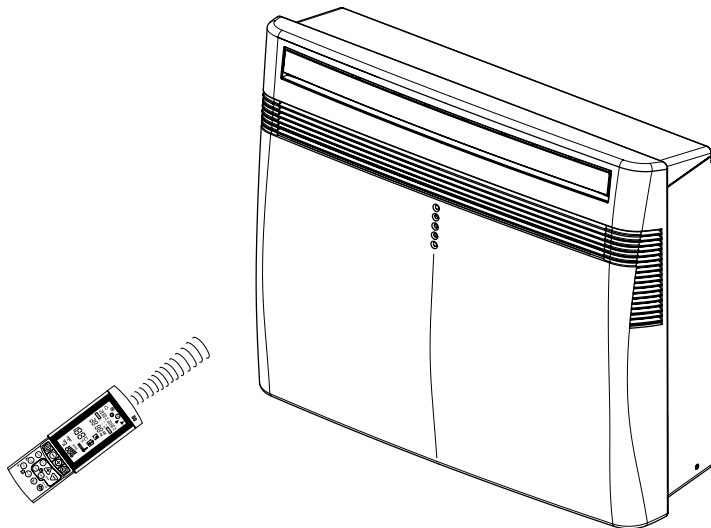
F

D

E

P

GR



COOL / DRY / FAN

ARGO 245C
ARGO 3SC

COOL / DRY / HEAT / FAN

ARGO 235H
ARGO 3HP

Air conditioner • Climatizzatore d'aria • Climatiseur
Klimagerät • Acondicionador de aire
Aparelho de ar condicionado • Κλιματιστικό

CONTENTS

PRODUCT IDENTIFICATION	3
SIGNALING LAMPS	3
ACCESSORIES SUPPLIED WITH THE UNIT	4
INSTALLATION	4
BEFORE USING THE APPLIANCE	7
USING THE REMOTE CONTROL UNIT	8
REMOTE CONTROL UNIT	9
HOW TO SET THE PRESENT TIME	10
COOLING	10
HEATING	10
AUTOMATIC OPERATION	10
DEHUMIDIFYING (DRY)	11
FAN ONLY	11
ADJUSTING THE FAN SPEED	11
SLEEP MODE	11
SETTING THE TIMER	12
ADJUSTING THE AIR FLOW DIRECTION	12
HOW TO DISCHARGE THE CONDENSATE WATER	13
OPERATION WITHOUT THE REMOTE CONTROL UNIT	14
TIPS FOR ENERGY SAVING	14
TROUBLESHOOTING	14
BOYLER CONNECTION KIT	15
CARE AND CLEANING	15



INFORMATION FOR CORRECT DISPOSAL OF THE PRODUCT IN ACCORDANCE WITH THE EUROPEAN DIRECTIVE 2002/96/EC

At the end of its working life this equipment must not be disposed of as a household waste.

It must be taken to special local community waste collection centres or to a dealer providing this service.

Disposing of an electrical and electronic equipment separately avoids possible negative effects on the environment and human health deriving from an inappropriate disposal and enables its components to be recovered and recycled to obtain significant savings in energy and resources.

In order to underline the duty to dispose of this equipment separately, the product is marked with a crossed-out dustbin.

EG

PRODUCT INFORMATION

If you have problems or questions concerning your Air Conditioner, you will need the following information. Model and serial numbers are on the nameplate applied on the unit.

Model No. _____
 Serial No. _____
 Date of purchase _____
 Dealer's address _____
 Phone number _____

NOTES

This air conditioner is equipped with cooling, drying and fan functions **[COOL/DRY/FAN]**, cooling, drying, heating and fan functions **[COOL/DRY/HEAT/FAN]**. Details on these functions are provided here following; refer on these descriptions when using the air conditioner. The easy installation double-duct technique is on licence of Olimpia Splendid.

DECLARATION OF CONFORMITY

This product is marked **CE** as it satisfies

Directives.

- Low voltage no. 73/23/CEE and 93/68/CEE.

- Electromagnetic compatibility no.

89/336/CEE, 92/31/CEE and 93/68/CEE.

This declaration will become void in case of

misusage and/or non observance though

partial of Manufacturer's installation and/or

operating instructions.

ALERT SYMBOLS

The following symbols used in this manual, alert you to potentially dangerous conditions to users, service personnel or the appliance:



WARNING

This symbol refers to a hazard or unsafe practice which can result in severe personal injury or death.



CAUTION

This symbol refers to a hazard or unsafe practice which can result in personal injury or product or property damage.

OPERATING LIMITS

COOLING

MAXIMUM CONDITIONS	OUTDOOR TEMPERATURE	43°C D.B.
	ROOM TEMPERATURE	32°C D.B./23°C W.B.

MINIMUM CONDITIONS	OUTDOOR TEMPERATURE	19°C D.B.
	ROOM TEMPERATURE	19°C D.B./14°C W.B.

HEATING

MAXIMUM CONDITIONS	OUTDOOR TEMPERATURE	24°C D.B./18°C W.B.
	ROOM TEMPERATURE	27°C D.B.

MINIMUM CONDITIONS	OUTDOOR TEMPERATURE	-8°C D.B./-9°C W.B.
	ROOM TEMPERATURE	-

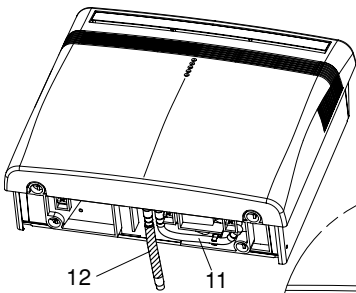
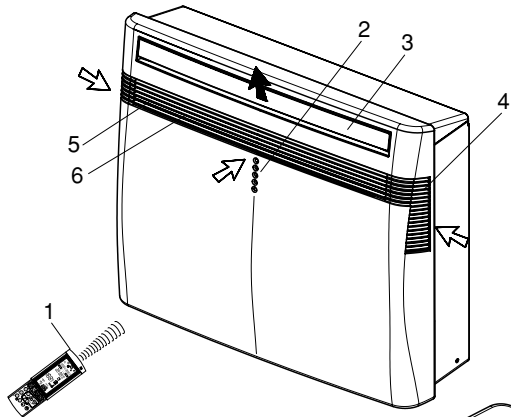
DEHUMIDIFYING (DRY)

MAXIMUM CONDITIONS	OUTDOOR TEMPERATURE	43°C B.S.
	ROOM TEMPERATURE	32°C B.S. / 80% R.H.

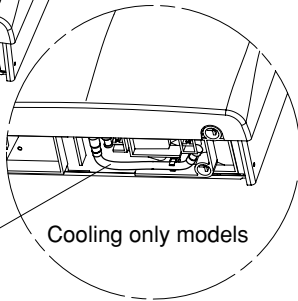
MINIMUM CONDITIONS	OUTDOOR TEMPERATURE	16°C B.S.
	ROOM TEMPERATURE	16°C B.S. / 80% R.H.

PRODUCT IDENTIFICATION

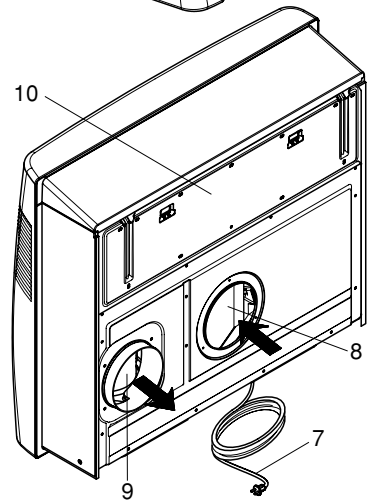
1. Wireless remote control unit
2. Signaling lamps
3. Supply air deflector
4. Lateral air intake grilles
5. Front air intake grille
6. Air filter
7. Electric cable with plug
8. Air inlet hole
9. Air outlet fan
10. Suspension panel
11. Service tube for condensate discharge
12. Tube for condensate discharge (heat pump models)



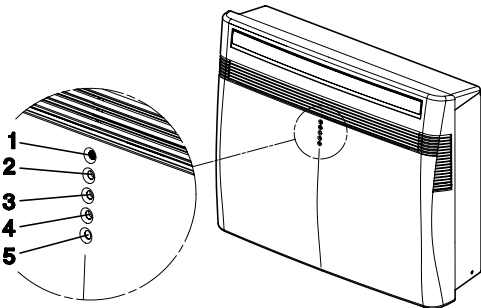
Heat pump models



11 Cooling only models



SIGNALING LAMPS



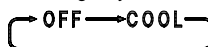
1. **Receiver** : receives signals transmitted from the remote control.
2. **Timer lamp**: This lamp lights up when the system is being controlled by the timer or sleep mode.
3. **Standby lamp**: This lamp lights up when the air conditioner is connected to the power and ready to receive the remote control command.
4. **Operation lamp**: This lamp lights up during operation. It blinks once to announce that the remote control signal has been received and stored. It blinks continuously during the protection modes (defrosting, etc.).
5. **Operation button (without remote control)**: Push the button to change from one operation mode to the other as shown here following.



WARNING

The OFF position does not disconnect the power. Use the main power switch to turn off power completely.

Cooling only models

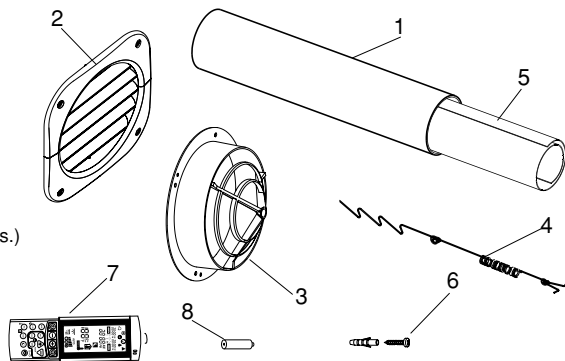


Heat pump models



ACCESSORIES SUPPLIED WITH THE UNIT

1. PLASTIC TUBE (1pcs.)
2. EXTERNAL GRILLES (2pcs.)
3. INTERNAL GRILLES (2pcs.)
4. TENSION BARS (2pcs.)
5. FULL SCALE DIAGRAM (1pcs.)
6. RAWL PLUGS + SCREWS (15pcs.)
7. REMOTE CONTROL UNIT (1pcs.)
8. BATTERIES FOR REMOTE CONTROL (2pcs.)

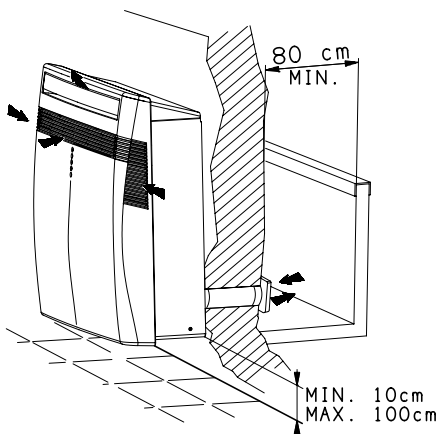


INSTALLATION

The installation should be carried out by a qualified installer, following the instructions as shown.

INSTALLATION SITE SELECTION

- In case you should replace a radiator in an already existing heating system, follow the instruction of the boiler connection kit
- The wall must be a perimeter one.
- Fix the unit at a minimum height of 10 cm and a maximum height of 100 cm.
- Select a sufficiently strong location to support the weight of the unit.
- Allow access for maintenance operation around the unit.
- Make sure that there are no obstacles around the unit affecting the free circulation of air.
- Avoid installing the unit with the air flow directly toward passerby people, electric appliances or heat sources.



CAUTION

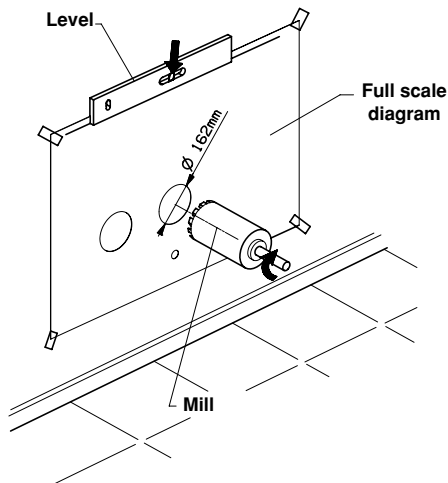
After the selection of the installation site, according to the above mentioned points, be sure not to make holes in areas where electrical wiring or conduits are located, damaging them.

Make sure that there are no obstacles in the conduits inside the wall affecting the free circulation of the external air. The unit must be kept at a minimum distance of 80 cm from any wall or obstacle.

MOUNTING OF THE UNIT

- Apply at the wall the full scale diagram, fix and level it.

- Drill the two holes $\varnothing 162$ mm and eventually the hole $\varnothing 35$ mm in case of heat pump unit for the condensate drainage toward the outside (assure a positive slope toward the outside).



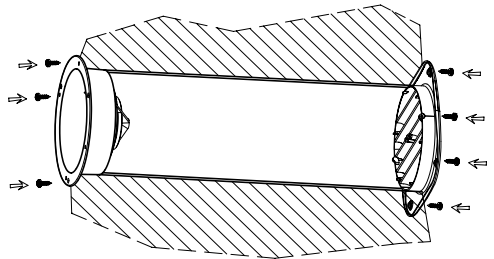
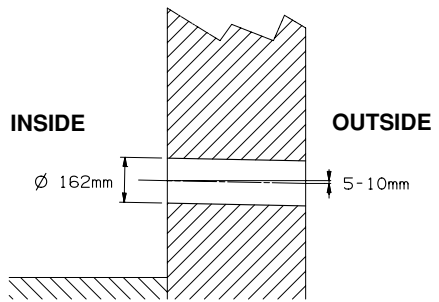
- Insert in the two holes the supplied plastic tube; cut it at the right length: it is necessary to measure the thickness of the wall and subtract 70 mm.

- Fix the two anti-intrusion grilles and the two external grilles with the blades toward the bottom using wall rawl plugs and screws.

- In case it is not possible to fix the two external grilles directly at the wall, hook the two grilles to the internal ones using the supplied tension bars, as follows:

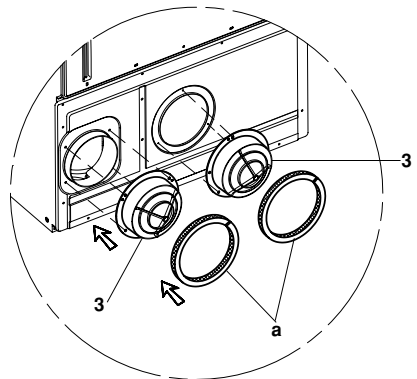
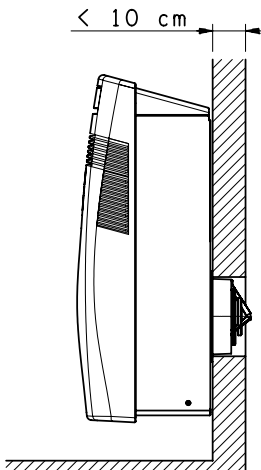
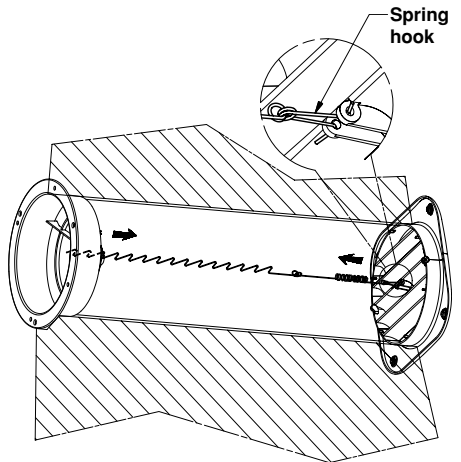
- Bend them, fix the hook of the spring, insert them inside the tube and open them toward the outside.
- Choose the proper hook of the tension bar in order to lengthen the spring of 15-20 mm and hook it to the internal grille.
- Eliminate the exceeding part of the tension bar cutting it near the hooking points.

- In case of very thin walls (less than 10 cm) it is necessary to mount the internal anti-intrusion grilles on the back of the unit removing the gaskets (a) from the back side and applying them around the grilles. The tube and the external grilles will not be used.

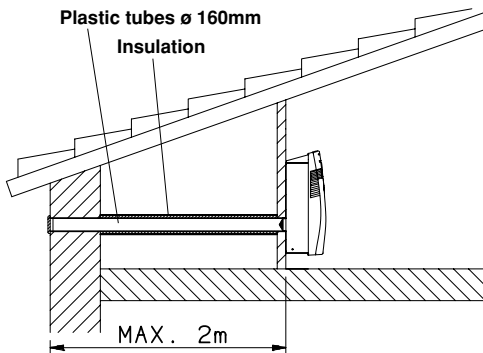


CAUTION

The manufacturer assumes no responsibilities if this safety instruction is not observed.



WARNING! The supplied plastic conduits can be used for wall thickness up to 50 cm; in special cases (i.e. installations in a garret) it can be necessary to utilise longer tubes. The maximum allowable length is 2 m. You can go to any building material retailer, buy the plastic tube of the same diameter ($\varnothing 160$ mm), of the proper length and cover it outside with insulating material (thickness: about 3-4 cm).



EG

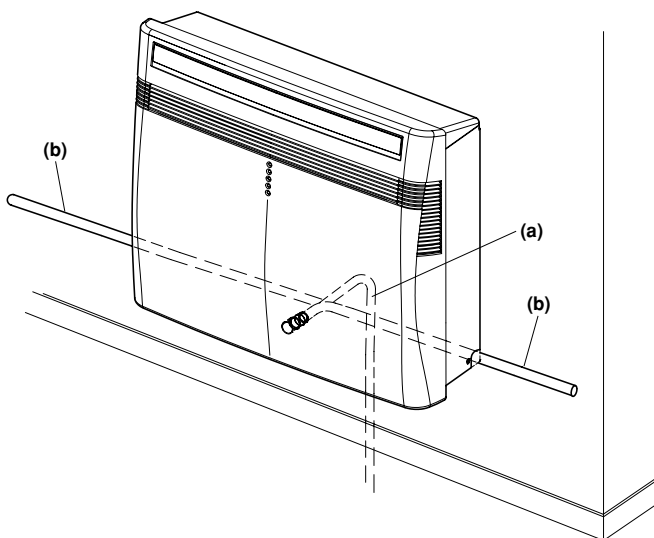
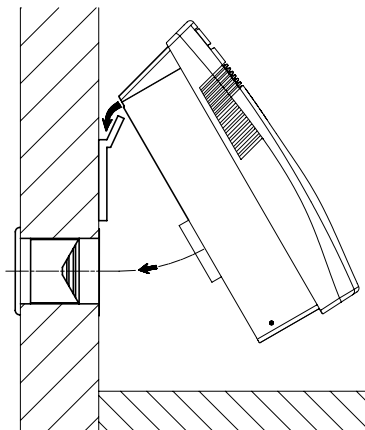
- Fix the suspension panel to the wall in the position indicated on the full scale diagram.
The quantity and the type of rawl plugs (not supplied) depends on the consistence of the wall; do not let any space between the panel and the wall.

- Hang up the unit at the panel inserting the back fan outlet in the grille.

- In case of an heat pump model installation it is necessary to predispose a condensate drainage toward the outside (a) making a hole $\varnothing 35$ mm as indicated on the full scale diagram; if it is not possible, maintain the condensate tube inside (b) and make a proper drainage. Assure always a positive slope of at least 1cm/m.

- Connect the unit inserting the plug in the power socket.

- Verify the correct operation.



BEFORE USING THE APPLIANCE

- Check that the power supply at the location where the air conditioner is going to be used is 220-240V ~ 50Hz .
- Make sure that the electrical installation is suitable to supply continuously current necessary for the air conditioner in addition to that already used by other electric appliances (white goods, lighting). See the max electric input indicated on the name plate positioned on the air conditioner.
- The installation of a double-pole switch, protected by 10 A fuses of the delayed type, upstream the electricity wall socket, is recommended.
- The unit has to be connected according to the local electrical rules.
- Make sure that circuit breakers, fuses, etc, are of sufficient capacity to handle a start-up current of 20 A (generally less than 1 second).
- Do not install the air conditioner where it could be wetted by drops of water (i.e. in laundries).
- Before connecting the air conditioner to a power socket, make sure that the socket is provided with an earth connection in compliance with local codes.
- Never use the power plug as a mean to start or stop the air conditioner: always use the ON/OFF button of the remote control unit or the operation button on the unit.
- **WARNING!** Do not stick anything into the air outlet of the air conditioner. This is very dangerous because the fan is rotating at high speed.
- **WARNING!**
The air conditioner is provided with a time-guard system, which does not allow re-starting of compressor until after 3 minutes from a previous stop.
- Make sure that there are no obstacles around the unit affecting the free circulation of air. Do not block the air intakes and outlet of the unit with curtains or other. Never put objects on the top of the unit.
- When you switch on the air conditioner for the first time, it reaches the maximum efficiency after at least one hour of operation.
- The manufacturer assumes no responsibilities if the safety regulations or local codes are not observed.



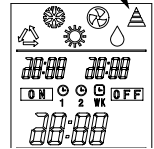
WARNING

Always unplug the unit from the power socket before moving or cleaning it and, in case you should remove it, discharge the eventual condensate water inside the bottom plate.

USING THE REMOTE CONTROL UNIT

NOTE

The remote control unit sends the temperature signal to the air conditioner regularly at two minute intervals. If the signal from the remote control unit stops for more than five minutes due to some troubles, the air conditioner will switch to the temperature sensor which is built into the unit and controls the room temperature. In these cases, the temperature around the remote control unit may differ from the temperature detected in the air conditioner position.



REMOTE CONTROL UNIT DISPLAY

OPERATION WITH THE REMOTE CONTROL UNIT



CAUTION

Check that the circuit breaker on the power panel is turned ON and that the standby lamp is light up.

When using the remote control unit, always point the unit transmitter head directly at the air conditioner receiver.

HOW TO TURN ON THE AIR CONDITIONER

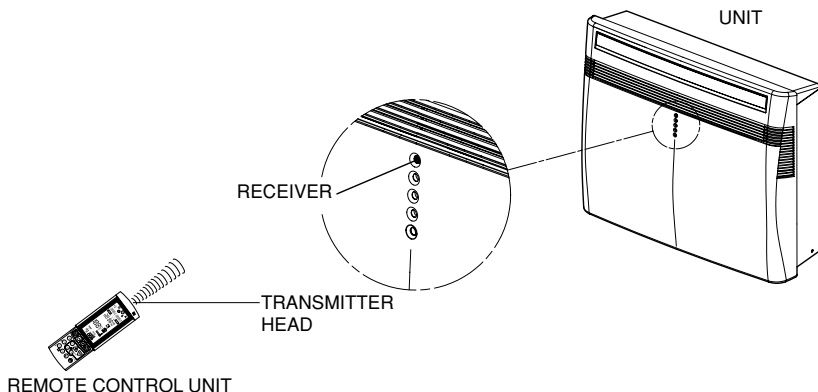
Press the ON/OFF button to turn the air conditioner on. The operation lamp will light up, indicating the unit is in operation.

HOW TO INSTALL BATTERIES

- Remove the lid in the rear part of the remote control unit.
- Insert two AAA alkaline batteries of 1,5 V-DC. Make sure the batteries point in the direction marked in the battery compartment.
- The batteries last about six months. Depending on how much you use the remote control unit. Remove the batteries if you do not use the remote control unit for more than one month. Press the +, -, SET and CLEAR buttons together after batteries replacement. (This operation allows you to reset correctly all the programs. The remote control unit is to be set up again). Replace the batteries when the remote control unit lamp fails to light, or when the air conditioner does not receive the remote control unit signals.
- The batteries of the remote control contain polluted substances exhausted batteries must be disposed according to the laws in force.

TEMPERATURE SENSOR SELECTOR

- Under normal conditions the room temperature is detected and checked by the temperature sensor placed in the air conditioner.
- Press the remote control I FEEL button to activate the temperature sensor placed in the remote control. This function is designed to provide a personalised environment by transmitting the temperature control command from the location next to you. Therefore, in using this function, the remote control should always be aimed, without obstruction, at the air conditioner.



REMOTE CONTROL UNIT

DISPLAY

Information are displayed when the remote control unit is switched on.

Operation Mode

- Automatic
- Cooling
- Heating
- Dehumidification (dry)
- Fan only

Displayed when data transmitted Or remote control unit lock



Shows the type of timer



Displayed when the timer on is set and activated

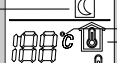


Clock (hours and minutes)

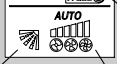


Set temperature or room temperature

Displayed in Sleep Mode Operation



Displayed when the temperature is the room temperature



Indicate that the air conditioner is operating in I FEEL mode



Automatic flap oscillation switched on



Fan speed indication
Automatic fan speed

- High speed
- Medium speed
- Low speed

TRANSMITTER

When you press the buttons of the remote control unit, the mark ▲ appears on the display to transmit the setting changes to the receiver in the air conditioner.

SENSOR

A temperature sensor inside the remote control unit detects the room temperature.

TEMPERATURE SETTING BUTTONS

— (cooler)
Press this button to decrease the set temperature.

+ (warmer)
Press this button to increase the set temperature.

FAN SPEED SELECTOR BUTTON

- AUTO** Fan speed is automatically selected by the microcomputer.
- High speed.
- Medium speed.
- Low speed.

SET BUTTON

Push this button to select the functions:
• set the present time
• set the ON-OFF timer
For detail see "HOW TO SET THE PRESENT TIME" and "SETTING THE TIMER".

TIMER AND PRESENT TIME SETTING BUTTONS

Pushing + or - buttons the setting of the time and timer can be activated. For detail see "HOW TO SET THE PRESENT TIME" and "SETTING THE TIMER".

TIMER BUTTON (timer setting)

Push the TIMER on the display starts the timer ON and OFF setting procedure. For detail see "SETTING THE TIMER".

LOCKING THE REMOTE CONTROL

Pushing this button freezes the last operation setting. When is activated the remote control will not be able to control the air conditioner. To release the lock status push again.

FLAP SPEED SELECTORS

Press this button to select the desired flap sweep function.

- : The flap moves up and down automatically.
- : Every time you push the button the flap moves one step.

TIMER RESET

Push the CLEAR button to cancel all timer setting.

ON/OFF OPERATION BUTTON

This button turns the air conditioner ON and OFF.

MODE SELECTOR BUTTON

Press this button to modify the air conditioner mode.

(automatic) ★

When this setting is selected, the air conditioner calculates the difference between the thermostat setting and the room temperature and automatically switches to the "cool" or "heat" mode.

(heating) ★

The air conditioner makes the room warmer.

dehumidification (dry)

The air conditioner reduces the humidity in the room.

(cooling)

The air conditioner makes the room cooler.

(fan)

The air conditioner circulate the air.

★ **COOL / DRY / HEAT / FAN**

SLEEP BUTTON

For details, see "Sleep mode".

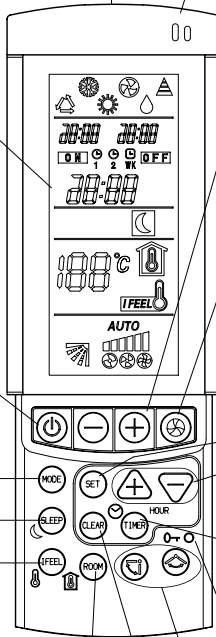
When you press this button in the COOL or DRY mode, the mark appears on the display and the microcomputer in the remote control unit will adjust the set temperature to save energy.

TEMPERATURE SENSOR SELECTOR

Push IFEEL button to activate the temperature control in the remote control unit. This function provides a more comfortable temperature control.

ROOM TEMPERATURE

Push the ROOM button to show the actual room temperature around the remote control.



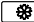
HOW TO SET THE PRESENT TIME

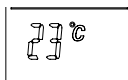
1. Press the SET button for five seconds. The time indication alone flashes.
2. Press the + or - buttons until the present time is displayed.
3. Press the SET button to stop the indication flashing.

COOLING

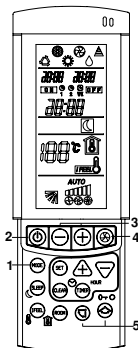
NOTE

Verify that the unit is connected to the main power and the STANDBY lamp is light up.

1. Set the MODE selector to COOL .
2. Press the ON/OFF button and switch the air conditioner ON.
3. Press the TEMP. buttons (3) to set the desired temperature (the temperature range is between 30 °C max. and 16 °C min.).




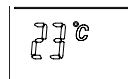
THE DISPLAY SHOWS THE SELECTED TEMPERATURE.



4. Press the FAN SPEED button to select the fan speed.
5. Press the FLAP buttons and adjust the air flow direction as desired (see adjustment of air flow). Make sure that the remote control is switched on. Press the FLAP button to select automatic swing or one of the six manual settings.

HEATING (heat pump)

1. Set the MODE selector to HEAT .
2. Press the ON/OFF button and switch the air conditioner ON.
3. Press the TEMP. buttons (3) to set the desired temperature (the temperature range is between 30 °C max. and 16 °C min.).



THE DISPLAY SHOWS THE SELECTED TEMPERATURE.

4. Press FAN SPEED selector button to the setting you want.
5. Press the FLAP button and adjust the air flow direction as desired (see adjustment of air flow). Make sure that the remote control is switched on. Press the FLAP button to select automatic swing or one of the six manual settings.

NOTE

For several minutes after the start of heating operation, the fan will not run until the heat exchanger coil has warmed up sufficiently. This is because the COLD DRAFT PREVENTION SYSTEM is operating.

During this period the standby lamp will be light up.


DEFROSTING OF EXTERNAL HEAT EXCHANGER

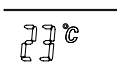
When the outdoor temperature is low, frost or ice may appear on the heat exchanger coil, reducing the heating performance. When this happens, a microcomputer defrosting system operates. At the same time, the fan in the unit stops and the operation lamp is flashing until defrosting is completed. Heating operation restarts after several minutes. (This interval will vary slightly depending on the room and outdoor temperature).

HEATING PERFORMANCE

A heat pump conditioner heats a room by taking heat from outside air. The heating efficiency will fall off when the outdoor temperature is very low. If enough heat is not obtained with this air conditioner, use another heating appliance in conjunction with it.

AUTOMATIC OPERATION

1. Set the MODE selector to AUTO .
2. Press the ON/OFF button and switch the air conditioner ON.
3. Press the TEMP. buttons (3) to set the desired temperature (the temperature range is between 30 °C max. and 16 °C min.).

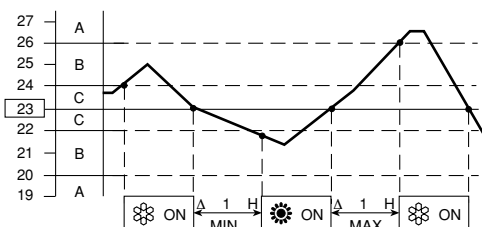


THE DISPLAY SHOWS THE SELECTED TEMPERATURE.

When this setting is selected, the air conditioner calculates the difference between the thermostat setting and the room temperature and automatically switches to the COOL or HEAT mode as appropriate.

4. Switch the FAN SPEED selector button to the setting you want.

Example of operation diagram in the  (Auto) mode with the set room temperature at 23°C.




NOTE

The air conditioner changes the operation mode (from cool to heat or vice versa, if one of the following conditions occurs:

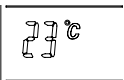
- **ZONE A:** changes if the difference between the room temperature and the temperature set on the remote control unit is at least 3°C.
- **ZONE B:** changes if the difference between the room temperature and the temperature set on the remote control unit is at least 1°C, one hour after the compressor stop.
- **ZONE C:** never changes if the difference between the room temperature and the temperature set on the remote control unit is no more than 1°C.

DEHUMIDIFYING (DRY)

1. Set the MODE selector switch to "DRY" .
2. Press the ON/OFF button and switch the air conditioner ON.
3. Press the TEMP. buttons (3) to set the room temperature (the temperature range is between 30 °C max. and 16 °C min.).

At this point the unit executes cycles of turning ON/OFF automatically.

NOTE: The set room temperature could decrease.




THE DISPLAY SHOWS THE SELECTED TEMPERATURE.

NOTE

- Use DRY operation when you want to reduce the humidity in the room.
- During DRY operation, the fan speed is automatically set to low or stops to prevent overcooling.


FAN ONLY

If you want to make air circulate without any temperature control, follow these steps:

1. Set the MODE selector switch to "FAN" .
2. Press the ON/OFF button and switch the air conditioner ON.

ADJUSTING THE FAN SPEED

AUTOMATIC

Simply set the FAN SPEED selector to the  position. A microcomputer automatically controls the fan speed when the AUTO mode is selected. When the air conditioner starts operating, the difference between the room temperature and the set temperature is detected by the microcomputer which then automatically switches the fan speed to the most suitable level.

NOTE

In FAN Only mode the fan speed is adjusted automatically as in cooling mode.




WHEN DIFFERENCE BETWEEN ROOM TEMPERATURE AND SET TEMPERATURE IS		FAN SPEED
Cooling and dehumidifying modes:	2 °C and over	High
	Between 2 and 1 °C	Medium
	Below 1 °C	Low
Heating mode:	2 °C and over	High
	Below 2 °C	Medium

NOTE

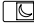
The above mentioned data make reference to the conditioner operating when the sensor on the remote control unit is ON. (Refer to temperature sensor selector). If the sensor on the unit is being used then actual operation will slightly differ from that described in the above tables.

MANUAL

If you want to manually adjust speed just set the FAN SPEED selector as desired.

 High speed  Med. speed  Low speed

SLEEP MODE

- The SLEEP mode enables you to save energy.
1. Set the MODE selector to cool, dry or heat.
 2. Press the SLEEP button.
 3. The  mark appears on the display. Press the SLEEP button again to release the SLEEP function.

What does the SLEEP mode mean?

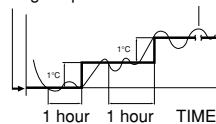
In this mode, the air conditioner will cool or heat the room to the set temperature, and then the thermostat will make the unit pause. After about 1 hour, the air conditioner will automatically reset the set temperature as follows (also refer to graphs).

OPERATING MODE	SET TEMPERATURE CHANGE
Heating	Lowered by 1 °C
Cooling and Dehumidifying	Raised by 1 °C

When the room temperature reaches the new set value, the thermostat will cause the unit to pause. After about 1 hour the temperature will be raised by 1 °C in cooling, or lowered by 1 °C in heating. This enables you to save energy without sacrificing your comfort.

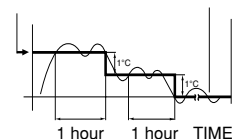
COOLING AND DEHUMIDIFYING

Setting temperature Room temperature



HEATING

Setting temperature Room temperature



SETTING THE TIMER

There are four timers that can be selected on the remote control. Two daily timers (designated as T1, T2), and two optional weekend timers (designated as WKT1, WKT2). Each timer can be selected by pressing TIMER button.

The daily timers T1 and T2 can be set for ON and OFF separately for two different time periods.

Timer setting will not change until new setting is input.

The weekend timers WKT1 and WKT2 can be set for ON and OFF separately for two different time periods and they are effective two days only. These timers will be effective on the day of setting and on the day after only.

At 24:00 on the second day, the WK timer will not be effective anymore and the daily timer will be effective again.

WKT1 - effective on the setting day

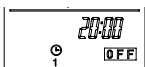
WKT2 - effective one day after the setting day.

NOTE:

1. During the weekend timer operation, the daily timers will be disabled.
2. The WK timers must be reactivated before every weekend.

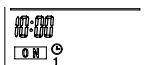
A) HOW TO SET THE OFF TIME

1. Press the TIMER button to select the desired timer.
2. Press the SET and CLEAR buttons till the OFF sign blinks.
3. Press the + or - (HOUR) button until the desired value is displayed.
4. Press the SET button to activate the timer.



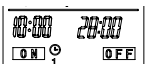
B) HOW TO SET THE ON TIME

1. Press the TIMER button to select the desired timer.
2. Press the SET button till the ON sign blinks.
3. Press the + or - (HOUR) button until the desired value is displayed.
4. Press the SET and CLEAR buttons to activate the timer.



C) HOW TO SET A PROGRAM FOR DAILY ON/OFF OPERATION (OR VICEVERSA)

1. Press the TIMER button to select the desired timer.
2. Press the SET button till the ON sign blinks.
3. Press the + or - (HOUR) button until the desired value is displayed.
4. Press the SET button again, the OFF sign blinks.
5. Press the + or - (HOUR) button until the desired value is displayed.
6. Press the SET button to activate the timer.



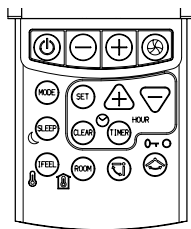
D) HOW TO CLEAR THE TIMER

1. Press the TIMER button to select the timer.
2. Press the CLEAR button if you want that every timer operation will be cleared.



NOTE

If the procedure to set the timer is not completed, by pushing the SET button, within 15 seconds the timer operation will be cancelled and the last set-up is restored.





ADJUSTING THE AIR FLOW DIRECTION

HORIZONTAL (manual)

The horizontal air flow can be adjusted by moving the vertical vanes to the left or right, as indicated in the following figures.

VERTICAL (with remote control unit)

The remote control gives you the possibility to control the flap in two way:

1. Push the  button to start the flap sweep.
If you push again the flap stops immediately.
2. Push the  button to move the flap step by step.



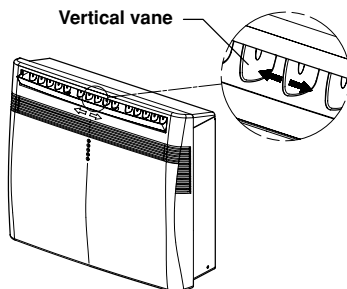
CAUTION

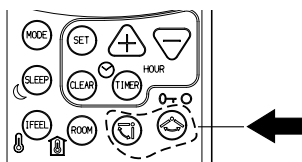
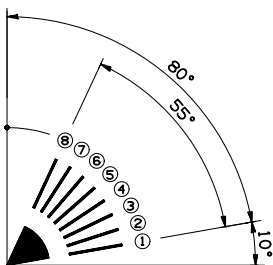
Set vertical vanes to the front position during COOLING/DRY operation if humidity is high. If the vertical vanes are set to the left-most or right-most position, condensation will form around the air outlet and drip off.



CAUTION

Do not move the flap with your hands when the air conditioner is running.





Sweep function

The flap starts moving up and down to deliver air over the sweep range.

NOTES

- The flap automatically closes when the unit is off.
- During the heating operation the flap position changes according to the settings specified with the remote control.



CAUTION

- Use the **FLAP** button on the remote control to adjust the position of the flap. If you move the flap by hand, the factual flap position and the flap position on the remote control may no longer match. If this should happen, shut off the unit, wait for the flap to close, and then turn on the unit again; the flap position will now be normal again.

HOW TO DISCHARGE THE CONDENSATE WATER

The Humidity removed by the unit is collected and discharged automatically, but in special conditions some condensate water could remain inside the unit.

If you are not going to make use of the air conditioner for a long period, it is necessary to discharge the eventual condensate water through the service tube for condensate discharge placed under the bottom of the unit.

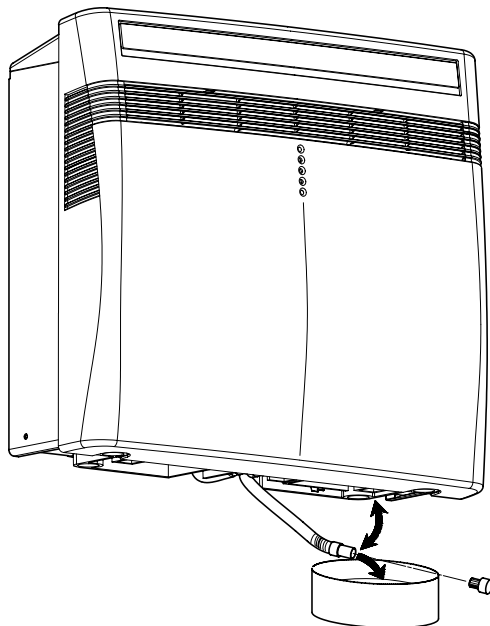
IMPORTANT

At the end of the operation close the tube with its stopper.



WARNING

- Always switch off the air conditioner before unplugging it from the power socket.
- Always unplug the air conditioner before discharging the condensate water collected inside.



OPERATION WITHOUT THE REMOTE CONTROL UNIT

If you have lost the remote control unit or it has troubles, follow the steps below.

1. WHEN THE AIR CONDITIONER IS STOPPED

If you want to turn on the air conditioner push the operation button with a pen to select the desired mode (COOL or HEAT).

NOTE

The air conditioner will start in automatic fan speed and flap sweep operation. The temperature setting is 22°C for cooling mode and 28°C for heating mode.

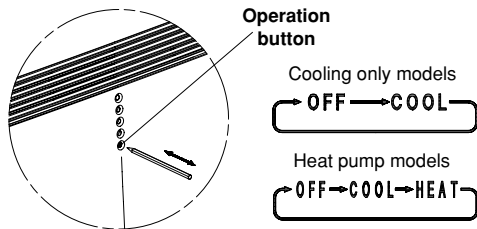
2. WHEN THE AIR CONDITIONER IS RUNNING

If you want to turn off the air conditioner push the operation button with a pen until the operation lamp is turned off.

NOTE

Power failure during operation.

In the event of power failure, the unit will stop. When the power is resumed, the unit will restart automatically after 3 minutes.



TIPS FOR ENERGY SAVING

DO NOT:

- Block the air intake and outlet of the unit. If they are obstructed, the unit will not work well, and may be damaged.
 - Let direct sunlight into the room. Use sunshades, blind or curtain.
- #### DO:
- Always try to keep the air filter clean. A clogged filter will impair the performance of the unit.
 - To prevent conditioned air from escaping, keep windows, doors and any other openings closed.
 - The room temperature is above 16°C for cooling and dehumidification mode.

TROUBLESHOOTING



WARNING

- The use of portable telephones near the air conditioner may cause disturbance to its normal operation and must be avoided. In case abnormal operation is noticed, (OPR operation lamp lights (4) but the air conditioner will not run) to restore normal operation turn-off electric supply for 60 seconds at least, by disconnecting the main switch or the wall plug, then start again the air conditioner.
- If your air conditioner does not work properly, first check the following points before requesting service. If it still does not work properly, contact your dealer or service centre.

Trouble: the air conditioner does not run at all.

Possible cause:

- Power failure.
- Leakage breaker tripped.
- Line voltage is too low.
- Operation button is OFF.
- Batteries in remote control unit have run down.
- The selector of the boiler connection kit is not in the right position.

Remedy:

- Restore power.
- Contact service centre.
- Consult your electrician or dealer.
- Press the button again.
- Replace batteries.
- Put the selector in the position with the symbol "air conditioner".

Trouble: The air conditioner **does not operate** and standby lamp (3) flashes .

Possible cause:

- Defective sensor.

Remedy:

- Contact service centre.

Trouble: Timer lamp (2) flashes and the air conditioner does not operate.

Possible cause:

- Trouble in wiring system.

Remedy:

- Contact service centre.

Trouble: Compressor runs but soon stops.

Possible cause:

- Obstruction of the air intake grilles.

Remedy:

- Remove obstruction.

Trouble: Poor cooling or heating performance.

Possible cause:

- Dirty or clogged air filters.
- Heat source or many people in room.
- Doors and/or windows are open.
- Obstacle near air intake or air discharge port.
- The set temperature on the remote control unit is too high.
- Outdoor temperature is too low (heat pump version).
- Defrosting system does not work (heat pump version).

Remedy:

- Clean air filters to improve airflow.
- Eliminate heat source if possible.
- Shut them to keep the heat or cold out.
- Remove it to ensure good airflow.
- Set the right temperature on the remote control unit.
- Try to use a back-up heater.
- Consult your dealer.

Trouble: Operation lamp (4) flashes, the fan operates, while the compressor stops.

Possible cause:

- Safety float switch operating due to excessive condensate in the unit.

Remedy:

- Discharge the condensate (see paragraph "HOW TO DISCHARGE THE CONDENSATE WATER").

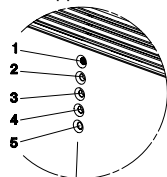
Trouble: Clicking sound is heard from the air conditioner.

Possible cause:

- During operation, any plastic parts may expand or shrink due to a sudden temperature change. In this event, a clicking sound may occur.

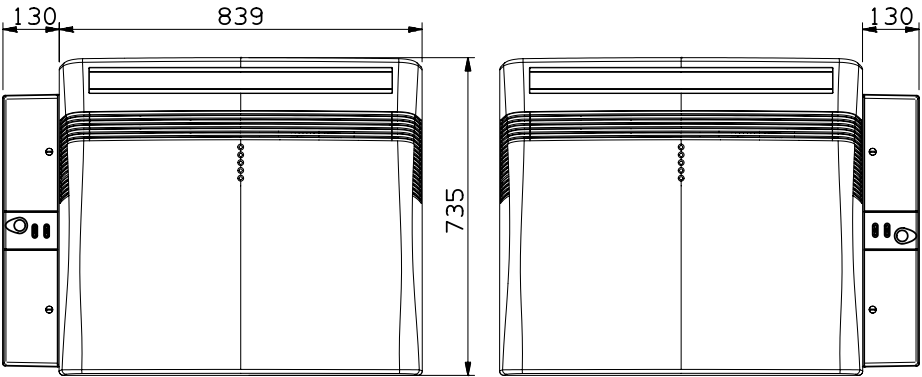
Remedy:

- This is normal, and the sound will disappear when an even temperature is settled.



BOYLER CONNECTION KIT (ONLY FOR 245C-235H MODELS)

The unit is predisposed to replace a radiator in an already existing heating system. It is necessary to buy the boiler connection kit that can be installed on both side of the unit according of the position of the water connections.



CARE AND CLEANING

WARNING! For safety's sake, be sure to turn the air conditioner OFF and also disconnect it from the power supply before cleaning it.

1. Cleaning of the Air Filter

The air filter must be checked at least once every two weeks operation. Operation with a dirty filter always causes a lower efficiency of the air conditioner and severe product damage. The filter is located at the back of the front intake grille: open the grille pulling downward the two hooks, grasp the air filter and pull upwards. Use a vacuum cleaner to remove light dust. If there is sticky dust on the filter, wash it with lukewarm soapy water, then rinse in clean, cold water and dry it before reinstallation.

2. Cleaning of Casing and Grilles.

To clean the air conditioner, wipe it with a clean soft cloth, lightly moistened. In case it is stained, moisten the cloth with soapy water. Never use solvents or harsh chemicals, nor very hot water. Do not pour water over the air conditioner to clean it: this will damage the internal components and cause an electric shock hazard.

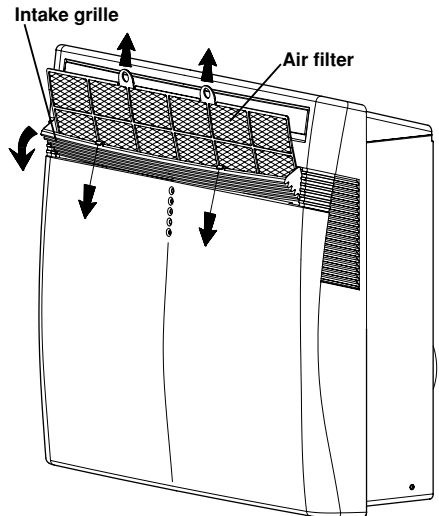
3. After use.

If you are not going to make use of the air conditioner for a long period, clean the air filter and verify that there is no condensate water inside the bottom of the unit (see paragraph "HOW TO DISCHARGE THE CONDENSATE WATER"). Do not put heavy objects on top of the unit.

4. Transport.

Keep the air conditioner in the vertical position during transportation.

5. For your safety care check periodically the conditions of the electric supply cable; the electrical connection of the unit is Y type with cable prepared in a special way; in case you should notice any damage due to usage, call the nearest After Sale Service to get the cable replaced.



NO!

INDICE

IL PRODOTTO	3
SEGNALAZIONI	3
ACCESSORI A CORREDO	4
INSTALLAZIONE	4
PRIMA DI USARE IL CLIMATIZZATORE	7
USO DEL TELECOMANDO	8
TELECOMANDO	9
COME REGOLARE L'OROLOGIO	10
RAFFREDDAMENTO	10
RISCALDAMENTO	10
FUNZIONAMENTO IN AUTOMATICO	10
DEUMIDIFICAZIONE	11
VENTILAZIONE	11
SCELTA VELOCITÀ VENTILATORE	11
PROGRAMMA NOTTURNO	11
REGOLAZIONE DEL TIMER	12
REGOLAZIONE DEL FLUSSO D'ARIA	12
COME SVUOTARE L'ACCUMULO DI CONDENSA	13
FUNZIONAMENTO SENZA TELECOMANDO	14
CONSIGLI PER IL MASSIMO CONFORT E IL MINIMO CONSUMO	14
IDENTIFICAZIONE E SOLUZIONE PROBLEMI DI FUNZIONAMENTO	14
KIT PER IL RISCALDAMENTO AD ACQUA CALDA	15
MANUTENZIONE E CURA	15



INFORMAZIONE PER IL CORRETTO SMALTIMENTO DEL PRODOTTO AI SENSI DELLA DIRETTIVA EUROPEA 2002/96/CE

Alla fine della sua vita utile questo apparecchio non deve essere smaltito insieme ai rifiuti domestici.

Deve essere consegnato presso appositi centri di raccolta differenziata oppure presso i rivenditori che forniscono questo servizio.

Smaltire separatamente un apparecchio elettrico ed elettronico consente di evitare possibili effetti negativi sull'ambiente e sulla salute umana derivanti da uno smaltimento inadeguato e permette di recuperare e riciclare i materiali di cui è composto, con importanti risparmi di energia e risorse.

Per sottolineare l'obbligo di smaltire separatamente queste apparecchiature, sul prodotto è riportato il simbolo del cassonetto barrato.

Lo smaltimento abusivo del prodotto da parte dell'utente comporta l'applicazione delle sanzioni amministrative di cui al D.Lgs. n. 22/1997 (articolo 50 e successivi).

— INFORMAZIONI RIGUARDANTI IL PRODOTTO —

In caso di difficoltà o se si hanno dei dubbi riguardo al climatizzatore d'aria, sono necessarie le seguenti informazioni. Il modello e il numero di serie si trovano sulla targhetta dati, applicata all'unità.

Modello _____
 No. di serie _____
 Data di acquisto _____
 Indirizzo del rivenditore _____
 Numero di telefono _____

NOTE

Questo climatizzatore d'aria è dotato delle funzioni di raffreddamento, deumidificazione e ventilazione **COOL/DRY/FAN**, di raffreddamento, deumidificazione, riscaldamento e ventilazione **COOL/DRY/HEAT/FAN**. I dettagli su queste funzioni sono forniti di seguito. La tecnica a doppio tubo ad installazione facilitata è su licenza di Olimpia Splendid.

DICHIARAZIONE DI CONFORMITÀ
Questo prodotto è marcato CE in quanto conforme alle Direttive.
- Bassa tensione n. 73/23/CEE e 93/68/CEE.
- Compatibilità elettromagnetica n. 89/336/CEE, 92/31/CEE e 93/68/CEE.
Questa dichiarazione sarà nulla nel caso di impiego diverso da quello dichiarato dal Fabbricante e/o di mancata osservanza, anche solo parziale, delle istruzioni d'installazione e/o d'uso.

— SIMBOLI DI AVVERTIMENTO —

I seguenti simboli sono usati in questo manuale per mettere in guardia l'utente ed il personale di servizio sulle condizioni potenziali di pericoli personali o di danni al prodotto.



AVVERTIMENTO

Questo simbolo si riferisce a pericoli o a interventi che possono causare ferite gravi o la morte.



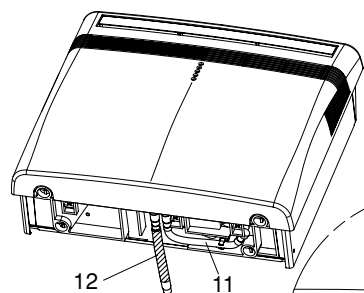
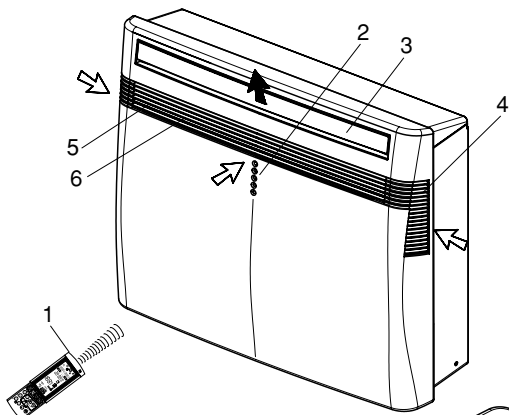
PRECAUZIONE

Questo simbolo si riferisce a pericoli o a interventi che possono causare danni al prodotto.

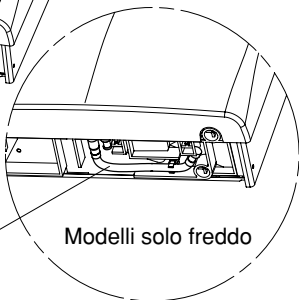
LIMITI DI FUNZIONAMENTO			
RAFFREDDAMENTO			
CONDIZIONI MASSIME	TEMPERATURA ESTERNA	43°C B.S.	
	TEMPERATURA INTERNA	32°C B.S./23°C B.U.	
CONDIZIONI MINIME	TEMPERATURA ESTERNA	19°C B.S.	
	TEMPERATURA INTERNA	19°C B.S./14°C B.U.	
RISCALDAMENTO			
CONDIZIONI MASSIME	TEMPERATURA ESTERNA	24°C B.S./18°C B.U.	
	TEMPERATURA INTERNA	27°C B.S.	
CONDIZIONI MINIME	TEMPERATURA ESTERNA	-8°C B.S./-9°C B.U.	
	TEMPERATURA INTERNA	-	
DEUMIDIFICAZIONE			
CONDIZIONI MASSIME	TEMPERATURA ESTERNA	43°C B.S.	
	TEMPERATURA INTERNA	32°C B.S. / 80% U.R.	
CONDIZIONI MINIME	TEMPERATURA ESTERNA	16°C B.S.	
	TEMPERATURA INTERNA	16°C B.S. / 80% U.R.	

IL PRODOTTO

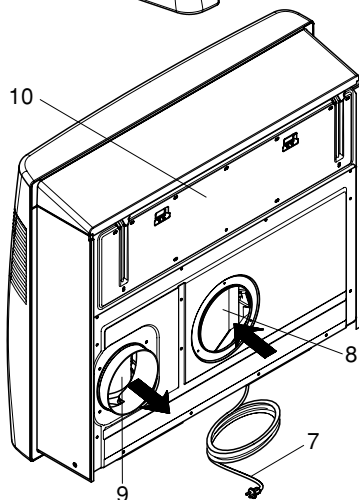
1. Telecomando a raggi infrarossi
2. Segnalazioni
3. Deffettore mandata aria
4. Griglie aspirazione aria laterali
5. Griglia aspirazione aria frontale
6. Filtro Aria
7. Cavo elettrico con spina
8. Foro entrata dell'aria
9. Ventilatore di espulsione aria
10. Pannello di appensione
11. Tubo di servizio scarico condensa
12. Tubo scarico condensa (modelli pompa di calore)



Modelli pompa di calore

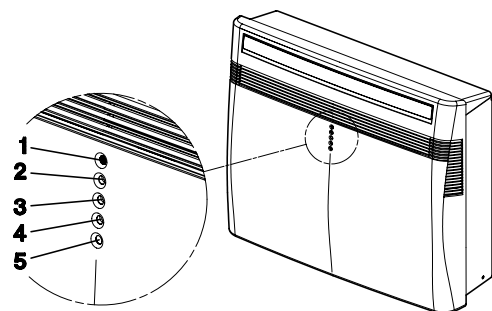
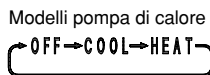
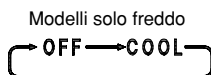


Modelli solo freddo



SEGNALAZIONI

1. **Ricevitore:** riceve i segnali inviati dal telecomando.
2. **Spia timer:** si accende quando l'unità è controllata dal timer o dal programma notturno.
3. **Spia attesa:** Si accende quando il climatizzatore è collegato alla corrente ed è pronto a ricevere il segnale dal telecomando.
4. **Spia funzionamento:** si accende quando l'unità è in funzione.
Lampeggia una volta per avvisare che il segnale del telecomando è stato ricevuto e memorizzato. Lampeggia continuamente durante le funzioni di protezione (sbrinamento, ecc.).
5. **Tasto funzionamento (senza telecomando):** Premere questo tasto per passare da una funzione all'altra come segue:

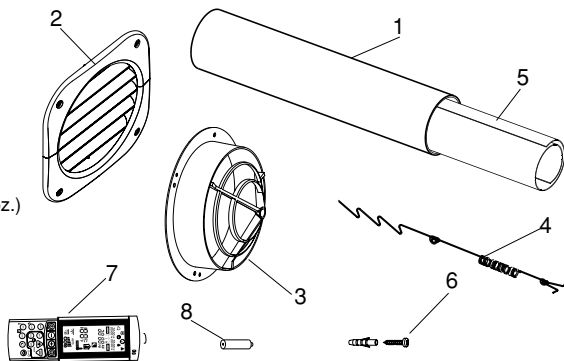


AVVERTIMENTO

La posizione OFF non interrompe l'alimentazione elettrica. Usate l'interruttore principale per isolare il climatizzatore d'aria.

ACCESSORI A CORREDO

1. TUBO IN PLASTICA (1pz.)
2. GRIGLIE ESTERNE (2pz.)
3. GRIGLIE INTERNE (2pz.)
4. TIRANTI A MOLLA (2pz.)
5. DIMA DI FORATURA (1pz.)
6. TASSELLI AD ESPANSIONE + VITI (15pz.)
7. TELECOMANDO A RAGGI INFRAROSSI (1pz.)
8. BATTERIE PER TELECOMANDO (2pz.)

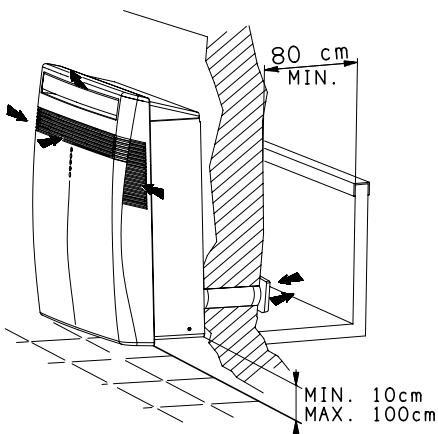


INSTALLAZIONE

L'installazione deve essere eseguita da personale specializzato rispettando la sequenza di operazioni indicate.

SCELTA DELLA POSIZIONE DELL'UNITA'

- Nel caso di installazione sostitutiva di un termosifone in un impianto preesistente, seguire le istruzioni contenute nel modulo aggiuntivo
- La parete deve essere perimetrale.
- Fissare l'unità ad un'altezza minima di 10 cm e massima di 100 cm.
- Assicurarsi che la parete scelta sia sufficientemente robusta per sostenere il peso dell'unità.
- Lasciare attorno all'unità spazio sufficiente per le operazioni di manutenzione.
- Assicurarsi che non ci siano ostacoli alla libera circolazione dell'aria nelle vicinanze dell'unità.
- Evitare di installare l'unità in modo che il flusso d'aria sia indirizzato direttamente a persone, verso elettrodomestici o fonti di calore.



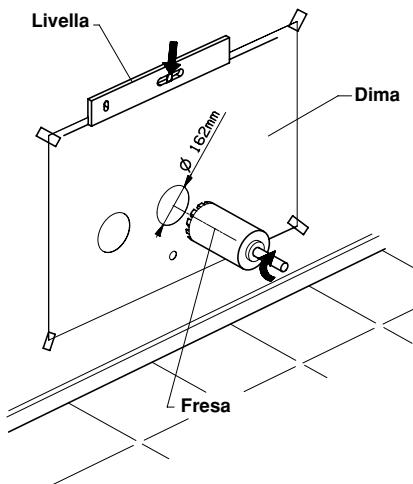
PRECAUZIONE

Dopo aver scelto secondo i criteri sopra elencati la posizione per l'installazione, assicurarsi che nei punti in cui verranno praticati i fori non vi siano strutture o impianti (tubazioni idrauliche, collegamenti elettrici) che potrebbero essere danneggiati.

Controllare inoltre che non vi siano impedimenti alla libera circolazione dell'aria esterna attraverso i condotti nella parete. La minima distanza da eventuali pareti od ostacoli deve essere di 80 cm.

MONTAGGIO DELL'UNITA'

- Applicare sul muro la dima di foratura e fissarla in bolla.
- Eseguire i due fori $\varnothing 162$ mm ed eventualmente il foro $\varnothing 35$ mm per l'unità a pompa di calore per lo scarico condensa all'esterno (predisporre una pendenza verso l'esterno).



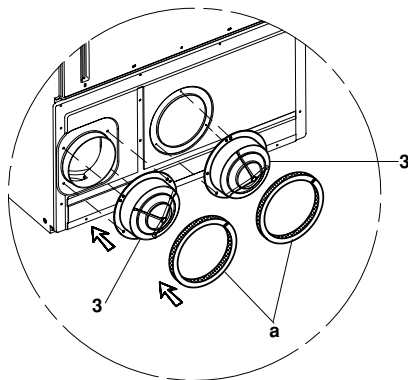
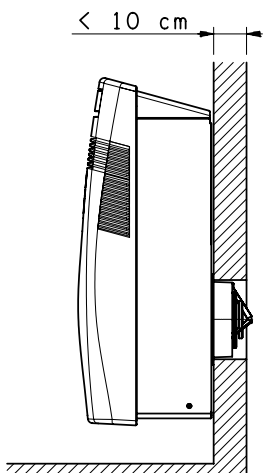
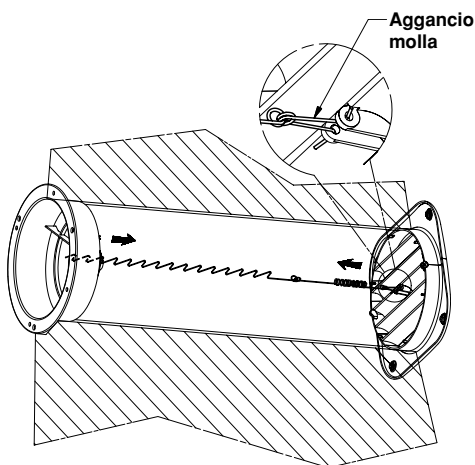
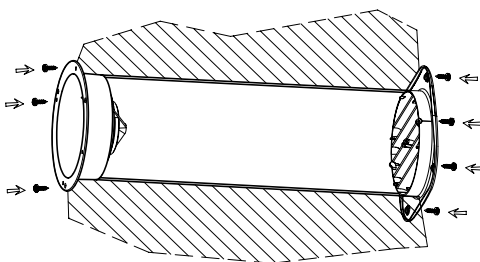
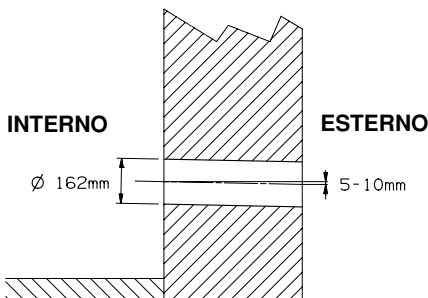
- Inserire nei due fori il tubo di plastica fornito a corredo; tagliare il tubo alla giusta misura: è necessario rilevare lo spessore del muro e sottrarre 70 mm.
- Fissare le due griglie anti-intrusione e all'esterno le due griglie con le alette rivolte verso il basso con tasselli e viti a muro.
- Qualora non fosse possibile fissare le due griglie esterne direttamente al muro, vincolare le due griglie a quelle interne tramite i tiranti a molla forniti a corredo, come segue:
 - a) Piegarle su se stesse, fissare il gancio della molla, infilarle nel tubo e aprirle verso l'esterno.
 - b) Scegliere l'aggancio del tirante più idoneo in modo che la molla risulti allungata di 15-20 mm ed agganciarlo alla griglia interna.
 - c) Eliminare la parte eccedente del tirante tranciando in prossimità dei punti di aggancio.

- Nel caso di pareti molto sottili (meno di 10 cm) è necessario montare le griglie interne anti-intrusione sul retro dell'unità togliendo le guarnizioni (a) dallo schienale e applicandole intorno alle griglie. Il tubo e le griglie esterne non verranno utilizzati.

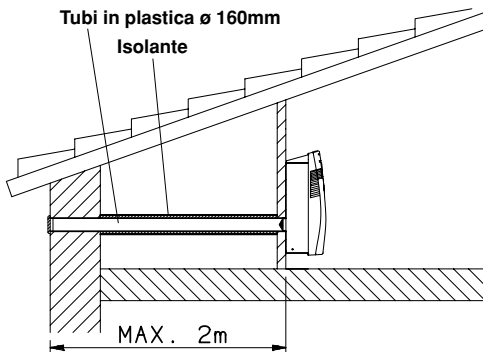


PRECAUZIONE

Il costruttore non si assume responsabilità alcuna nel caso in cui questa prescrizione di sicurezza e antinfortunistica non venga rispettata.



N.B. I condotti in plastica in dotazione sono adatti per pareti fino a 50 cm di spessore; in casi particolari (ad esempio l'installazione in un sottotetto) può essere necessario utilizzare tubi più lunghi. La lunghezza massima consentita è di 2 m. Acquistare presso rivenditori di materiale edile il tubo in plastica dello stesso diametro ($\varnothing 160\text{mm}$), di lunghezza opportuna e isolarlo esternamente con lana di roccia di spessore di circa 3-4 cm.



I - Fissare il pannello di appensione a muro nella posizione indicata sulla dima di foratura.

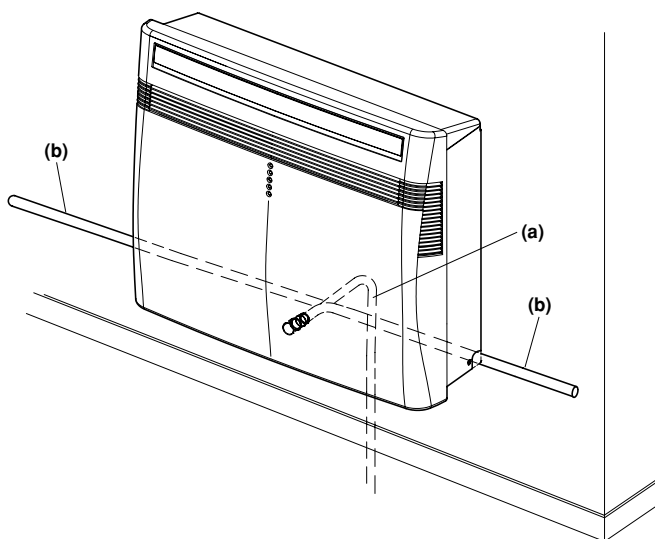
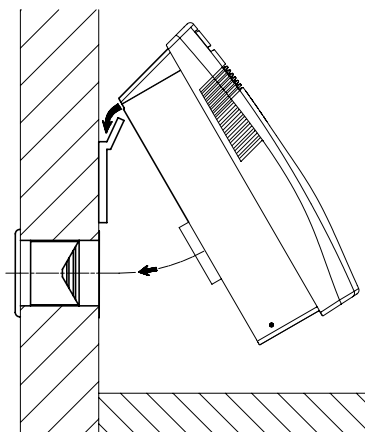
Utilizzare tipologia e quantità di tasselli (non forniti) a secondo della consistenza del muro; il pannello deve risultare bene aderente alla parete.

- Appendere l'unità al pannello con la bocca del ventilatore posteriore inserita nella griglia

- Nel caso di installazione di un modello a pompa di calore è necessario predisporre una linea di scarico condensa praticando un foro $\varnothing 35\text{ mm}$ come indicato sulla dima di foratura per scarico all'esterno (a); qualora non fosse possibile, tenere il tubo all'interno (b) e confluire in uno scarico opportuno. Predisporre sempre un'adeguata pendenza di almeno 1cm al metro.

- Collegare l'unità alla rete elettrica tramite il cavo di alimentazione con spina.

- Verificare il corretto funzionamento.



PRIMA DI USARE IL CLIMATIZZATORE

- Verificare che la tensione monofase di alimentazione nel luogo di utilizzo sia di 220V-240V~ 50Hz.
- Assicuratevi che l'impianto elettrico sia in grado di erogare la corrente di esercizio necessaria per il climatizzatore oltre a quella assorbita normalmente da altre utenze (elettrodomestici, illuminazione). Vedere gli assorbimenti massimi sulla targhetta dati posta sul climatizzatore.
- Si raccomanda l'installazione di un interruttore bipolare, con fusibile di protezione da 10 A del tipo ritardato, a monte della presa d'alimentazione.
- L'allacciamento alla rete elettrica del climatizzatore deve essere eseguito in conformità alle norme d'installazione vigenti.
- Assicuratevi che interruttori automatici e valvole di protezione dell'impianto siano in grado di sopportare una corrente di spunto di 20 A, (normalmente per un tempo inferiore a 1 secondo).
- Evitare di installare il climatizzatore in locali dove potrebbe essere investito da spruzzi d'acqua (es. lavanderie).
- La presa dell'impianto deve essere sempre provvista di messa a terra efficiente.
- Non usare mai la spina come mezzo per arrestare o avviare il climatizzatore: usare sempre il pulsante ON / OFF del telecomando oppure il selettore di funzionamento sull'unità.
- **PRECAUZIONE!** Non inserite oggetti nel climatizzatore. È molto pericoloso perché il ventilatore gira ad alta velocità.
- **ATTENZIONE!**
Il climatizzatore è dotato di un sistema di protezione del compressore dai sovraccarichi che non consente la partenza del compressore se non sono trascorsi almeno 3 minuti da un precedente arresto.
- Assicurare la libera circolazione dell'aria all'unità. Non ostruire con tendaggi o simili le griglie di aspirazione e quella di mandata. La parte superiore deve essere libera da qualsiasi ostacolo, non depositare oggetti sul climatizzatore.
- Alla prima accensione, il climatizzatore raggiunge le massime prestazioni dopo almeno un'ora di funzionamento.
- Il costruttore non si assume responsabilità alcuna nel caso in cui le norme di sicurezza e antinfortunistiche non vengano rispettate.



AVVERTIMENTO

Prima di eseguire una qualsiasi operazione di spostamento o pulizia, assicuratevi che la spina sia disinserita dalla presa di corrente e, nel caso di rimozione, scaricare l'eventuale accumulo di condensa nel basamento.

USO DEL TELECOMANDO

INSERIMENTO DELLE BATTERIE

- Rimuovere il coperchio sul retro del telecomando.
- Inserire due batterie da 1,5 V-DC tipo AAA alcaline. Rispettare la polarità come indicato sul telecomando.
- La durata media delle batterie è di sei mesi e dipende dalla frequenza con cui si usa il telecomando.

Rimuovere le batterie nel caso di lungo inutilizzo del telecomando (oltre un mese).

Premere contemporaneamente i pulsanti +, -, SET e CLEAR dopo aver sostituito le batterie.

(Questa operazione permette di azzerare correttamente tutti i programmi. Il telecomando va nuovamente impostato).

Sostituire le batterie quando la spia di trasmissione dati del telecomando non lampeggia oppure quando il climatizzatore non risponde ai comandi del telecomando.

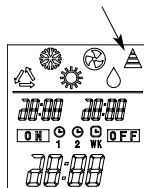
- Le batterie del telecomando contengono sostanze inquinanti. Terminata la loro vita utile, devono essere smaltite secondo le vigenti normative.

SELETTORE DEL SENSORE DI TEMPERATURA

- In condizioni normali la temperatura ambiente viene rilevata e controllata dal sensore di temperatura posizionato all'interno del climatizzatore.
- Premere il pulsante I FEEL per attivare il sensore di temperatura posizionato nel telecomando. Questa funzione permette di creare una temperatura ambiente ottimale perché il telecomando trasmette la temperatura dalla posizione in cui vi trovate. Quindi, usando questa funzione, il telecomando deve sempre essere indirizzato verso il climatizzatore.

NOTA

Il telecomando trasmette il segnale della temperatura al climatizzatore d'aria regolarmente a intervalli di due minuti. Se il segnale dal telecomando si arresta per più di cinque minuti a causa di inconvenienti, il climatizzatore d'aria si commuta automaticamente sul sensore della temperatura, incorporato nell'unità, che controlla la temperatura ambiente. In questi casi la temperatura vicino al telecomando può differire dalla temperatura rilevata nella posizione del climatizzatore d'aria.



VISORE TELECOMANDO

FUNZIONAMENTO CON IL TELECOMANDO



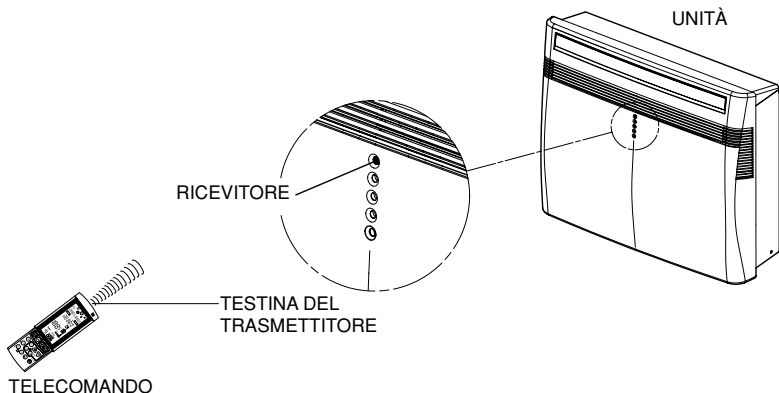
PRECAUZIONE

Controllare che l'interruttore generale sull'alimentazione sia su ON e che la spia attesa sia accesa.

Indirizzare il telecomando con la testina del trasmettitore rivolta verso il ricevitore posto sul climatizzatore d'aria.

COME ACCENDERE IL CLIMATIZZATORE

Premere il tasto ON/OFF per accendere il climatizzatore. La spia funzionamento si accenderà, ad indicare che l'unità è in funzione.



TELECOMANDO

VISORE

Visualizza le informazioni quando il telecomando è acceso.

Modo di funzionamento

- Automatico
- Raffreddamento
- Riscaldamento
- Deumidificazione
- Ventilazione

Conferma trasmissione dati al climatizzatore o bloccaggio telecomando

Timer inserito su acceso

Orologio (ore o minuti)

Programma notturno

Oscillazione automatica deflettore inserito

Indica i tipi di timer

Timer inserito su spento

Temperatura impostata o temperatura ambiente

Appare se la temperatura e la temperatura ambiente

Indica che il climatizzatore funziona in modalità I FEEL

Velocità ventilatore

- Automatico
- Alta velocità
- Media velocità
- Bassa velocità

TRASMETTITORE

Quando vengono premuti i pulsanti del telecomando, il simbolo si accende sul visore per trasmettere i cambiamenti della regolazione al ricevitore del climatizzatore.

SENSORE

Un sensore di temperatura all'interno del telecomando rileva la temperatura ambiente.

PULSANTI SELEZIONE TEMPERATURA

- (più freddo)

Premere questo pulsante per diminuire la temperatura selezionata.

+ (più caldo)

Premere questo pulsante per aumentare la temperatura selezionata.

PULSANTE FAN SPEED

(velocità ventilatore)

La velocità del ventilatore viene scelta automaticamente dal microprocessore.

- Alta velocità ventilatore.
- Media velocità ventilatore.
- Bassa velocità ventilatore.

PULSANTE SET

Premere questo pulsante per selezionare le funzioni:

- impostazione dell'ora
 - impostazione del timer ON/OFF
- Per dettagli vedere le sezioni "COME REGOLARE L'OROLOGIO" e "REGOLAZIONE DEL TIMER".

PULSANTI REGOLAZIONE OROLOGIO E IMPOSTAZIONE ORARIO TIMER

Premendo i pulsanti + o - viene attivata l'impostazione dell'ora e del timer. Per dettagli vedere le sezioni "COME REGOLARE L'OROLOGIO" e "REGOLAZIONE DEL TIMER".

PULSANTE TIMER (impostazione timer)

Premendo il pulsante TIMER sul display viene attivata la procedura per l'impostazione ON/OFF del timer. Per dettagli vedere esempio "REGOLAZIONE DEL TIMER".

BLOCCAGGIO TELECOMANDO

Premendo questo pulsante il telecomando si blocca all'ultima impostazione. Quando è attiva il telecomando non è in grado di controllare il climatizzatore. Per sbloccare il telecomando premere di nuovo .

SELETTORI VELOCITÀ DEFFLETTORE

Premere questi pulsanti per selezionare la funzione deflettore desiderata

- : il deflettore oscilla automaticamente
- : ogni volta che premete questo tasto il deflettore si sposta di una posizione.

AZZERAMENTO TIMER

Premere il pulsante CLEAR per annullare tutte le impostazioni del timer

PULSANTE ON/OFF (accesso/spento)

Il pulsante serve per mettere in funzione o arrestare il climatizzatore.

PULSANTE MODO DI FUNZIONAMENTO

Premere questo pulsante per modificare il funzionamento del climatizzatore.

(automatico) *

Quando viene scelta la posizione "automatico" il microprocessore sceglie automaticamente tra raffreddamento e riscaldamento in base alla differenza tra la temperatura ambiente e quella impostata sul telecomando.

(raffreddamento) *

Il climatizzatore riscalda il locale.

(deumidificazione)

Il climatizzatore riduce l'umidità dell'aria ambiente.

(riscaldamento)

Il climatizzatore raffredda l'aria abbassando la temperatura del locale.

(ventilazione)

Il climatizzatore funziona solo come ventilatore.

* **COOL/DRY/HEAT/FAN**

Pulsante SLEEP

(programma notturno)

Per i dettagli vedere "Programma notturno".

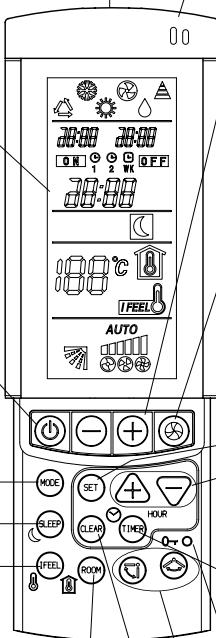
Quando si preme questo pulsante nella modalità RAFFREDDAMENTO o DEUMIDIFICAZIONE il segno appare sul visore, e il microprocessore del telecomando regolerà la temperatura selezionata per risparmiare energia.

SELETTORE SENSORE DI TEMPERATURA

Premere il pulsante I FEEL per attivare il sensore di temperatura posizionato nel telecomando. Questa funzione permette di creare una temperatura ambiente ottimale.

TEMPERATURA AMBIENTE

Premere il pulsante ROOM per visualizzare la temperatura ambiente vicino al telecomando



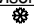
COME REGOLARE L'OROLOGIO

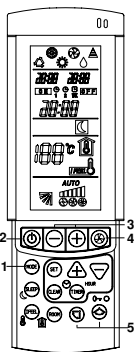
1. Premere il pulsante SET per cinque secondi. Lampeggia solo l'indicazione dell'ora.
2. Premere i pulsanti + o - finché viene visualizzata l'ora attuale.
3. Premere il pulsante SET e l'indicazione smette di lampeggiare.

RAFFREDDAMENTO

NOTA

Verificare che l'unità sia collegata alla corrente e che la spia attesa sia accesa.


1. Premere il pulsante MODE (modo di funzionamento) fino a far apparire sul visore il simbolo RAFFREDDAMENTO .
2. Premere il pulsante ON/OFF e mettere in funzione il climatizzatore.
3. Premere i pulsanti TEMP. (3) per impostare la temperatura desiderata (il campo di regolazione varia tra 30 °C massimo e 16 °C minimo).



IL VISORE INDICHERÀ IL VALORE DELLA TEMPERATURA SELEZIONATA.

4. Premere il pulsante FAN SPEED per impostare la velocità ventilatore.
5. Premere il pulsante FLAP e regolare la direzione del flusso d'aria nel modo desiderato. (V. "Regolazione del flusso d'aria").

RISCALDAMENTO (in pompa di calore)

1. Premere il pulsante MODE (modo di funzionamento) fino a far apparire sul visore il simbolo RISCALDAMENTO .
2. Premere il pulsante ON/OFF e mettere in funzione il climatizzatore.
3. Premere i pulsanti TEMP. (3) per impostare la temperatura desiderata (il campo di regolazione varia tra 30 °C massimo e 16 °C minimo).



IL VISORE INDICHERÀ IL VALORE DELLA TEMPERATURA SELEZIONATA.

4. Premere il pulsante FAN SPEED per impostare la velocità ventilatore.
5. Premere il pulsante FLAP e regolare la direzione del flusso d'aria nel modo desiderato. (V. "Regolazione del flusso d'aria").

NOTA

Dopo l'attivazione della funzione riscaldamento, il ventilatore si fermerà. Questo perché è operativa una protezione "Prevenzione corrente aria fredda" che abiliterà il funzionamento del ventilatore solo dopo che lo scambiatore di calore sarà sufficientemente caldo. Durante questo periodo la spia attesa rimarrà accesa.

SBRINAMENTO DELLA BATTERIA ESTERNA

Quando la temperatura esterna scende sotto lo zero sulla batteria esterna si forma del ghiaccio che riduce la potenzialità in riscaldamento.

Quando questo accade il microprocessore comanda un'inversione del funzionamento del climatizzatore (sbrinamento).


Con questa funzione operativa il ventilatore dell'unità si ferma e la spia funzionamento lampeggia.

Il funzionamento in riscaldamento riprende dopo alcuni minuti in relazione alle temperature ambiente ed esterna.

FUNZIONAMENTO E CAPACITÀ DI UN SISTEMA IN "POMPA DI CALORE"

Un climatizzatore in versione pompa di calore riscalda l'ambiente sottraendo il calore all'aria esterna. La capacità (efficienza) del sistema si riduce quando la temperatura esterna scende sotto lo zero. Se il climatizzatore non riesce a mantenere un valore sufficiente della temperatura si dovrà integrare il riscaldamento con un'altra apparecchiatura.

FUNZIONAMENTO IN AUTOMATICO


1. Premere il pulsante MODE (modo di funzionamento) fino a far apparire sul Visore il simbolo AUTOMATICO .
2. Premere il pulsante ON/OFF e mettere in funzione il climatizzatore.
3. Premere i pulsanti TEMP. (3) per impostare la temperatura desiderata (il campo di regolazione varia tra 30 °C massimo e 16 °C minimo).

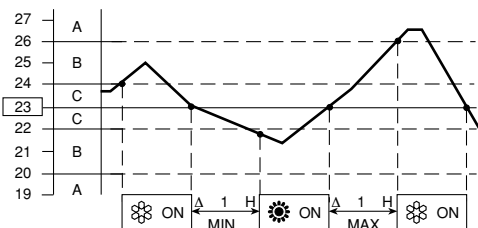


IL VISORE INDICHERÀ IL VALORE DELLA TEMPERATURA SELEZIONATA.

Il climatizzatore automaticamente funzionerà passando dal funzionamento riscaldamento in raffreddamento (o viceversa) in modo da mantenere la temperatura impostata.

4. Premere il pulsante FAN SPEED per impostare la velocità ventilatore.

Esempio: schema funzionamento in modalità  (Auto) con temperatura ambiente impostata a **23 gradi**.




NOTA

Il climatizzatore cambia il modo di funzionamento (da freddo a caldo o viceversa) al verificarsi di una delle seguenti condizioni:

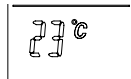
- **ZONA A:** cambia se la temperatura varia di almeno 3°C da quella impostata sul telecomando.
- **ZONA B:** cambia se la temperatura varia di almeno 1°C da quella impostata sul telecomando dopo un'ora dallo stop del compressore.
- **ZONA C:** non cambia mai se la temperatura non varia più di 1°C rispetto a quella impostata sul telecomando.

DEUMIDIFICAZIONE

1. Premere il pulsante MODE (modo di funzionamento) fino a far apparire sul visore il simbolo DEUMIDIFICAZIONE .
2. Premere il pulsante ON/OFF e mettere in funzione il climatizzatore.
3. Premere i pulsanti TEMP. (3) per impostare la temperatura ambiente (il campo di regolazione varia tra 30 °C massimo e 16 °C minimo).

A questo punto il climatizzatore esegue in automatico dei cicli di acceso/spento.

NOTA: La temperatura ambiente potrebbe abbassarsi rispetto a quella impostata.



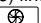
IL VISORE INDICHERÀ IL VALORE DELLA TEMPERATURA SELEZIONATA.

NOTA

- Usare la funzione deumidificazione quando volete ridurre l'umidità dell'aria ambiente.
- Con la funzione deumidificazione impostata, il ventilatore automaticamente gira alla velocità bassa o si ferma per evitare di raffreddare troppo.

VENTILAZIONE

Se si vuole soltanto far circolare aria nel locale senza modificare la temperatura, operare come segue:

1. Premere il pulsante MODE (modo di funzionamento) fino a far apparire sul visore il simbolo VENTILAZIONE .
2. Premere il pulsante ON/OFF e mettere in funzione il climatizzatore.

SCELTA VELOCITÀ VENTILATORE

AUTOMATICO

Impostare **AUTO** con il pulsante FAN SPEED. Il microprocessore controllerà automaticamente la velocità del ventilatore. Quando il climatizzatore comincia a funzionare il sensore temperatura rileva la differenza tra la temperatura ambiente e la temperatura impostata e la trasmette al microprocessore che automaticamente sceglie la velocità del ventilatore più idonea.

NOTA

In modalità VENTILAZIONE la velocità del ventilatore è regolata automaticamente come in modalità raffreddamento.

DIFFERENZA TRA TEMPERATURA AMBIENTE E TEMPERATURA IMPOSTATA		VELOCITÀ VENTILATORE
Raffreddamento e deumidificazione	2 °C e oltre	Massima
	Tra 2 e 1 °C	Media
	Meno di 1 °C	Minima
Riscaldamento	2 °C e oltre	Massima
	Meno di 2 °C	Media

NOTA


I valori precisati in tabella si riferiscono al funzionamento del climatizzatore quando è abilitato il sensore sul telecomando (v. selettore del sensore di temperatura). I valori precisati variano leggermente nel caso sia abilitato il sensore posizionato nell'unità.

MANUALE

Per regolare manualmente la velocità del ventilatore agire sul pulsante FAN SPEED scegliendo la velocità desiderata:

 Alta velocità  Media velocità  Bassa velocità

PROGRAMMA NOTTURNO

- Il programma notturno serve per risparmiare energia elettrica.
1. Premere il pulsante MODE per predisporre il climatizzatore in raffreddamento, deumidificazione o riscaldamento.
 2. Premere il pulsante SLEEP.
 3. Il simbolo  appare sul visore. Per riasciare il programma premere nuovamente il pulsante SLEEP.

Cos'è il Programma Notturno?

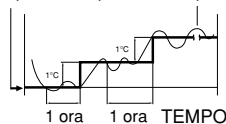
All'inizio il climatizzatore raffredda o riscalda il locale fino alla temperatura impostata (SET TEMP), quindi si arresta. Dopo circa 1 ora la temperatura impostata viene automaticamente modificata come segue (v. grafici).

MODO DI FUNZIONAMENTO	MODIFICA TEMPERATURA IMPOSTATA
Riscaldamento	Diminuzione di 1 °C
Raffreddamento e Deumidificazione	Aumento 1 °C

Il climatizzatore funziona fino alla nuova temperatura impostata, quindi si arresta. Dopo circa 1 ora la temperatura impostata viene nuovamente aumentata di 1°C in raffreddamento e diminuita di 1°C in riscaldamento. In questo modo si risparmia energia senza pregiudicare il comfort notturno nel locale.

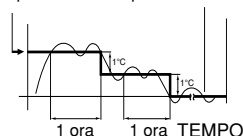
RAFFREDDAMENTO E DEUMIDIFICAZIONE

Temperatura impostata Temperatura ambiente



RISCALDAMENTO

Temperatura impostata Temperatura ambiente



REGOLAZIONE DEL TIMER

Il climatizzatore è dotato di quattro timer che possono essere selezionati col telecomando. Due timer giornalieri (designati come T1, T2) e due timer opzionali per il fine settimana (designati come WKT1, WKT2). Ogni timer può essere selezionato premendo il pulsante TIMER.

I timer T1 e T2 possono essere impostati su ON e OFF separatamente, per due differenti periodi di tempo. Le impostazioni del timer rimarranno invariate finché non saranno inserite nuove impostazioni.

I timer per il fine settimana WKT1 e WKT2 possono essere impostati su ON e OFF separatamente, per due differenti periodi di tempo, per due soli giorni consecutivi. Questi timer saranno validi solo nel giorno dell'impostazione e nel giorno successivo.

Alle 24:00 del secondo giorno, i timer WK non saranno più validi ed interverranno i timer giornalieri.

WKT1 - effettivo nel giorno dell'impostazione

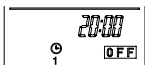
WKT2 - effettivo il giorno successivo al giorno dell'impostazione

NOTA:

1. Durante l'operazione del temporizzatore di fine settimana, i temporizzatori giornalieri saranno disattivati.
2. I temporizzatori WK devono essere riattivati prima di ogni fine settimana.

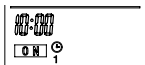
A) COME REGOLARE L'ORA DI FERMATA (OFF)

1. Premere il pulsante TIMER per selezionare il timer desiderato.
2. Premere i pulsanti SET e CLEAR fino a quando l'indicazione OFF lampeggia.
3. Premere i pulsanti + o - (ORA) finché viene visualizzato il valore desiderato.
4. Premere il pulsante SET per attivare il timer.



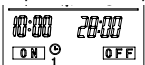
B) COME REGOLARE L'ORA DI PARTENZA (ON)

1. Premere il pulsante TIMER per selezionare il timer desiderato.
2. Premere il pulsante SET fino a quando l'indicazione ON lampeggia.
3. Premere i pulsanti + o - (ORA) finché viene visualizzato il valore desiderato.
4. Premere i pulsanti SET e CLEAR per attivare il timer.



C) COME REGOLARE IL PROGRAMMA GIORNALIERO ACCESO/SPENTO (O VICEVERSA)

1. Premere il pulsante TIMER per selezionare il timer desiderato.
2. Premere il pulsante SET fino a quando l'indicazione ON lampeggia.
3. Premere i pulsanti + o - (ORA) finché viene visualizzato il valore desiderato.
4. Premere di nuovo il pulsante SET, il segnale OFF lampeggia.
5. Premere i pulsanti + o - (ORA) finché viene visualizzato il valore desiderato.
6. Premere il pulsante SET per attivare il timer.



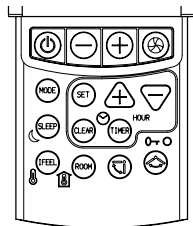
D) COME AZZERARE IL TIMER

1. Premere il pulsante TIMER per selezionare il timer.
2. Premere il pulsante CLEAR se volete cancellare tutte le impostazioni del timer.



NOTA

Se la procedura di impostazione del timer non viene completata, entro 15 secondi premendo il pulsante SET, sarà annullata e rimarrà in memoria l'ultima impostazione.



REGOLAZIONE DEL FLUSSO D'ARIA

ORIZZONTALE (manuale)

Il flusso d'aria può essere regolato orizzontalmente spostando le alette verticali verso sinistra o verso destra come indicato nelle figure successive.

VERTICALE (con telecomando)

Con il telecomando si può regolare il deflettore in due modi:

1. Premere il pulsante per fare oscillare il deflettore. Premendo ancora, il deflettore si ferma immediatamente.
2. Premere il pulsante per muovere il deflettore passo per passo.



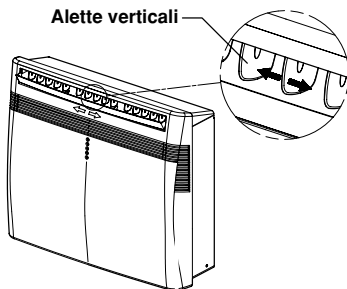
PRECAUZIONE

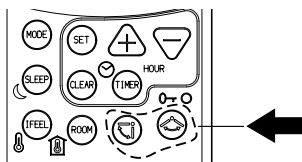
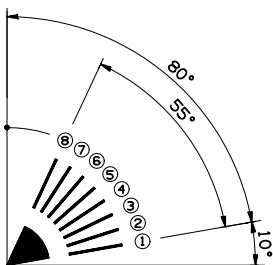
Durante il raffreddamento o la deumidificazione, specialmente in presenza di alta umidità in ambiente, orientare frontalmente le alette verticali. Orientamento delle alette all'estrema sinistra o destra potrebbero causare la formazione di condensa e gocciolamenti dalla griglia di uscita aria.



PRECAUZIONE

Non muovete il deflettore con le mani durante il funzionamento





- Funzione di indirizzamento dell'aria**
 Il deflettore comincia il movimento oscillatorio per diffondere l'aria entro la zona di indirizzamento.

NOTA

- Il deflettore si chiude automaticamente quando il sistema è spento.
- Durante il funzionamento di riscaldamento, il deflettore si posiziona secondo i parametri impostati sul telecomando.



PRECAUZIONE

- Usate il pulsante **FLAP** sul telecomando per regolare la posizione del deflettore. Se spostate il deflettore a mano, la posizione del deflettore secondo il telecomando e la posizione reale potrebbero non corrispondere. Se ciò accadesse spegnete il sistema, aspettate che il deflettore si chiuda e poi accendete di nuovo il climatizzatore; ora la posizione del deflettore è di nuovo normale.

COME SVUOTARE L'ACCUMULO DI CONDENZA

L'umidità asportata dall'unità viene raccolta e smaltita autonomamente, ma in particolari condizioni potrebbe verificarsi un accumulo. Ogni volta si preveda un lungo periodo d'inattività è necessario svuotare l'eventuale condensa accumulata tramite l'apposito tubo di servizio posto sotto il basamento.

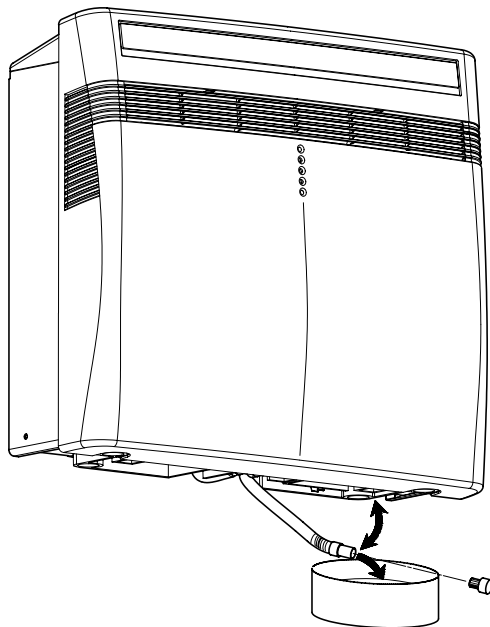


AVVERTIMENTO

- Arrestate sempre il climatizzatore prima di togliere la spina dalla presa.
- Staccate sempre la spina prima di scaricare la condensa raccolta all'interno dell'apparecchio.

IMPORTANTE

A lavoro ultimato richiudere il tubetto con l'apposito tappo.



FUNZIONAMENTO SENZA TELECOMANDO

Se il telecomando non funziona o è stato smarrito, operare come segue.

1. CLIMATIZZATORE FERMO

Se volete avviare il climatizzatore premere il tasto funzionamento con una penna per selezionare la modalità desiderata (COOL o HEAT).

NOTA

Il climatizzatore si avvierà con la velocità automatica del ventilatore e con il deflettore in oscillazione.

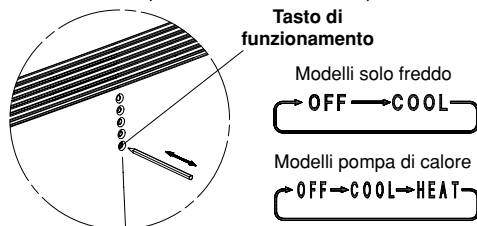
L'impostazione della temperatura è di 22°C per la modalità raffreddamento e di 28°C per il riscaldamento.

2. CLIMATIZZATORE IN FUNZIONE

Se volete fermare il climatizzatore premere il tasto funzionamento con una penna fino allo spegnimento della spia funzionamento.

NOTA

Interruzione di corrente durante il funzionamento. Se si verifica un'interruzione di corrente, il climatizzatore d'aria si arresta. Quando l'alimentazione elettrica viene ripristinata il climatizzatore riparte automaticamente dopo 3 minuti.



CONSIGLI PER IL MASSIMO COMFORT ED UN MINIMO CONSUMO

EVITARE:

- Di ostruire le griglie di mandata e aspirazione dell'unità, se queste sono ostruite l'unità non lavora correttamente e potrebbe danneggiarsi.
- L'irraggiamento diretto in ambiente usando tende parasole esterne oppure tirando le tende interne.

VERIFICARE:

- Che il filtro aria sia sempre pulito. Un filtro sporco diminuisce il passaggio dell'aria e riduce la resa dell'unità.
- Che porte e finestre siano chiuse per evitare infiltrazione di aria non condizionata.
- Che la temperatura ambiente sia superiore a 16°C per la funzione raffreddamento e in deumidificazione.

IDENTIFICAZIONE E SOLUZIONE PROBLEMI DI FUNZIONAMENTO



AVVERTIMENTO

- L'uso di telefoni cellulari in prossimità del climatizzatore deve essere evitato perché può causare disturbi al regolare funzionamento dello stesso. Qualora fosse notato questo funzionamento anomalo (la spia di funzionamento (4) si accende, ma il climatizzatore non funziona) ripristinare il normale funzionamento togliendo l'alimentazione elettrica per circa 60 secondi, tramite l'interruttore generale o la spina, quindi rimettete in funzione il climatizzatore.

- Se il vostro climatizzatore non funziona regolarmente, prima di chiamare il Servizio Assistenza eseguite i controlli sottoelencati. Se il problema permane, contattare il Rivenditore o il Servizio Assistenza.

Difetto: Il climatizzatore è completamente fermo.

Possibile causa:

1. Alimentazione interrotta.
2. Interruttore automatico aperto o fusibile interrotto.
3. Tensione di linea troppo bassa.
4. Il pulsante di avviamento è nella posizione OFF.
5. Batterie del telecomando scariche.
6. Il selettore sul modulo aggiuntivo per il riscaldamento ad acqua non è nella posizione corretta.

Rimedio:

1. Ripristinare l'alimentazione.
2. Contattare il Servizio Assistenza.
3. Consultare il vostro elettricista.
4. Premere il pulsante di avviamento ON/OFF.
5. Sostituire le batterie.
6. Posizionare il selettore nella posizione corrispondente al simbolo "climatizzatore".

Difetto: Il climatizzatore **non funziona** e la spia attesa (3) lampeggia.

Possibile causa:

1. Sonda difettosa.

Rimedio:

1. Contattare il Servizio Assistenza.

Difetto: La spia timer (2) lampeggia ed il climatizzatore non funziona.

Possibile causa:

1. Problemi sul collegamento elettrico.

Rimedio:

1. Contattare il Servizio Assistenza.

Difetto: Il compressore si mette in moto, ma dopo pochi minuti si arresta.

Possibile causa:

1. Griglie di aspirazione ostruite.

Rimedio:

1. Rimuovere l'ostruzione.

Difetto: Il condizionatore non raffredda o non riscalda a sufficienza.

Possibile causa:

1. Filtri sporchi o ostruiti.
2. Carico termico eccessivo.
3. Porte o finestre aperte.
4. Ostruzione in prossimità della ripresa o della mandata d'aria.
5. Temperatura impostata sul telecomando troppo alta.
6. Temperatura aria esterna molto bassa (versione pompa calore).
7. Il sistema di sbrinamento sull'unità esterna in riscaldamento non funziona (versione pompa calore).

Rimedio:

1. Pulire i filtri.
2. Eliminare sorgenti di calore in eccesso.
3. Chiudere porte e finestre.
4. Rimuovere le ostruzioni per ripristinare una corretta circolazione d'aria.
5. Ritirare la temperatura impostata sul telecomando.
6. Usare un'altra fonte di calore aggiuntiva.
7. Contattare il Servizio Assistenza.

Difetto: La spia funzionamento (4) lampeggia, il ventilatore funziona, mentre il compressore è fermo.

Possibile causa:

1. Intervento del microgalleggiante di sicurezza per eccessivo accumulo di condensa.

Rimedio:

1. Svuotare le condensa (v. paragrafo "COME SVUOTARE L'ACCUMULO DI CONDENSA").

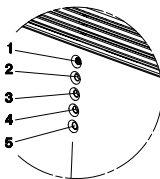
Difetto: Il climatizzatore emette dei leggeri scricchiolii.

Possibile causa:

1. Durante il funzionamento con il variare della temperatura le parti in plastica subiscono delle dilatazioni che causano questo inconveniente.

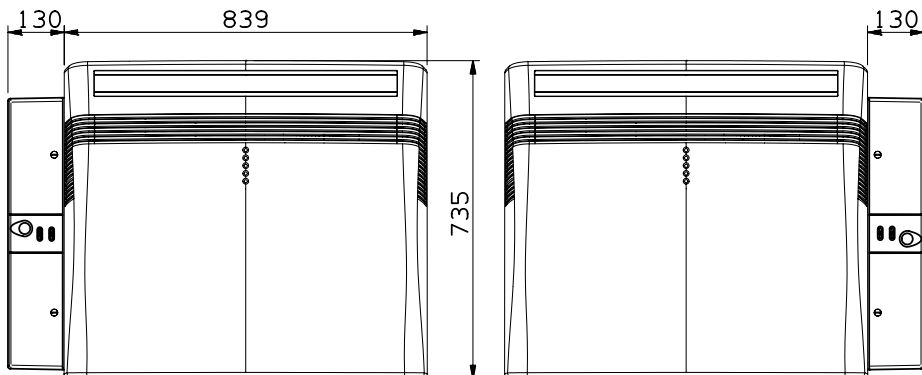
Rimedio:

1. Situazione da ritenersi normale; i leggeri scricchiolii percepiti scompariranno allo stabilizzarsi della temperatura.



KIT PER IL RISCALDAMENTO AD ACQUA CALDA (SOLO PER MODELLI 245C-235H)

L'apparecchio è predisposto per la sostituzione di un termosifone in un impianto preesistente. E' necessario l'acquisto dell'apposito modulo aggiuntivo il quale può essere installato su entrambi i lati del climatizzatore a seconda della posizione degli attacchi dell'acqua.



MANUTENZIONE E CURA

ATTENZIONE! Prima di procedere a operazioni di pulizia e manutenzione togliere la spina dalla presa di corrente.

1. Pulizia del filtro d'aria

Il filtro deve essere controllato almeno una volta ogni due settimane di funzionamento. Il funzionamento con filtro sporco o intasato causa sempre una diminuzione dell'efficienza del climatizzatore e può provocare inconvenienti gravi. Il filtro è collocato dietro la griglia d'aspirazione frontale: aprite la griglia tirando verso il basso i due agganci, afferrate gli occhielli del filtro e tirate verso l'alto. Usate un aspirapolvere per asportare la polvere. Se ciò non fosse sufficiente lavate il filtro con acqua tiepida leggermente saponata, sciacquatelo con acqua fredda e lasciatelo asciugare prima di reinserirlo.

2. Pulizia involucro e griglie.

Per pulire il climatizzatore strofinatelo con un panno soffice, leggermente inumidito. Per togliere eventuali macchie usate acqua saponata. Non usate solventi, benzina o altri composti chimici aggressivi, né acqua molto calda. Non versate acqua sul climatizzatore per pulirlo: potreste danneggiare i componenti interni o provocare un corto circuito.

3. Dopo l'utilizzo.

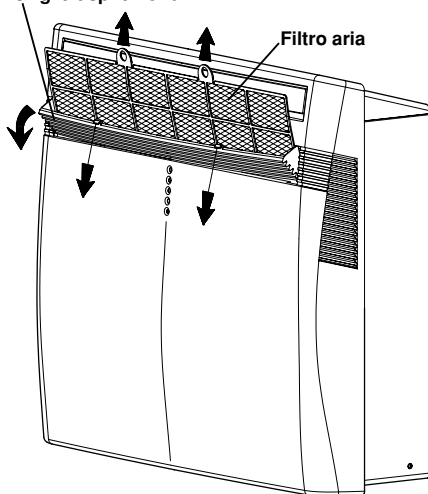
Quando prevedete di non utilizzare il climatizzatore per un lungo periodo, pulite il filtro e controllate che non vi sia accumulo di condensa nel basamento. (v. paragrafo "COME SVUOTARE L'ACCUMULO DI CONDENZA"). Non appoggiate oggetti pesanti sul piano superiore.

4. Trasporto.

Quando trasportate il climatizzatore, mantenetele in posizione verticale.

5. Per la vostra sicurezza abbiate cura di verificare periodicamente lo stato del cavo di alimentazione; il collegamento elettrico dell'unità è di tipo Y con cavo preparato in modo speciale; qualora fosse danneggiato dall'uso, per la sostituzione, rivolgersi al Centro Assistenza.

Griglia aspirazione



NO!

SOMMAIRE

LE PRODUIT	3
VOYANTS	3
ACCESSOIRES LIVRES AVEC L'UNITE	4
INSTALLATION	4
AVANT D'UTILISER LE CLIMATISEUR	7
UTILISATION DE LA TELECOMMANDE	8
TELECOMMANDE	9
REGLAGE DE L'HEURE	10
REFROIDISSEMENT	10
CHAUFFAGE	10
FONCTIONNEMENT AUTOMATIQUE	10
DESHUMIDIFICATION	11
VENTILATION	11
REGLAGE DE LA VITESSE DU VENTILATEUR	11
PROGRAMME NOCTURNE	11
REGLAGE DU TEMPORISATEUR	12
REGLAGE DU FLUX D'AIR	12
COMMENT VIDER LE CONDENSAT	13
FONCTIONNEMENT SANS LA TELECOMMANDE	14
CONSEILS POUR LE CONFORT ET L'ECONOMIE DE L'ENERGIE	14
GUIDE DE DEPANNAGE	14
KIT DE CHAUFFAGE A EAU CHAUDE	15
ENTRETIEN ET NETTOYAGE	15



AVERTISSEMENT POUR L'ELIMINATION CORRECT DU PRODUIT AUX TERMES DE LA DIRECTIVE EUROPEENNE 2002/96/CE

Au terme de son utilisation cet équipement ne doit pas être éliminé avec les ordures ménagères.

Le produit doit être remis à l'un des centres de collecte sélective locaux ou auprès des revendeurs assurant ce service.

Éliminer séparément un équipement électrique et électronique permet d'éviter des potentielles retombées négatives pour l'environnement et la santé humaine dérivant d'une élimination incorrect et permet de récupérer les matériaux qui le composent dans le but d'une économie importante en termes d'énergie et de ressources.

Pour rappeler l'obligation d'éliminer séparément ces équipements, le produit porte le symbole d'un caisson à ordures barré.

F

INFORMATIONS SUR LE PRODUIT

Pour tout problème ou toute question relatifs au climatiseur, il faudra les informations ci-dessous. Le modèle et le numéro de série figurent sur la plaque signalétique placée sur l'unité.

No. de modèle _____

No. de série _____

Date d'achat _____

Adresse du vendeur _____

Numéro de téléphone _____

REMARQUES

Ce climatiseur est doté des fonctions de refroidissement, déshumidification et ventilation [COOL/DRY/FAN], de refroidissement, déshumidification, chauffage et ventilation [COOL/DRY/HEAT/FAN]. Vous trouverez ci-après des détails à leur sujet. La technique du double tube à installation facilitée est sous licence de OlimpiaSplendid.

SYMBOLES D'AVERTISSEMENT

Les symboles suivants utilisés dans ce manuel sont des avertissements d'un danger potentiel pour l'utilisateur, le personnel d'entretien ou l'appareil proprement dit:



AVERTISSEMENT

Ce symbole signale un danger ou des opérations dangereuses qui risquent d'entraîner des blessures physiques graves, ou mortelles.



ATTENTION

Ce symbole signale un danger ou des opérations dangereuses qui risquent d'entraîner des blessures physiques ou des dommages matériels, notamment du produit.

DECLARATION DE CONFORMITE

Ce produit est marqué **CE** puisque il est conforme aux Directives.

- Basse tension n. 73/23/CEE et 93/68/CEE.

- Compatibilité électromagnétique n.

89/336/CEE, 92/31/CEE et 93/68/CEE.

Cette déclaration sera nulle en cas d'une utilisation différente de celle déclarée par le

Constructeur et/ou de la non-observation,

même partielle des instructions d'installation

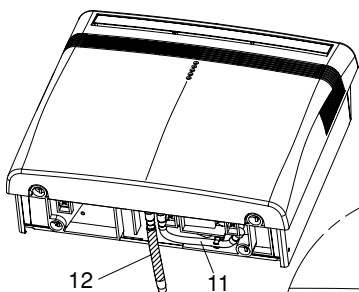
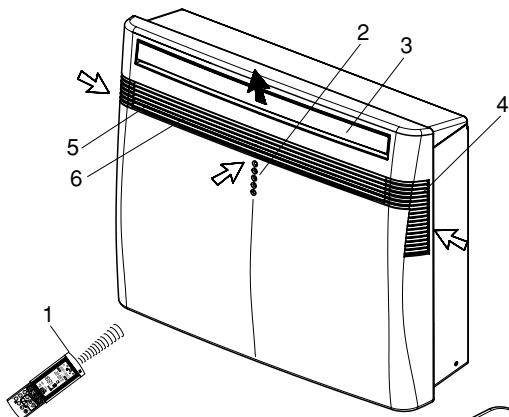
et/ou d'usage.

LIMITES DE FONCTIONNEMENT

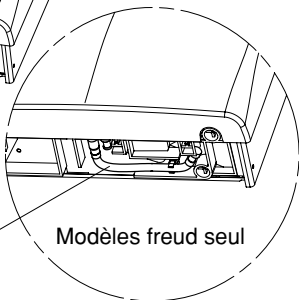
REFROIDISSEMENT		
CONDITIONS MAXIMUM	TEMPERATURE EXTERIEURE	43°C B.S.
	TEMPERATURE INTERIEURE	32°C B.S./23°C B.H.
CONDITIONS MINIMUM	TEMPERATURE EXTERIEURE	19°C B.S.
	TEMPERATURE INTERIEURE	19°C B.S./14°C B.H.
CHAUFFAGE		
CONDITIONS MAXIMUM	TEMPERATURE EXTERIEURE	24°C B.S./18°C B.H.
	TEMPERATURE INTERIEURE	27°C B.S.
CONDITIONS MINIMUM	TEMPERATURE EXTERIEURE	-8°C B.S./-9°C B.H.
	TEMPERATURE INTERIEURE	-
DESHUMIDIFICATION		
CONDITIONS MAXIMUM	TEMPERATURE EXTERIEURE	43°C B.S.
	TEMPERATURE INTERIEURE	32°C B.S. / 80% H.R.
CONDITIONS MINIMUM	TEMPERATURE EXTERIEURE	16°C B.S.
	TEMPERATURE INTERIEURE	16°C B.S. / 80% H.R.

LE PRODUIT

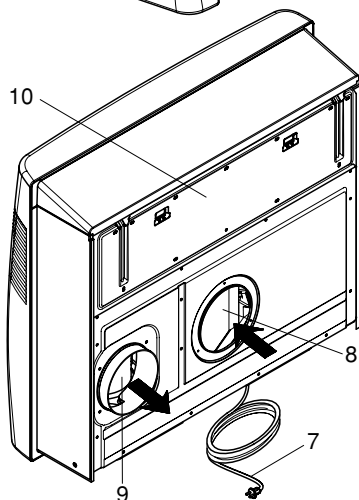
1. Télécommande à infrarouge
2. Voyants
3. Défecteur de soufflage d'air
4. Grilles d'aspiration d'air laterales
5. Grille d'aspiration d'air frontale
6. Filtre à air
7. Câble électrique avec fiche
8. Trou entrée de l'air
9. Ventilateur d'expulsion de l'air
10. Panneau de suspension
11. Tuyau de service drainage sortie de condensât
12. Tuyau de drainage sortie de condensât (modèles réversibles)



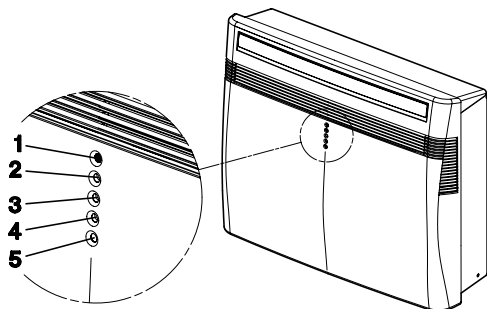
Modèles réversibles



Modèles freud seul



VOYANTS



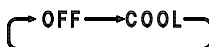
1. **Récepteur** : reçoit les signaux de la télécommande.
2. **Voyant du temporisateur** : Ce voyant s'allume lorsque l'unité est contrôlée par le temporisateur ou par le programme nocturne.
3. **Voyant d'attente** : Il s'allume quand le climatiseur est connecté électriquement et peut recevoir le signal de la télécommande.
4. **Voyant de fonctionnement** : Il s'allume quand le climatiseur est en marche.
Il clignote une fois pour indiquer que le signal de la télécommande a été reçu et mémorisé. Il clignote continuellement pendant les modes de protection (dégivrage, ecc.).
5. **Sélecteur de fonctionnement (sans télécommande)** : Appuyer ce bouton pour sélectionner le fonctionnement comment indiqué dans la figure.



AVERTISSEMENT

La position OFF ne coupe pas l'alimentation électrique. Pour éteindre complètement l'appareil, utiliser l'interrupteur principal d'alimentation.

Modèles freud seul

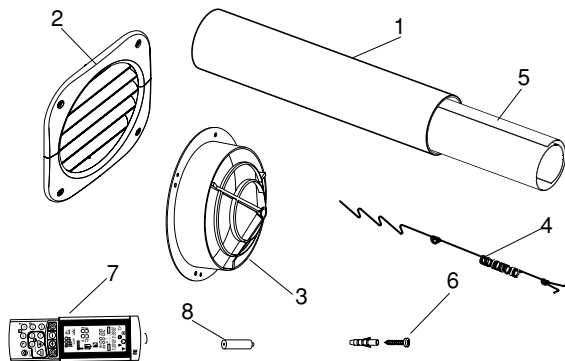


Modèles réversibles



ACCESSOIRES LIVRES AVEC L'UNITE

1. TUYAU EN PLASTIQUE (N°1)
2. GRILLES EXTERIEURES (N°2)
3. GRILLES INTERIEURES (N°2)
4. RESSORTS (N°2)
5. SUPPORT DE PERCAGE (N°1)
6. CHEVILLES + VIS (N°15)
7. TELECOMMANDE (N°1)
8. PILES POUR LA TELECOMMANDE (N°2)



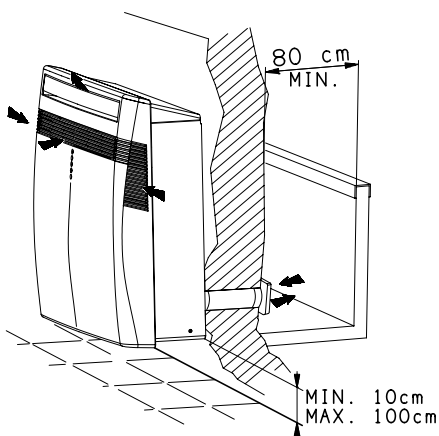
F

INSTALLATION

Ce climatiseur doit être installé par un technicien qualifié, en suivant toutes les instructions fournies.

CHOIX DE L'EMPLACEMENT DE L'UNITE

- Dans le cas d'installation pour le remplacement d'un radiateur de chauffage préexistant, suivre la notice du kit de chauffage à eau chaude.
- La paroi doit être périmétrale.
- Fixer l'unité à une hauteur minimum de 10 cm et maximum de 100 cm.
- Assurez-vous que la paroi choisie soit suffisamment solide pour supporter le poids de l'unité.
- Laisser un espace suffisant autour de l'unité pour permettre une maintenance aisée.
- Assurez-vous que l'air puisse circuler librement autour de l'unité.
- Eviter d'installer l'unité avec le flux d'air directement vers les personnes, les appareils électroménagers ou les sources de chaleur.



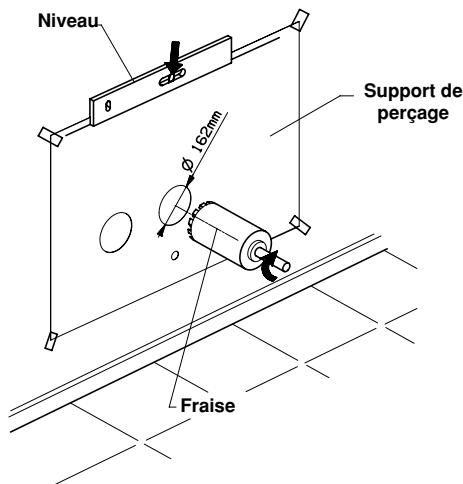
ATTENTION

Après avoir choisi, selon les critères ci-dessus énumérés, l'emplacement d'installation, assurez-vous que dans la paroi où vous ferez les trous, il n'y a pas des câbles électriques ou des conduits qui pourraient être endommagés.

Vérifier aussi qu'il n'y est pas d'obstacles à la libre circulation de l'air extérieur dans les tuyaux dans la paroi. D'éventuels obstacles à l'entrée et à la sortie de l'air devront être distants de 80 cm minimum.

MONTAGE DE L'UNITE

- Placer le support de perçage et le mettre de niveau.
- Faire le deux trous $\varnothing 162$ mm et éventuellement le trou $\varnothing 35$ mm pour l'unité réversible pour le drainage du condensât à l'extérieur (assurer une pente vers l'extérieur).



- Introduire dans les deux trous le tuyau en plastique fourni; couper le tuyau à la juste mesure: il est nécessaire savoir l'épaisseur du mur et soustraire 70 mm.

- Fixer les deux grilles de sécurité et à l'extérieur les deux grilles avec les ailettes vers le bas en utilisant chevilles et vis à mur.

- S'il n'est pas possible fixer les deux grilles extérieures directement au mur, accrocher les deux grilles à celles intérieures avec les ressorts fournis, de la façon suivante:

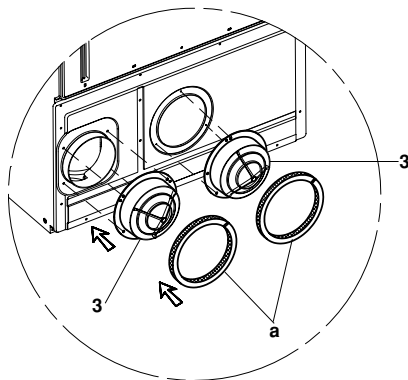
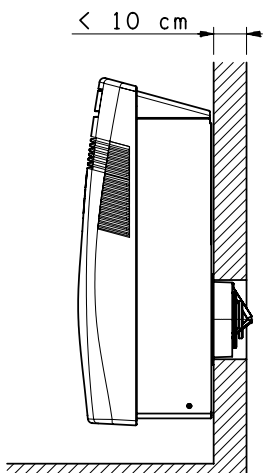
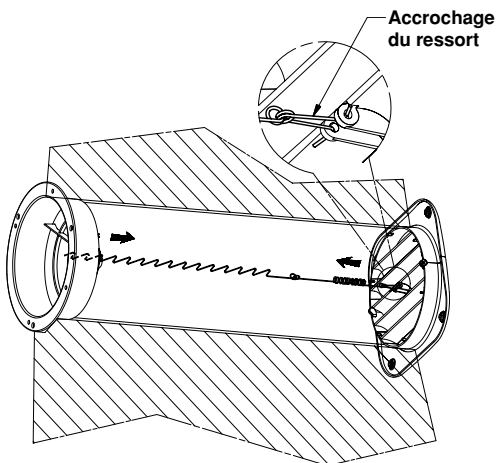
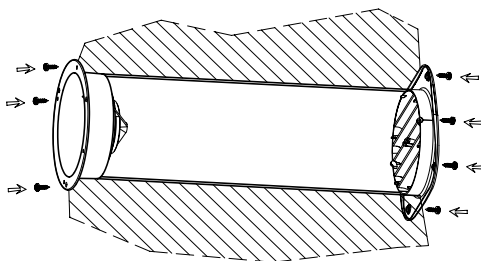
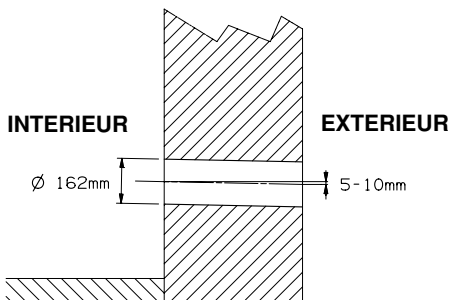
- Plier-les, fixer le crochet du ressort, l'introduire dans le tuyau et l'ouvrir vers l'extérieur.
- Choisir le juste crochet pour rallonger le ressort de 15-20 mm et accrocher-le à la grille intérieure.
- Éliminer la partie excédentaire du ressort en coupant près des points d'accrochage.

- En cas d'une paroi très mince (moins de 10 cm) il est nécessaire monter les grilles intérieures de sécurité sur le derrière de l'unité en enlevant les garnitures (a) du panneau postérieur et en les appliquant autour des grilles. Le tuyau en plastique et les grilles extérieures ne seront pas utilisés.

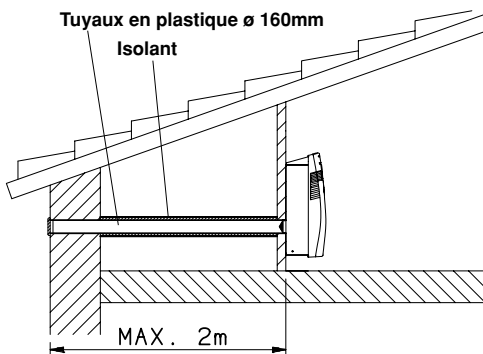


ATTENTION

Le constructeur décline toute responsabilité dans le cas où cette norme de sécurité et de prévention des accidents n'est respectée.



NOTE: les tuyaux en plastique fournis sont adaptés pour des parois jusqu'à 50 cm d'épaisseur; pour des cas particuliers (par exemple l'installation dans un comble) il peut être nécessaire d'utiliser tuyaux plus longs. La longueur maximum admissible est 2 m. Acheter auprès des revendeurs de matériel de construction le tuyau en plastique du même diamètre ($\varnothing 160\text{mm}$), de la bonne longueur et isoler-le extérieurement avec un isolant thermique de environ 3-4 cm.



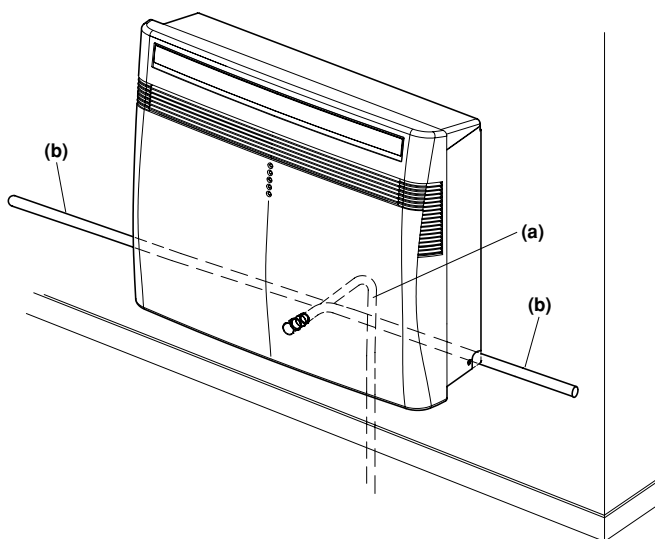
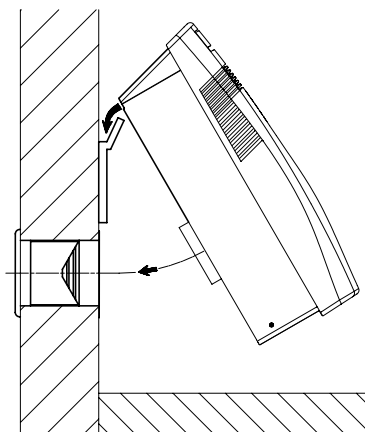
F - Fixer le panneau de suspension au mur dans la position indiquée sur le gabarit de perçage.
Utiliser des chevilles (non fournis) selon la consistance du mur; le panneau doit être bien appliqué contre le mur.

- Accrocher l'unité au panneau avec la sortie du ventilateur introduite dans la grille.

- En cas d'installation d'un modèle réversible il est nécessaire prédisposer un drainage du condensât et faire un trou $\varnothing 35\text{ mm}$ comme indiqué sur le gabarit de perçage pour le drainage à l'extérieur (a); si ce n'est pas possible, maintenir le tuyau à l'intérieur (b) et décharger le condensât en assurant toujours une pente d'au moins de 1cm/m.

- Branchez la fiche de l'unité sur la prise de courant.

- Vérifier le fonctionnement correct.



AVANT D'UTILISER LE CLIMATISEUR

- Vérifiez que la tension du réseau d'alimentation est bien de 220-240V ~ 50Hz.
- Assurez-vous que l'installation électrique est en mesure de fournir un courant nécessaire au climatiseur, en plus du courant normalement utilisé pour d'autres usages (appareils électroménagers, éclairage). Voir la puissance absorbée sur la plaque signalétique du climatiseur.
- Nous conseillons l'installation d'un interrupteur bipolaire, avec un fusible de protection de 10 ampères à retardement, en amont de la fiche d'alimentation.
- L'unité doit être raccordée selon les normes et règlements électriques en vigueur.
- Assurez-vous que le disjoncteur de protection de l'installation est calibré pour supporter un courant de pointe de 20 ampères (normalement pour un temps inférieur à une seconde).
- Ne pas installer le climatiseur dans un local, où il pourrait recevoir des projections d'eau (par exemple dans la buanderie).
- La prise du climatiseur doit toujours être pourvue d'une prise de terre efficace.
- N'utilisez jamais la fiche pour arrêter ou mettre en marche le climatiseur: utilisez toujours le bouton ON/OFF de la télécommande ou le sélecteur de fonctionnement sur l'unité.
- **PRECAUTION !** Ne rien introduire dans le climatiseur. Cela est très dangereux car le ventilateur tourne à grande vitesse.
- **ATTENTION!**
Le climatiseur est pourvu d'un système de protection du compresseur contre les surcharges qui l'empêche de fonctionner pendant trois minutes après l'arrêt précédent.
- Assurez-vous que l'air puisse circuler librement autour de l'unité. Ne pas obstruer avec des rideaux ou similaires les grilles d'arrivée et de sortie d'air. Ne pas déposer des objets sur le climatiseur.
- A la première mise en marche, le climatiseur atteint l'efficacité maximum après au moins une heure de fonctionnement.
- Le constructeur décline toute responsabilité dans le cas où les normes de sécurité et de prévention contre les accidents ne seraient pas respectées.



DANGER!

Avant de procéder au déplacement ou au nettoyage du climatiseur, débranchez toujours la fiche de la prise de courant et, en cas de déplacement, vider l'éventuelle condensât dans la cuve.

UTILISATION DE LA TELECOMMANDE

REMARQUE

INSTALLATION DES PILES

- Enlever le couvercle au dos de la commande.
- Placer deux piles alcalines du format AAA de 1,5V-DC. S'assurer que les piles sont bien installées dans le compartiment en respectant les pôles.
- Les piles ont une autonomie d'environ six mois, en fonction de la fréquence d'utilisation de la télécommande. Enlever les piles, si vous prévoyez de ne pas utiliser la commande à distance pendant plus d'un mois.

Appuyer au même temps sur les boutons +, -, SET et CLEAR après avoir remplacé les piles.

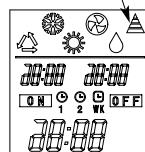
(De cette façon le temporisateur (TIMER) peut être mis correctement à zéro et par la suite à nouveau réglé). Remplacer les piles lorsque le voyant de la télécommande ne clignote plus ou lorsque la commande à distance ne permet plus de modifier les réglages du climatiseur.

- Les piles de la télécommande contiennent des agents polluants. Une fois usées, les jeter en respectant la réglementation locale concernant les déchets.

SELECTEUR DE LA SONDE DE TEMPERATURE

- En conditions normales, la température ambiante est détectée et contrôlée par la sonde de température placée dans le climatiseur.
- Appuyer sur le bouton I FEEL pour mettre en service la sonde de température placée dans la télécommande. Cette fonction permet de personnaliser la température ambiante en transmettant le signal depuis une position près de vous. Donc, en utilisant cette fonction, la télécommande doit toujours être dirigée vers le climatiseur, sans obstacles.

La télécommande transmet régulièrement un signal de température au climatiseur à intervalles de deux minutes. Si la transmission du signal de la télécommande cesse pendant plus de cinq minutes par suite



AFFICHAGE SUR LA TELECOMMANDE

d'une perte de la télécommande ou pour une autre raison, le climatiseur, utilisera la sonde de température placée dans l'unité et il contrôlera ainsi la température. Dans ce cas, il se peut que la température autour de la télécommande soit différente de celle qui est détectée à l'endroit où se trouve le climatiseur.

FONCTIONNEMENT AVEC LA TELECOMMANDE



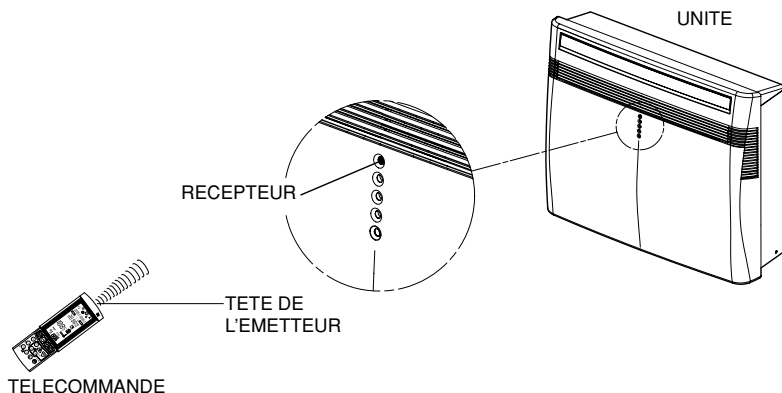
ATTENTION

Vérifier que le disjoncteur du panneau d'alimentation est sur ON et que le voyant d'attente est allumé.

Diriger l'émetteur de la télécommande vers le récepteur placé sur le climatiseur.

COMMENT METTRE EN MARCHÉ LE CLIMATISEUR

Appuyer sur le bouton ON/OFF pour mettre en marche le climatiseur. Le voyant de fonctionnement s'allume, en indiquant que l'unité est en marche.



TELECOMMANDE

AFFICHAGE

Les informations sur le mode de fonctionnement s'affichent lorsque la télécommande est en fonction.

Mode de fonctionnement

Confirme la transmission des données au climatiseur et bloc de la télécommande

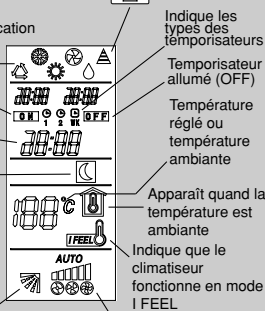
- Auto
- Refroidissement
- Chauffage
- Deshumidification
- Ventilation

Temporisateur allumé (ON)

Horloge heures/minutes

Programme nocturne

Baylage volet automatique



Vitesse de ventilation

- Auto
- Grande vitesse
- Moyenne vitesse
- Petite vitesse

EMETTEUR

Lorsque l'on appuie sur les boutons de la télécommande, le voyant clignote pour transmettre la modification des réglages au récepteur du climatiseur.

CAPTEUR (SENSOR)

Le capteur de température incorporé à la télécommande détecte la température de la pièce.

BOUTONS DE REGLAGE DE LA TEMPERATURE

— (plus froid)

Appuyer sur ce bouton pour réduire la température.

+ (plus chaud)

Appuyer sur ce bouton pour augmenter la température.

BOUTON FAN SPEED (Vitesse de ventilation)

Le microprocesseur choisit automatiquement la vitesse de ventilation.

- Grande vitesse de ventilation.
- Moyenne vitesse de ventilation.
- Petite vitesse de ventilation.

BOUTON SET

Appuyer sur ce bouton pour sélectionner les fonctions:

- réglage de l'heure
 - réglage du temporisateur ON/OFF
- Pour les détails voir "REGLAGE DE L'HEURE" et "REGLAGE DU TEMPORISATEUR".

BOUTONS POUR LE REGLAGE DE L'HEURE ET DU TEMPORISATEUR

En appuyant les boutons + ou - est activée le réglage de l'heure et du temporisateur. Pour les détails voir "REGLAGE DE L'HEURE" et "REGLAGE DU TEMPORISATEUR".

BOUTON TIMER (programmation du temporisateur)

En appuyant sur le bouton TIMER on active sur l'affichage la procédure pour le réglage ON/OFF du temporisateur. Pour les détails, voir "REGLAGE DU TEMPORISATEUR".

BLOC DE LA TELECOMMANDE

En appuyant sur ce bouton la télécommande se bloque avec le dernier réglage. Quand est activé la télécommande ne peut pas contrôler le climatiseur. Pour débloquer la télécommande appuyer de nouveau .

SELECTEURS VITESSE DU VOLET

Appuyer sur ces boutons pour choisir la fonction du volet désirée

- : le volet balaye automatiquement
- : chaque fois vous appuyez ce bouton le volet se déplace de une position.

BOUTON ON/OFF (enmarche/arrêt)

Ce bouton permet de mettre le climatiseur en marche et de l'arrêter.

BOUTON MODE DE FONCTIONNEMENT

Appuyer sur ce bouton pour choisir le mode de fonctionnement du climatiseur.

(auto) ★

Sur cette position le microprocesseur calcule automatiquement la différence entre le réglage du thermostat et la température de la pièce, puis il commuté automatiquement sur le mode refroidissement ou chauffage.

(chauffage) ★

Le climatiseur réchauffe la pièce.

(deshumidification)

Le climatiseur réduit l'humidité de l'air de la pièce.

(refroidissement)

Le climatiseur refroidit la pièce.

(ventilation)

Le climatiseur fonctionne uniquement en ventilation.

★ COOL / DRY / HEAT / FAN

Bouton SLEEP

(Programme nocturne)

Pour les détails, voir "Programme nocturne".

Quand l'on appuie sur ce bouton en mode REFROIDISSEMENT ou DESHUMIDIFICATION, le signal s'affiche et le microprocesseur de la télécommande règle automatiquement la température sélectionnée de façon à économiser l'énergie.

SELECTEUR DE LA SONDE DE TEMPERATURE

Appuyer le bouton I FEEL pour activer la sonde de température placée dans la télécommande. Cette fonction permet de personnaliser la température ambiante.

TEMPERATURE AMBIANTE

Appuyer le bouton ROOM pour visualiser la température ambiante près de la télécommande.

ANNULATION DU TEMPORISATEUR

Appuyer sur le bouton CLEAR pour annuler tous les opérations du temporisateur.


REGLAGE DE L'HEURE

1. Appuyer sur le bouton SET pendant cinq secondes. L'indication de l'heure seule clignote.
2. Appuyer sur les boutons + ou - jusqu'à ce que l'heure courante s'affiche.
3. Appuyer sur le bouton SET jusqu'à ce que l'indication ne clignote pas.

REFROIDISSEMENT

REMARQUE

Vérifier que l'unité est connectée à l'alimentation électrique et que le voyant STANDBY est allumé.

1. Appuyer sur le bouton MODE (Mode de fonctionnement) jusqu'à l'affichage du signal REFROIDISSEMENT  .

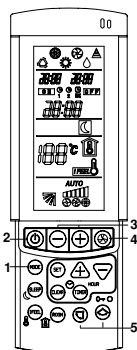
2. Appuyer sur le bouton ON/OFF pour mettre en marche le climatiseur.

3. Appuyer sur les boutons TEMP. (3) pour choisir la température (la plage de réglage de la température est entre 30 °C max. et 16 °C min.).

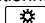
 LA VALEUR DE LA TEMPERATURE SELECTIONNEE S'AFFICHE.

4. Appuyer sur le bouton FAN SPEED pour régler la vitesse de ventilation.

5. Appuyer sur le bouton FLAP et régler la direction du flux d'air. (cf. réglage du flux d'air)



CHAUFFAGE

1. Appuyer sur le bouton MODE (Mode de fonctionnement) jusqu'à l'affichage du signal CHAUFFAGE  .

2. Appuyer sur le bouton ON/OFF pour mettre en marche le climatiseur.

3. Appuyer sur les boutons TEMP. pour choisir la température (la plage de réglage de la température est entre 30 °C max. et 16 °C min.).

 LA VALEUR DE LA TEMPERATURE SELECTIONNEE S'AFFICHE.

4. Appuyer sur le bouton FAN SPEED pour régler la vitesse de ventilation.

5. Appuyer sur le bouton FLAP et régler la direction du flux d'air. (cf. réglage du flux d'air)

REMARQUE

Après la mise en marche en chauffage, le ventilateur ne fonctionnera pas, grâce à une protection "prévention courants air froid" qui permettra le fonctionnement du ventilateur seulement lorsque l'échangeur de chaleur sera suffisamment chaud. Pendant cette période le voyant d'attente sera allumé.

DEGIVRAGE DE L'ECHANGEUR DE CHALEUR EXTERIEURE

Lorsque la température extérieure descend au-dessous de zéro, de la glace se forme sur la batterie extérieure; ceci réduit la puissance en chauffage. Dans ce cas le microprocesseur commande un changement dans le fonctionnement du climatiseur (dégivrage). Lorsque cette fonction est activée, le ventilateur de l'unité s'arrête et le voyant de fonctionnement clignote pendant le dégivrage. Le fonctionnement en chauffage reprend après quelques minutes en fonction de la température ambiante et de la température extérieure.

FONCTIONNEMENT ET RENDEMENT D'UN SYSTEME "REVERSIBLE"

Un climatiseur en version "Reversible" rechauffe l'air ambiant en prélevant la chaleur de l'air extérieur. La capacité (rendement) du système diminue donc lorsque la température extérieure descend au-dessous de zéro.

Si le climatiseur ne reussit pas à maintenir une valeur suffisante de la température, on devra compléter le chauffage avec un autre appareil.

FONCTIONNEMENT AUTOMATIQUE

1. Appuyer sur le bouton MODE (Mode de fonctionnement) jusqu'à l'affichage du signal AUTOMATIQUE  .


2. Appuyer sur le bouton ON/OFF pour mettre en marche le climatiseur.

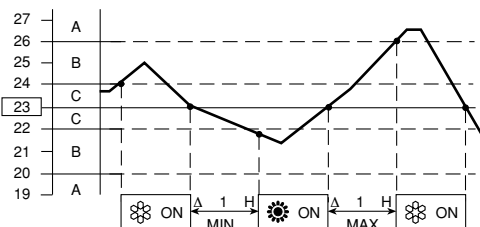
3. Appuyer sur les boutons TEMP. pour choisir la température (la plage de réglage de la température est entre 30 °C max. et 16 °C min.).

 LA VALEUR DE LA TEMPERATURE SELECTIONNEE S'AFFICHE.

Le climatiseur change automatiquement le mode de fonctionnement de chauffage en refroidissement (ou vice versa) pour maintenir la température sélectionnée.

4. Appuyer sur le bouton FAN SPEED pour régler la vitesse de ventilation.

Exemple de schéma de fonctionnement en mode  (Auto) avec la température ambiante sélectionnée à 23°C.

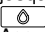


REMARQUE

Le climatiseur change automatiquement le mode de fonctionnement (de refroidissement en chauffage, ou vice versa) quand se vérifie une des conditions suivantes:

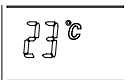
- **ZONE A:** change si la différence entre la température ambiante et la température sélectionnée sur la télécommande est au moins 3°C.
- **ZONE B:** change si la différence entre la température ambiante et la température sélectionnée sur la télécommande est au moins 1°C, une heure après l'arrêt du compresseur.
- **ZONE C:** ne change jamais si la différence entre la température ambiante et la température sélectionnée sur la télécommande n'est pas plus de 1°C.

DESHUMIDIFICATION

1. Appuyer sur le bouton MODE (Mode de fonctionnement) jusqu'à l'affichage du signal DESHUMIDIFICATION .
2. Appuyer sur le bouton ON/OFF pour mettre en marche le climatiseur.
3. Appuyer sur les boutons TEMP. pour sélectionner la température ambiante (la plage de réglage de la température est entre 30 °C max. et 16 °C min.).

A ce point le climatiseur exécute automatiquement des cycles de marche/arrêt.

REMARQUE: La température ambiante réglée pourrait diminuer.



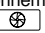
LA VALEUR DE LA TEMPERATURE SELECTIONNEE S'AFFICHE.

REMARQUE

- Utilisez la fonction déshumidification quand vous voulez réduire l'humidité de l'air ambiant.
- Avec la fonction déshumidification sélectionnée, la vitesse du ventilateur est périodiquement faible ou s'arrête pour éviter un refroidissement trop important.

VENTILATION

Si l'on désire que l'air circule dans la pièce sans modifier la température, effectuer les opérations suivantes:

1. Appuyer sur le bouton MODE (mode de fonctionnement) jusqu'à l'affichage du signal VENTILATION .
2. Appuyer sur le bouton ON/OFF pour mettre en marche le climatiseur.

REGLAGE DE LA VITESSE DU VENTILATEUR

AUTOMATIQUE

Mettre le sélecteur FAN SPEED (vitesse du ventilateur) en position . Le microprocesseur du climatiseur règle automatiquement la vitesse du ventilateur. Quand le climatiseur commence à fonctionner, la différence entre la température de la pièce et la température sélectionnée est détectée par le microprocesseur qui règle alors automatiquement le ventilateur sur la vitesse qui convient.

REMARQUE

En mode VENTILATION la vitesse du ventilateur est réglée automatiquement comme en refroidissement.

DIFFERENCE ENTRE TEMPERATURE AMBIANTE ET TEMPERATURE SELECTIONNEE		VITESSE DU VENTILATEUR
Refroidissement et Déshumidification	2 °C et plus	Maximum
	Entre 2 et 1 °C	Moyenne
	Moins de 1 °C	Minimum
Chauffage	2 °C et plus	Maximum
	Moins de 2 °C	Moyenne



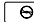
REMARQUE

Les valeurs précisées sur le tableau concernent le fonctionnement du climatiseur lorsque le capteur de la télécommande est choisi (voir sélecteur du capteur de température).

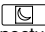
Les valeurs précisées changent légèrement dans le cas où le capteur placé dans l'unité est sélectionné.

MANUEL

Pour régler la vitesse du ventilateur manuellement, il suffit de mettre le sélecteur FAN SPEED (vitesse du ventilateur) sur la position désirée.

 Grande vitesse  Moyenne vitesse  Petite vitesse

PROGRAMME NOCTURNE

- Le programme nocturne permet d'économiser l'énergie électrique.
1. Appuyer sur le bouton MODE pour choisir le mode de fonctionnement refroidissement, déshumidification ou chauffage.
 2. Appuyer sur le bouton SLEEP.
 3. Le signal  s'affiche. Pour libérer la fonction d'économie nocturne, appuyer à nouveau sur le bouton SLEEP.

Définition du programme nocturne

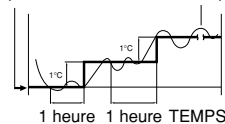
En mode d'économie nocturne, le climatiseur refroidit ou réchauffe la pièce à la température sélectionnée (SET TEMP), puis le thermostat commute le climatiseur en mode d'attente. Environ 1 heure plus tard, la température sélectionnée est automatiquement modifiée comme suit. (Voir graphique).

MODE DE FONCTIONNEMENT	MODIFICATION TEMP. SELECTIONNEE
Chauffage	Diminution 1 °C
Refroidissement et Déshumidification	Augmentation de 1 °C

Le climatiseur reste en marche jusqu'à ce que la température de la pièce atteigne la nouvelle valeur sélectionnée, puis il est commuté en mode d'attente. Environ 1 heure plus tard, la température sélectionnée est à nouveau relevée de 1 °C en refroidissement et abaissée de 1 °C en chauffage. Ceci permet d'économiser l'énergie sans sacrifier le confort dans la pièce.

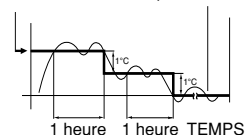
REFROIDISSEMENT ET DESHUMIDIFICATION

Température sélectionnée Température ambiante



CHAUFFAGE

Température sélectionnée Temp. ambiante



REGLAGE DU TEMPORISATEUR

Quatre temporisateurs peuvent être choisis sur la télécommande. Deux temporisateurs journaliers (appelées T1 & T2) et deux temporisateurs de week-end en option (appelées WKT1 & WKT2). Chacun de ces temporisateurs peut être sélectionné en appuyant sur la touche TIMER.

Les temporisateurs journaliers T1 et T2 permettent de programmer la mise en marche et l'arrêt séparément sur deux périodes différentes. Une fois réglé, le temporisateur agira quotidiennement.

Les temporisateurs de week-end WKT1 et WKT2 permettent de programmer la mise en marche et l'arrêt séparément sur deux périodes différentes, pendant deux jours seulement. Ceux temporisateurs agiront le jour choisi et le jour suivant uniquement.

A 24:00 h le second jour, le temporisateur WK n'agira plus et le temporisateur journalier reprendra son action normale.

WKT1 - Active le jour fixé

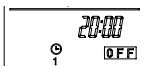
WKT2 - Active le jour suivant le jour fixé

REMARQUE:

1. Pendant le fonctionnement des temporisateurs de week-end, les temporisateurs journaliers sont mise hors fonction.
2. Les temporisateurs WK doivent être réactivés avant chaque week-end.

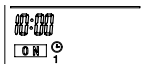
A) REGLAGE DE L'HEURE D'ARRET (OFF).

- 1.Appuyer sur le bouton TIMER pour sélectionner le temporisateur désiré.
- 2.Appuyer sur les boutons SET et CLEAR jusqu'à ce que OFF clignote.
- 3.Appuyer sur les boutons + ou - jusqu'à ce que la valeur désirée s'affiche.
- 4.Appuyer sur le bouton SET pour activer le temporisateur.



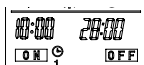
B) REGLAGE DE L'HEURE DE MISE EN MARCHÉ (ON)

- 1.Appuyer sur le bouton TIMER pour sélectionner le temporisateur désiré.
- 2.Appuyer sur le bouton SET jusqu'à ce que ON clignote.
- 3.Appuyer sur les boutons + ou - jusqu'à ce que la valeur désirée s'affiche.
- 4.Appuyer sur les boutons SET et CLEAR pour activer le temporisateur.



C) REGLAGE DE MISE EN MARCHÉ/ARRET QUOTIDIEN

- 1.Appuyer sur le bouton TIMER pour sélectionner le temporisateur désiré.
- 2.Appuyer sur le bouton SET jusqu'à ce que ON clignote.
- 3.Appuyer sur les bouton + ou - (HEURE) jusqu'à ce que la valeur désirée s'affiche.
- 4.Appuyer de nouveau sur le bouton SET et OFF clignote.
- 5.Appuyer sur les boutons + ou - (HEURE) jusqu'à ce que la valeur désirée s'affiche.
- 6.Appuyer sur le bouton SET pour activer le temporisateur.



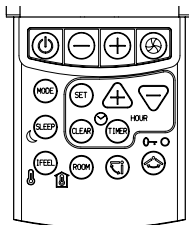
D) ANNULATION DU TEMPORISATEUR

- 1.Appuyer sur le bouton TIMER pour sélectionner le temporisateur.
- 2.Appuyer sur le bouton CLEAR si vous voulez annuler tous les opérations du temporisateur.



REMARQUE

Si la procédure de réglage du temporisateur n'est pas terminée dans 15 secondes, en appuyant sur le bouton SET, elle sera annulée et restera mémorisé le dernier réglage .



REGLAGE DU FLUX D'AIR

HORIZONTALEMENT (manuel)

Le flux de l'air peut être réglé horizontalement en déplaçant les ailettes verticales vers la gauche ou vers la droite, comme indiqué dans les figures de chaque modèle.

VERTICALEMENT (avec télécommande)

La télécommande permet de régler le volet de deux façon:

1. Appuyer sur le bouton  pour faire balayer le volet.

Si on appuie de nouveau le volet s'arrête tout de suite.

2. Appuyer sur le bouton  pour déplacer le volet de une position vers une autre.



ATTENTION

Pendant le refroidissement ou la déshumidification, surtout avec beaucoup d'humidité dans la pièce, réglez les ailettes verticales droites.

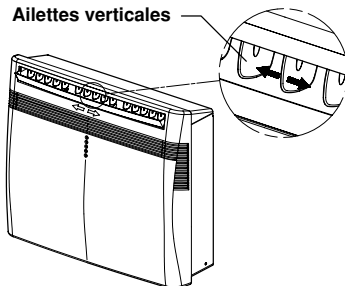
Si les ailettes sont réglées nettement vers la gauche ou vers la droite, des goutelettes de condensation sur la grille de sortie d'air pourraient se former.

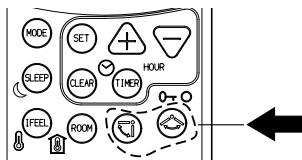
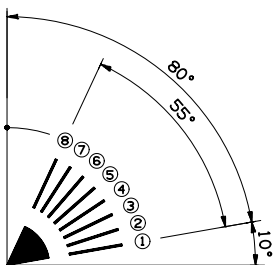


ATTENTION

Ne pas déplacer le volet à la main pendant le fonctionnement

Ailettes verticales





Balayage

Le volet commence à se déplacer de haut en bas pour fournir l'air dans la plage de balayage.

- REMARQUE**
- Le volet se referme automatiquement quand l'appareil est mis hors tension.
 - Pendant le chauffage, la position du volet change selon le réglage fait avec la télécommande.



ATTENTION

- Utiliser le bouton FLAP de la télécommande pour ajuster la position du volet. Si l'on déplace le volet à la main, il y aura un décalage entre la position préconisée par la télécommande et la position réelle. Dans ce cas, mettre l'appareil hors tension, attendre que le volet se referme, puis remettre l'appareil sous tension. La position du volet sera à nouveau normale.

F

COMMENT VIDER LE CONDENSAT

L'humidité absorbée par l'unité est recueillie et vidée automatiquement, mais dans des conditions particulières le condensât pourrait rester dans l'unité.

Si vous prévoyez de ne pas utiliser le climatiseur pendant une longue période, il est nécessaire vider l'éventuel condensât en utilisant le tuyau de service placé en dessous de la cuve.

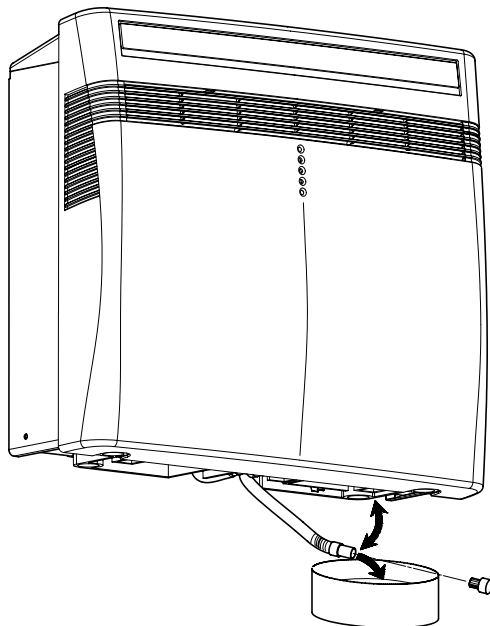
IMPORTANTE

A la fin des opérations boucher le tuyau avec son bouchon.



DANGER!

- Arrêtez toujours le climatiseur avant de débrancher l'appareil.
- Débrancher toujours l'appareil avant de vider l'eau de condensation collectée à l'intérieur du climatiseur.



FONCTIONNEMENT SANS LA TELECOMMANDE

Si la télécommande a été perdue ou si elle ne fonctionne pas, procéder comme suit:

1. CLIMATISEUR ARRETE.

Pour mettre le climatiseur en marche, appuyer le sélecteur de fonctionnement avec un objet pointu (stylo) pour sélectionner le mode désiré (COOL ou HEAT).

REMARQUE

Le climatiseur se mettra en marche avec la vitesse automatique du ventilateur et le volet en balayage. Le réglage de la température est de 22°C pour le mode refroidissement et 28°C pour le chauffage.

F 2. CLIMATISEUR EN MARCHÉ.

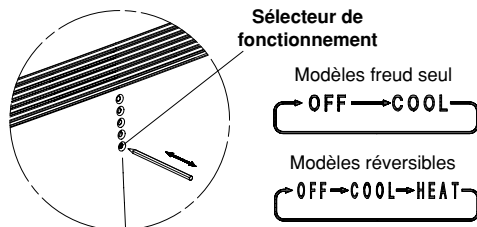
Pour éteindre le climatiseur, appuyer le sélecteur de fonctionnement avec un objet pointu (stylo) jusqu'à ce que le voyant de fonctionnement s'éteigne.

REMARQUE

Coupure de courant pendant le fonctionnement.

En cas de coupure de courant, l'appareil s'arrête.

Quand l'alimentation est rétablie, l'appareil redémarre automatiquement après 3 minutes.



CONSEILS POUR LE CONFORT ET L'ECONOMIE DE L'ENERGIE

EVITER:

- D'obstruer les grilles d'arrivée et de sortie d'air de l'appareil. Si elles sont bouchées, l'appareil ne fonctionnera pas de façon satisfaisante et il risque d'être endommagé.
- De laisser le soleil pénétrer pleinement dans la pièce. Utiliser des persiennes ou des rideaux.

VERIFIER:

- Que le filtre à air soit toujours propre. Un filtre colmaté diminue les performances de l'appareil
- Que toutes les portes, les fenêtres et autres ouvertures soient fermées pour éviter des infiltrations d'air.
- La température ambiante est supérieure à 16 °C pour le mode refroidissement et déshumidification.

GUIDE DE DEPANNAGE



AVERTISSEMENT

- Ne pas utiliser de téléphone portable près du climatiseur, pour éviter des perturbations au bon fonctionnement de celui-ci. Dans le cas où un fonctionnement anormal est remarqué (le voyant de fonctionnement (4) s'allume, mais l'unité extérieure ne fonctionne pas), rétablir le fonctionnement normal en coupant l'alimentation électrique pendant au moins 60 secondes, au moyen du disjoncteur général ou de la fiche, ensuite remettre en marche le climatiseur.

- Si le climatiseur ne marche pas correctement, effectuer les vérifications suivantes avant d'appeler le Service Après Vente. Si le problème persiste, prendre contact avec le vendeur ou le Service Après Vente.

Panne: Le climatiseur ne fonctionne pas du tout.

Cause possible:

1. Coupure de courant.
2. Disjoncteur activé.
3. Tension de ligne trop basse.
4. La touche de marche/arrêt de fonctionnement est positionnée sur OFF.
5. Les piles de la télécommande sont usées.
6. Le sélecteur sur le kit de chauffage à eau chaude n'est pas sur la position correcte.

Remède:

1. Rétablir l'alimentation.
2. Prendre contact avec un service après-vente.
3. Consulter un électricien ou le vendeur.
4. Appuyer à nouveau sur la touche.
5. Remplacer les piles.
6. Placer le sélecteur sur la position correspondante au symbole "climatiseur".

Panne: Le climatiseur ne fonctionne pas et le voyant d'attente (3) clignote.

Cause possible:

1. Sonde défectueuse.

Remède:

1. Prendre contact avec un service après-vente.

Panne: Le voyant du temporisateur (2) clignote et le climatiseur ne fonctionne pas.

Cause possible:

1. Anomalie dans le câblage.

Remède:

1. Prendre contact avec un service après-vente.

Panne: Le compresseur se met en marche mais il s'arrête aussitôt.

Cause possible:

1. Il y a un obstacle devant les grilles d'aspiration d'air.

Remède:

1. Prendre contact avec un service après-vente.

Panne: Refroidissement ou chauffage insuffisant.

Cause possible:

1. Filtre à air sale ou obstrué.
2. Source de chaleur ou trop de monde dans la pièce.
3. Portes et/ou fenêtres ouvertes.
4. Obstacle devant l'arrivée ou la sortie d'air.
5. Température réglée sur la télécommande trop haute.
6. La température extérieure est insuffisante (version réversible).
7. Le système de dégivrage ne fonctionne pas (version réversible).

Remède:

1. Nettoyer les filtres à air afin d'améliorer la circulation d'air.
2. Si possible, éliminer la source de chaleur.
3. Les fermer pour empêcher la pénétration d'air froid ou chaud.
4. Retirer l'obstacle pour assurer une bonne circulation d'air.
5. Régler de nouveau la température sur la télécommande.
6. Essayer d'utiliser un chauffage d'appoint.
7. Consulter le concessionnaire.

Panne: Le voyant de fonctionnement (4) clignote, le ventilateur fonctionne, tandis que le compresseur est arrêté.

Cause possible:

1. Intervention de la sécurité limite haute condensât.

Remède:

1. Vider le condensât (voir paragraphe "COMMENT VIDER LE CONDENSAT").

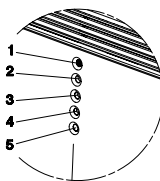
Panne: Le climatiseur émet des craquements.

Cause possible:

1. Pendant le fonctionnement, à la suite d'un changement de température les pièces en plastique de l'appareil se dilatent ou se rétrécissent, ce qui provoque un léger craquement.

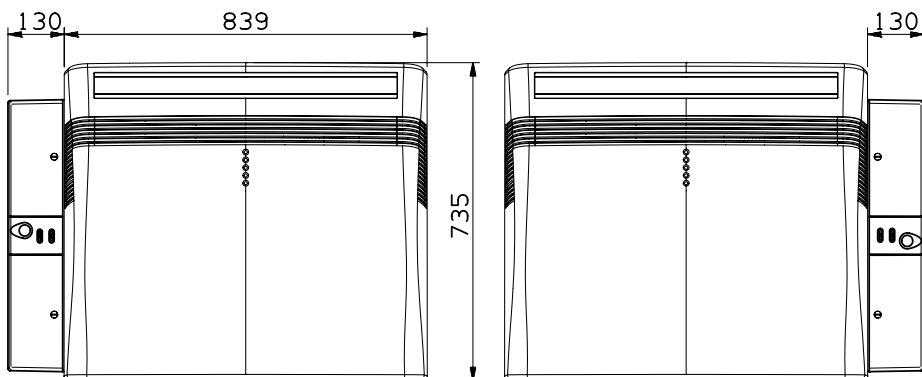
Remède:

1. C'est normal et le bruit disparaît quand les températures du climatiseur se sont stabilisées.



KIT DE CHAUFFAGE A EAU CHAUDE (SEULEMENT POUR MODELES 245C-235H)

L'unité est prédisposée pour le remplacement d'un radiateur dans une installation de chauffage préexistante. Il est nécessaire acheter le kit de chauffage à eau chaude qui peut être installé sur les deux cotés de l'unité selon la position des raccords de l'eau.



F

ENTRETIEN ET NETTOYAGE

ATTENTION! Avant de procéder à des opérations de nettoyage et d'entretien, débranchez l'appareil.

1. Nettoyage du filtre à air.

Le filtre doit être contrôlé au moins une fois toutes les deux semaines (pendant les périodes de fonctionnement). Le fonctionnement avec un filtre sale ou obstrué provoque une diminution de l'efficacité du climatiseur et peut causer de graves problèmes. Le filtre est placé derrière la grille d'aspiration frontale: ouvrir la grille en tirant vers le bas, saisir le filtre et tirer vers le haut. Utilisez un aspirateur pour éliminer la poussière. Si cela n'est pas suffisant, lavez le filtre à l'eau tiède et savonneuse, rincez-le à l'eau froide et séchez-le avant de le replacer.

2. Nettoyage de l'habillage et des grilles.

Pour nettoyer le climatiseur, frottez-le avec un chiffon doux, légèrement humide. Pour enlever les taches éventuelles, utilisez de l'eau savonneuse. N'utilisez jamais de dissolvants, essence ou autres produits chimiques agressifs, ni de l'eau très chaude. Ne versez jamais d'eau sur le climatiseur pour le nettoyer: vous pourriez endommager les composants internes ou provoquer des décharges électriques.

3. Après l'utilisation.

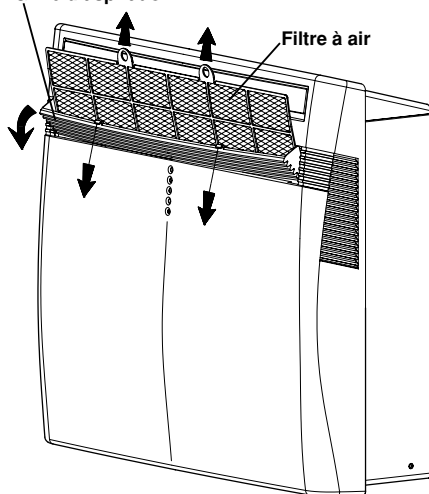
Si vous prévoyez de ne pas utiliser le climatiseur pendant une longue période, nettoyez le filtre et vérifiez qu'il n'y a pas de condensat dans la cuve (voir paragraphe "COMMENT VIDER LE CONDENSAT"). Ne déposez pas d'objets lourds dessus.

4. Transport.

Quand vous transportez le climatiseur, maintenez-le autant que possible en position verticale.

5. Pour votre sécurité, vérifiez périodiquement les conditions du câble d'alimentation électrique; le branchement électrique de l'unité est du type Y avec le câble préparé de façon spécial; dans le cas où il est endommagé par l'usage, adressez-vous au Service Après-Vente pour le remplacement.

Grille d'aspiration




NON!



INHALTSVERZEICHNIS

DAS PRODUKT	3
ANZEIGEN	3
MITGELIEFERTES ZUBEHÖR	4
AUFSTELLUNG	4
VOR INBETRIEBNAHME	7
BENUTZUNG DER FERNBEDIENUNG	8
FERNBEDIENUNG	9
EINSTELLUNG DER UHR	1 0
KÜHLUNG	1 0
HEIZUNG	1 0
AUTOMATISCHER BETRIEB	1 0
ENTFEUCHTUNG	1 1
VENTILATION	1 1
WAHL DER VENTILATOR-GESCHWINDIGKEIT	1 1
NACHT-PROGRAMM	1 1
TIMER-EINSTELLUNG	1 2
LUFTSTROM-EINSTELLUNG	1 2
WIE DIE KONDENSWASSER ZU ENTLEREEN	1 3
BETRIEBSWEISE OHNE FERNBEDIENUNG	1 4
RATSCHLÄGE FÜR HÖCHSTEN KOMFORT UND NIEDRIGSTEN VERBRAUCH	1 4
FESTSTELLUNG UND BEHEBUNG VON BETRIEBSSTÖRUNGEN	1 4
KIT FÜR WARMWASSERHEIZUNG	1 5
PFLEGE UND WARTUNG	1 5



HINWEIS FÜR DIE KORREKTE ENTSORGUNG DES PRODUKTS IN ÜBEREINSTIMMUNG MIT DER EUROPÄISCHEN RICHTLINIE 2002/96/EG

Am Ende seiner Nutzzeit darf dieses Gerät nicht zusammen mit dem Hausmüll beseitigt werden. Es darf zu den örtlichen Sammelstellen oder zu den Fachhändlern, die einen Rücknahmeservice anbieten, gebracht werden.

Die getrennte Entsorgung eines elektrischen und elektronischen Gerätes vermeidet mögliche negative Auswirkungen auf die Umwelt und die menschliche Gesundheit, die durch eine nicht vorschriftsmäßige Entsorgung bedingt ist. Zudem ermöglicht wird die Wiederverwertung der Materialien, aus denen sich das Gerät zusammensetzt, was wiederum eine bedeutende Einsparung an Energie und Ressourcen mit sich bringt. Zur Erinnerung an die Verpflichtung, die diese Geräte getrennt zu beseitigen, ist das Produkt mit einer durchgestrichen Mülltonne gekennzeichnet.

D

INFORMATIONEN ÜBER DAS PRODUKT

Falls Schwierigkeiten oder Fragen zu diesem Klimagerät entstehen, werden nachfolgende Informationen verlangt. Das Modell und die Seriennummer sind auf dem Namensschild ersichtlich, das sich auf dem Klimagerät befindet.

Modellnummer _____
 Seriennummer _____
 Kaufdatum _____
 Anschrift des Fachhändlers _____
 Telefonnummer _____

HINWEIS

Dieses Klimagerät ist mit der Kühlung, Entfeuchtung und Ventilation Funktionen **COOL/DRY/FAN**, Kühlung, Entfeuchtung, Heizung und Ventilation Funktionen **COOL/DRY/HEAT/FAN** ausgestattet. Weitere Details zu diesen Funktionen werden nachfolgend aufgeführt. Die einfache Installation Doppeltluftschachttechnik ist auf Lizenz von Olimpia Splendid.

WARNSCHICHTEN

In dieser Bedienungsanleitung werden die folgenden Zeichen verwendet um den Benutzer und das Kundendienstpersonal gegen persönliche oder Gefahren für das Produkt zu warnen.



WARNUNG

Dieses Zeichen warnt gegen Gefahren oder Eingriffe, welche schwere Verletzungen oder sogar den Tod verursachen könnten.



VORSICHT

Dieses Zeichen warnt gegen Gefahren oder Eingriffe, welche das Produkt schwer beschädigen könnten.

KONFORMITÄTSERKLÄRUNG

Dieses Produkt ist mit dem **CE** Zeichen gekennzeichnet, weil es den folgenden Richtlinien entspricht.

- Niederspannungsrichtlinie 73/23/EWG und 93/68/EWG.

- Electromagnetische verträglichkeit 89/336/EWG, 92/31/CEE und 93/68/EWG.

Bei falschem Einsatz des Gerätes und/oder Nichtbeachtung auch nur von Teilen der Bedienungsanleitung und den Installationsanweisungen wird diese Erklärung ungültig.

BETRIEBSGRENZEN

KÜHLUNG

MAXIMUMBEDINGUNGEN	AUßENTEMPERATUR	43°C T.K.
	RAUMTEMPERATUR	32°C T.K./23°C F.K.
MINIMUMBEDINGUNGEN	AUßENTEMPERATUR	19°C T.K.
	RAUMTEMPERATUR	19°C T.K./14°C F.K.

HEIZUNG

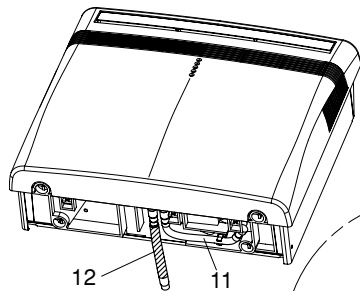
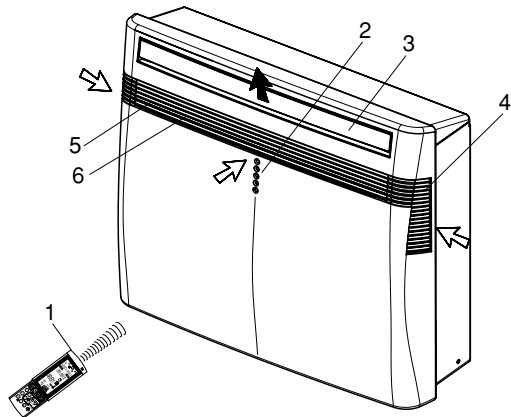
MAXIMUMBEDINGUNGEN	AUßENTEMPERATUR	24°C T.K./18°C F.K.
	RAUMTEMPERATUR	27°C T.K.
MINIMUMBEDINGUNGEN	AUßENTEMPERATUR	-8°C T.K./-9°C F.K.
	RAUMTEMPERATUR	-

ENTFEUCHTUNG

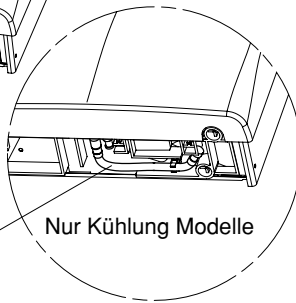
MAXIMUMBEDINGUNGEN	AUßENTEMPERATUR	43°C T.K.
	RAUMTEMPERATUR	32°C T.K. / 80% R.F.
MINIMUMBEDINGUNGEN	AUßENTEMPERATUR	16°C T.K.
	RAUMTEMPERATUR	16°C T.K. / 80% R.F.

DAS PRODUKT

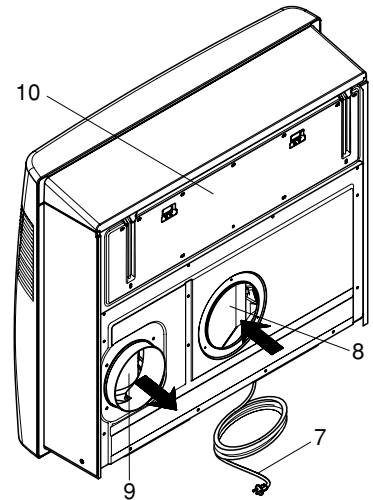
1. Fernbedienung mit infrarot-Signalen
2. Anzeigen
3. Luftzufuhr Klappe
4. Seitenluftansaugrille
5. Stirnluftansaugrill
6. Luftfilter
7. Stromkabel mit Stecker
8. Zuluft Öffnung
9. Abluft Ventilator
10. Aufhängetafel
11. Dienstkondenswasserflußrohr
12. Kondenswasserflußrohr (wärmepumpe Modelle)



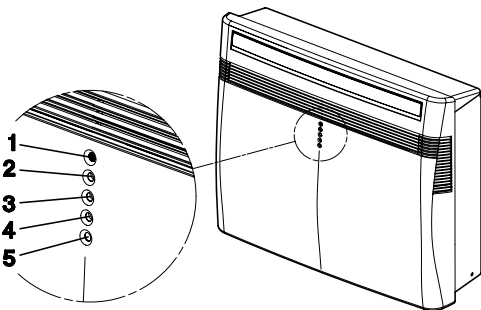
Wärmepumpe Modelle



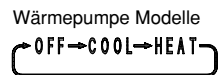
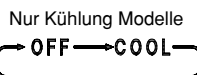
Nur Kühlung Modelle



ANZEIGEN



1. **Empfänger:** Empfängt die von der Fernbedienung ausgesandten Signale.
2. **Timeranzeigelampe:** Sie leuchtet auf, wenn die Einheit vom Timer oder vom Nachtprogramm kontrolliert wird.
3. **Warteanzeigelampe:** Sie leuchtet auf, wenn das Klimagerät zur Stromversorgung verbunden ist und es fertig ist, das Signal von der Fernbedienung zu empfangen.
4. **Betriebsanzeigelampe:** Leuchtet bei Inbetriebnahme der Einheit auf. Sie blinkt einmal, um zu warnen, daß das Signal der Fernbedienung empfangen und gespeichert werden ist. Sie blinkt immerzu während der Schutzfunktionen (Abtaugung, etc.).
5. **Betriebstaste (ohne Fernbedienung):** Diese Taste drücken, um von einem Funktion zu dem anderen zu ändern, wie es folgt:

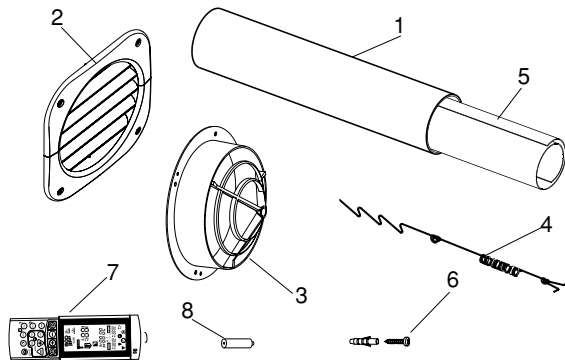


WARNUNG

Die Position OFF unterbricht die Stromversorgung nicht. Den Hauptschalter zum Ausschalten des Klimagerätes benutzen.

MITGELIEFERTES ZUBEHÖR

1. PLASTIKROHR (N°1)
2. AUSSENGITTER (N°2)
3. INNERE GITTER (N°2)
4. FEDER (N°2)
5. SCHABLONE (N°1)
6. DÜBEL + SCHRAUBEN (N°15)
7. FERNBEDIENUNG (N°1)
8. BATTERIE FÜR FERNBEDIENUNG (N°2.)



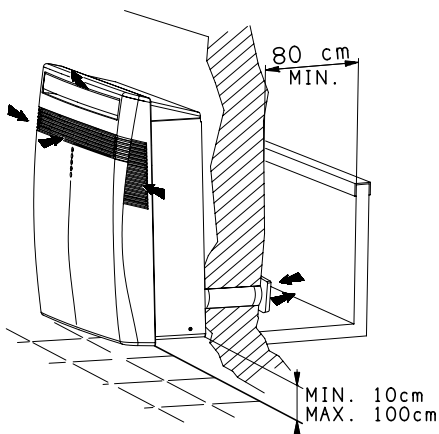
D

AUFSTELLUNG

Die Aufstellung soll von einem Fachtechniker durchgeführt werden, indem die Aufstellungsanweisungen befolgen.

WAHL DES AUSSTELLUNGSRORTS DER EINHEIT

- Auf dem Fall sollen Sie einen Radiator einer Heizanlage ersetzen, folgen Sie die Aufstellungsanleitungen von dem Kit für Warmwasserheizung.
- Die Wand soll eine Außenwand sein.
- Befestigen Sie die Einheit Minimum 10 cm und Maximum 100 cm hoch.
- Versichern Sie sich, daß die gewählte Wand das Gewicht der Einheit tragen kann.
- Berücksichtigen Sie, daß genug Platz für die Wartung vorhanden ist.
- Vergewissern Sie sich, daß keine Hindernisse neben der Einheit den Luftumlauf unterbrechen können.
- Vermeiden Sie die Installationen an Stellen, an denen der Luftstrom der Einheit direkt gegen Leute, elektrischen Haushaltgeräte oder Wärmequellen ist.



VORSICHT

Nachdem Sie das Aufstellungsort gewählt haben, indem Sie die vorstehende Punkte folgen, versichern Sie sich, daß kein Loch im Bereich mit elektrischen Kabeln und Rohrkabeln gebohrt wird.

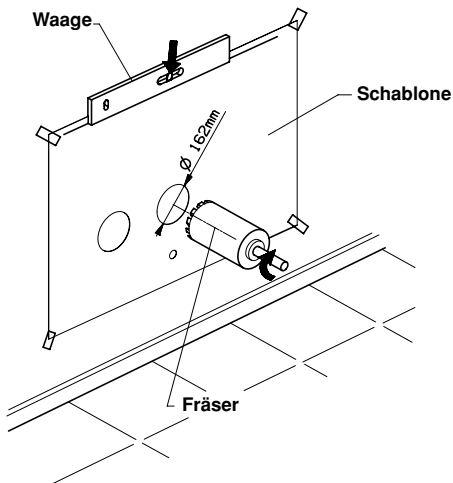
Prüfen Sie auch, daß keine Hindernisse den Aussenluftumlauf in der Plastikröhre in der Wand unterbrechen können.

Sie sollten einen Mindestabstand von 80 cm zwischen der Einheit und eventuellen Wänden oder Hindernisse schaffen.

MONTAGE DER EINHEIT

- Die Schablone an die Wand anlehnen und nivellieren.

- Durchführen Sie die zwei Lochen $\varnothing 162$ mm und das eventuellen Loch $\varnothing 35$ mm für die Wärmepumpe Einheit, um das Kondenswasser Außen ablaufen zu lassen (Versichern Sie eine Neigung nach Draußen).



- Legen Sie das mitgelieferte Plastikrohr in die zwei Löcher ein ; schneiden Sie das Rohr am richtigen Längenmaß: es ist nötig die Dicke der Wand zu messen und 70 mm zu abziehen.

- Befestigen Sie die zwei innere Gitter und die zwei Aussengitter (mit die Lamellen nach unten), indem Sie Dübel und Schraube benutzen.

- Wenn es ist nicht möglich die zwei aussere Gitter direkt an die Wand zu befestigen, hacken Sie sie zu die innere Gitter, indem Sie die mitgelieferte Feder benutzen, wie es folgt:

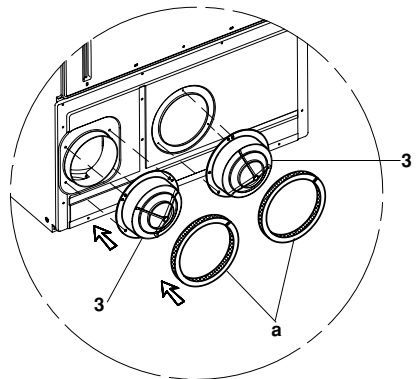
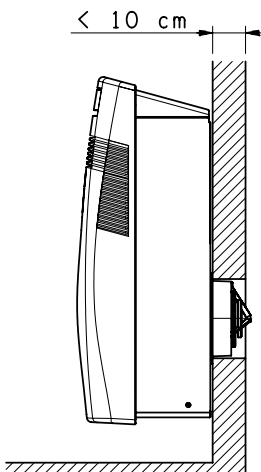
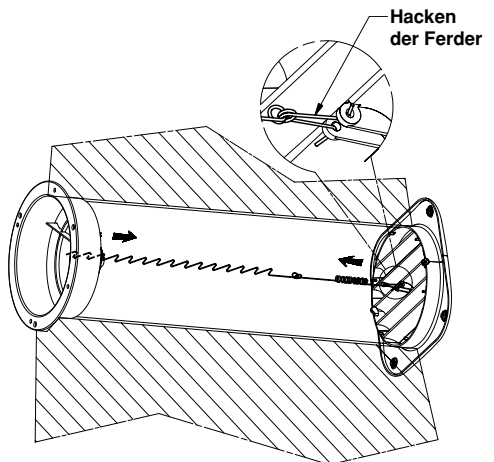
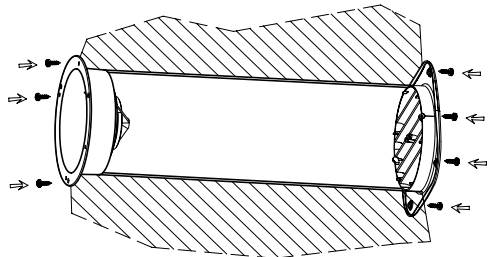
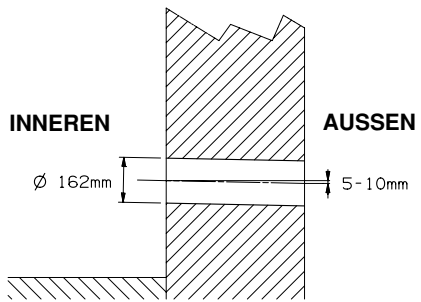
- Biegen Sie sie, befestigen Sie den Hacken der Feder, stellen Sie sie in das Rohr ein und öffnen Sie sie nach Außen.
- Wählen Sie den geeignetesten Hacken, so daß die Feder von 15-20 mm verlangt wird und hacken Sie den zu das innere Gitter.
- Beseitigen Sie den überschüssigen Teil, indem Sie neben die Hacken schneiden.

- Auf dem Fall von sehr dünn Wände (weniger als 10 cm) ist es nötig die zwei innere Gitter auf die Rückseite der Einheit zu montieren, indem Sie die Dichtungen (a) von die Rücktafel abnehmen und sie umher die Gitter anbringen. Das Rohr und die Aussengitter werden nicht benutzt sein.

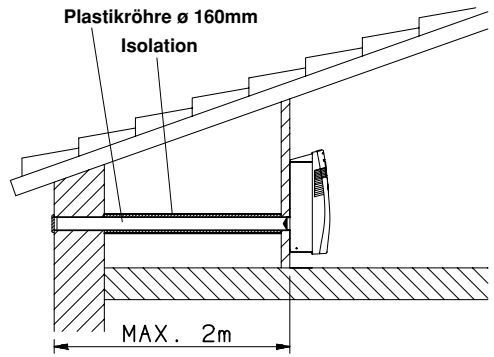


VORSICHT

Der Hersteller übernimmt keinerlei Verantwortung in den Fällen, in denen diese Sicherheits- und Unfallverhütungs-Vorschrift nicht beachtet werden.



HINWEIS: Die mitgelieferte Plastikröhre sind für Wände der Dicke bis zu 50 cm geeignet; auf besonderen Fälle (z.B. die Aufstellung in einer Bodenkammer) könnte es nötig sein, längere Röhre zu benutzen. Die Begrenzung der Länge ist 2 m. Verwenden Sie an Detailverkäufer von Baumaterial, um das Plastikrohr desselben Durchmesser ($\varnothing 160\text{mm}$) und der richtigen Länge zu kaufen: isolieren Sie es mit Isolationsmaterial von etwa 3-4 cm.



- Befestigen Sie der Aufhängungsbügel in der Position, die auf der Schablone gezeigt ist.
Der Typ und die Menge der Dübel (nicht mitgeliefert) hängen von der Konsistenz der Wand ab; stellen Sie sich sicher, daß der Bügel gleichmäßig an der Wand anliegt.

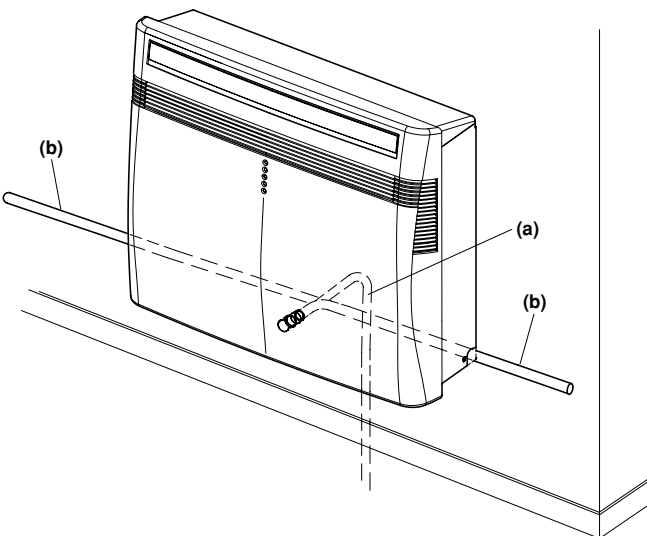
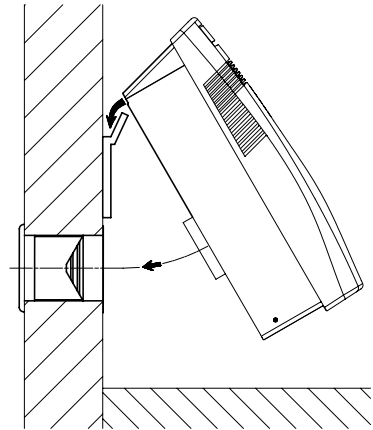
D

- Hängen Sie die Einheit mit der in dem Gitter hineingesteckten Auslaufseite der Ventilator an den Bügel auf.

- Auf dem Fall von Aufstellung einer Wärmepumpe Einheit ist es nötig einen Kondenswasserablauf zu vorbereiten, indem Sie ein Loch $\varnothing 35\text{ mm}$ durchführen, wie auf der Schablone für Aussenablauf gezeigt ist (a); wenn das ist nicht möglich, halten Sie das Kondenswasserflussrohr am Inneren (b). Versichern Sie immer eine Neigung von wenigstens 1cm/m.

- Schalten Sie die Einheit an, indem Sie den Stecker in die Steckdose einsetzen.

- Prüfen Sie den richtige Betrieb.



VOR INBETRIEBNAHME

- Überprüfen Sie, daß die einphasige Nennspannung am Anwendungsort 220/240V ~ 50Hz ist.
- Vergewissern Sie sich, daß die elektrische Anlage einen eingemessene Betriebsstrom liefern kann, außer jenem der normalerweise von den anderen Geräten (z.B. Haushaltgeräte, Beleuchtungen) verbraucht wird. Sehen die Bedarfsspitze auf dem Datenschild vom Klimagerät.
- Ist ein zweipoliger Schalter mit Schutzsicherung (träge) zu 10 A dem Versorgungsstecker anzubringen.
- Alle elektrische Anschlüsse müssen den örtlichen elektrischen Vorschriften entsprechen.
- Vergewissern Sie sich, daß die automatischen Schalter und die Schutzsicherungen der Anlage in der Lage sind, einen Zulaufstrom von 20A zu tragen (normalerweise weniger als 1 Sekunde Zeit lang).
- Das Klimagerät nicht an Orten aufstellen, in denen es von Wassertropfen naß gemacht werden könnte (z.B. in den Waschküchen).
- Vergewissern Sie sich, daß die Steckdose der elektrischen Anlage immer mit wirksamer Erdung versehen ist.
- Verwenden Sie den Gerätestecker nicht zum Ein- und Ausschalten des Gerätes: benutzen Sie immer die Taste ON/OFF der Fernbedienung oder die Betriebstaste auf der Einheit.
- VORSICHT ! Niemals Gegenstände in die Klimaanlage hineinstecken. Es ist sehr gefährlich, da sich der Ventilator mit hoher Geschwindigkeit dreht.
- ACHTUNG! Das Klimagerät ist mit einer Startverzögerung für den Kompressor ausgerüstet. Der Kompressor startet 3 Minuten verzögert nach einem vorstehenden EIN/AUS- Schaltvorgang.
- Vergewissern Sie sich, daß keine Hindernisse neben der Einheit den Luftumlauf unterbrechen können. Den Luftzufuhr und Luftansauggrill der Einheit mit Vorhängen oder ähnlich nicht versperren. Keine Gegenstände auf das Gerät legen.
- Am ersten Einschalten, erreicht das Klimagerät die höchste Leistungen nachdem wenigstens einer Uhr von Betrieb.
- Der Hersteller haftet nicht für unsachgemäßen Gebrauch oder Mißachtung nationaler Sicherheitsvorschriften.



WARNUNG

Vor jeder Bewegungs- oder Reinigungshandeln, den Stecker aus der Steckdose ziehen und, auf dem Fall von Bewegung, entleeren Sie das eventuelle Kondenswasser in dem Boden der Einheit.

BENUTZUNG DER FERNBEDIENUNG

ANMERKUNG

EINSETZEN DER BATTERIEN

- Den hinterseitige Deckel der Fernbedienung abnehmen.
- Zwei Batterien von 1,5 V-DC Art AAA alkaline einsetzen.

Die Pole, wie auf der Fernbedienung angegeben, beachten.

- Die mittlere Betriebsdauer der Batterien ist 6 Monate. Sie hängt davon ab, wie oft die Fernbedienung benutzt wird. Die Batterien bei längerer Nichtbenutzung der Fernbedienung (mehr als 1 Monat) herausnehmen. Nach dem Auswechseln der Batterien, drücken Sie gleichzeitig die Taste +, -, SET und CLEAR.

(Dieser Vorgang erlaubt die korrekte Nullung aller Programme. Die Fernbedienung muß wieder eingestellt werden).

Die Batterien auswechseln, wenn die Leuchtanzeige zur Signalübertragung von der Fernbedienung nicht blinkt oder, wenn das Klimagerät auf die Fernbedienungsbefehle nicht reagiert.

- Die Batterien der Fernbedienung enthalten verunreinigen Substanzen.

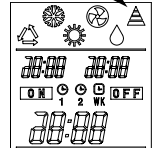
Die erschöpfte Batterien sollen gemäß der örtlichen Vorschriften beseitigt werden.

WAHLSCHALTER DES TEMPERATURSENSORS

- Unter normalen Bedingungen wird die Raumtemperatur von dem in der Inneneinheit angebrachten Sensor gemessen und kontrolliert.
- Drücken Sie die Taste I FEEL, um das in der Fernbedienung angebrachten Sensor zu aktivieren. Diese Funktion erlaubt die beste Raumtemperatur zu haben, weil die Fernbedienung die Temperatur von dem Platz überträgt, wo Sie sich befinden.

Darum, indem Sie diese Funktion benutzen, muß die Fernbedienung immer auf dem Klimagerät richten werden.

Die Fernbedienung überträgt das Temperatursignal in regelmäßigen Abständen von zwei Minuten an das Klimagerät. Falls dieses Signal aufgrund einigen Störungen mehr als fünf Minuten lang ausbleibt, schaltet das Klimagerät zur Regelung der Raumtemperatur auf den in die Einheit eingebauten Temperatur-Sensor um. In einem solchen Fall weicht die am Aufstellungsort der Einheit erfaßte Temperatur u.U. geringfügig von der Temperatur in der Nähe der Fernbedienung ab.



FERNBEDIENUNGSANZEIGE

BETRIEBSWEISE MIT FERNBEDIENUNG



VORSICHT

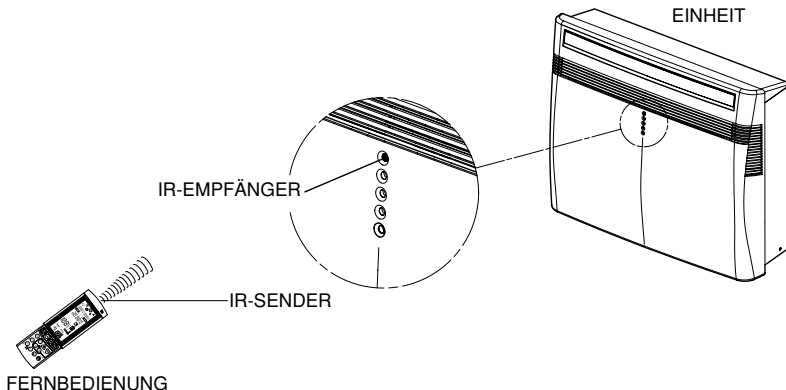
Überprüfen Sie, daß der Hauptschalter der Stromversorgung auf ON ist und daß die Warteanzeigelampe eingeschaltet ist.

Der IR-Sender der Fernbedienung auf den Empfänger auf dem Klimagerät richten.

WIE DAS KLIMAGERÄT EINZUSCHALTEN

Drücken Sie die Taste ON/OFF, um das Klimagerät einzuschalten.

Die Betriebsanzeigelampe einschaltet, um zu zeigen, daß die Einheit in Betrieb ist.



FERNBEDIENUNG

ANZEIGE

Zeigt Informationen an, wenn die Fernbedienung in Betrieb ist.

Betriebsweise

- Automatik
- Kühlung
- Heizung
- Entfeuchtung
- Ventilation

Datenverkehrsbestätigung oder Fernbedienung Sperre



Zeigt die Timer Typen

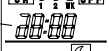
Timer eingeschaltet gestellt



Timer ausgeschaltet gestellt

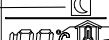
Eingestellte Temperatur oder Raumtemperatur

Uhr (Stunden / Minuten)



Symbol der Raumtemperatur

Nacht - Programm



Die Funktion I FEEL ist aktiv



Ventilator - Geschwindigkeit

- Automatisch
- Hohe Geschwindigkeit
- Mittlere Geschwindigkeit
- Niedrige Geschwindigkeit

Clappenbewegungs-funktion

SENDER

Wenn die Fernbedienungs-Tasten gedrückt werden, leuchtet die Lampe auf dem Display auf, um die Einstellungsänderungen des Klimagerätes überzutragen.

SENSOR

Ein Temperatursensor im Innern der Fernbedienung misst die Raumtemperatur.

TEMPERATURWAHLTASTEN

- (kälter)

Diese Taste zur Senkung der gewählten Temperatur drücken.

+ (wärmer)

Diese Taste zur Erhöhung der gewählten Temperatur drücken.

TASTE FAN SPEED (Ventilator-Geschwindigkeit)

AUTO Die Ventilator-Geschwindigkeit wird automatisch vom Mikroprozessor gewählt.

- Hohe Ventilator-Geschwindigkeit.
- Mittlere Ventilator-Geschwindigkeit.
- Niedrige Ventilator-Geschwindigkeit.

TASTE SET

Drücken Sie diese Taste, um die folgende Funktionen zu wählen:

- Einstellung der Uhr
 - Timer ON/OFF Einstellung
- Für Einzelheiten siehe Beispiel "EINSTELLUNG DER UHR" und "TIMER EINSTELLUNG".

TASTEN: EINSTELLUNG DER UHR UND EINGABE DER TIMERZEIT

Durch Drücken der Taste "Program" wird die Einstellung aktiviert. Für Einzelheiten siehe Beispiel "EINSTELLUNG DER UHR" und "TIMER EINSTELLUNG".

Taste TIMER (Timereinstellung)

Indem Sie die Taste TIMER drücken wird auf dem Display das Verfahren aktiviert, um die ON/OFF Timer Einstellung. Für Einzelheiten siehe Beispiel "TIMER EINSTELLUNG".

FERNBEDIENUNG SPERRE

Indem Sie diese Taste drücken, sperrt die Fernbedienung an der letzten Einstellung. Wenn ist aktiv, kann die Fernbedienung das Klimagerät nicht kontrollieren. Um die Fernbedienung wieder zu benutzen, drücken Sie nochmal.

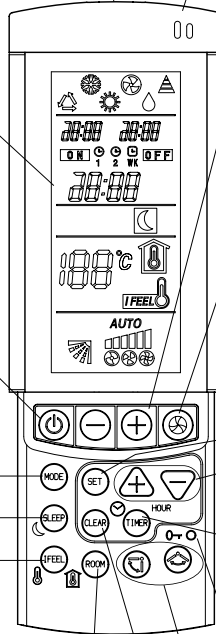
KLAPPE

Diese Taste drücken, um die Klappenbewegungs-funktion zu aktivieren.

- : Die Klappe bewegt sich automatisch nach oben und unten.
- : Die Luftströmrichtung kann manuell eingestellt werden (sechs Position)

TIMER RESET

Drücken Sie die Taste CLEAR, um alle Timer Einstellungen zu annullieren.



TASTE ON/OFF (ein/aus)

Diese Taste dient zum Ein- und Ausschalten des Klimagerätes.

BETRIEBSWEISE TASTE

Diese Taste drücken, um die Betriebsweise des Klimagerätes zu ändern.

(Automatik) ★

Wird die Position "Automatik" eingestellt, wählt der Mikroprozessor zwischen Kühlung und Heizung aufgrund des Unterschieds zwischen der Raumtemperatur und der auf der Fernbedienung eingestellten Temperatur.

(Heizung) ★

Das Klimagerät erwärmt den Raum.

(Entfeuchtung)

Das Klimagerät senkt die Raumfeuchte.

(Kühlung)

Das Klimagerät kühlt die Luft und senkt die Raumtemperatur.

(Ventilation)

Das Klimagerät funktioniert nur als Ventilator.

★ **COOL / DRY / HEAT / FAN**

Taste SLEEP

(Nacht-Programm)

Wegen Einzelheiten siehe "Nacht-Programm".

Wird diese Taste in der Betriebsweise KÜHLUNG, oder ENTFEUCHTUNG gedrückt, erscheint das Zeichen auf dem Display. Der Mikroprozessor

reguliert die gewählte Temperatur in energiesparender Weise.

WAHLSCHALTER DES TEMPERATURSENSORS

Drücken Sie die Taste I FEEL, um das in der Fernbedienung angebrachte Sensor zu aktivieren. Diese Funktion erlaubt die beste Raumtemperatur zu haben.

RAUMTEMPERATUR

Drücken Sie die Taste ROOM, um die raumtemperatur neben der Fernbedienung erscheinen zu machen.


EINSTELLUNG DER UHR

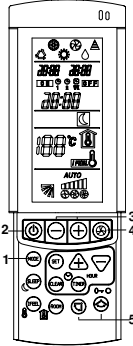
1. Die Taste SET während fünf Sekunden drücken. Die Stundenanzeige nur blinkt.
2. Die Taste + oder - solange drücken, bis die aktuelle Stunde angezeigt wird.
3. Die Taste SET drücken und die Anzeige blinkt nicht mehr.

KÜHLUNG

ANMERKUNG

Nachprüfen, daß die Einheit an die Stromversorgung verbunden ist und die STANDBY Anzeige aufleuchtet ist.

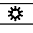
1. Die Taste MODE (Betriebsweise) drücken, bis das Zeichen  KÜHLUNG auf dem Display erscheint.
2. Die Taste ON/OFF drücken und das Klimagerät in Betrieb setzen.
3. Die Tasten TEMP. (3) drücken, um die gewünschte Temperatur einzugeben (Der Einstellungsbereich liegt zwischen 30 °C Maximum und 16 °C Minimum).



DER GEWÄHLTE TEMPERATURWERT WIRD ANGEZEIGT.

4. Die Taste FAN SPEED drücken, um die Ventilator-Geschwindigkeit einzugeben.
5. Die Taste FLAP betätigen und den Luftstrom auf gewünschte Weise einstellen (siehe Einstellung des Luftstroms)

HEIZUNG (Wärmepumpe Betrieb)

1. Die Taste MODE (Betriebsweise) drücken, bis das Zeichen  HEIZUNG auf dem Display erscheint.
2. Die Taste ON/OFF drücken und das Klimagerät in Betrieb setzen.
3. Die Tasten TEMP. (3) drücken, um die gewünschte Temperatur einzugeben (Der Einstellungsbereich liegt zwischen 30 °C Maximum und 16 °C Minimum).



DER GEWÄHLTE TEMPERATURWERT WIRD ANGEZEIGT.

4. Die Taste FAN SPEED drücken, um die Ventilator-Geschwindigkeit einzugeben.
5. Die Taste FLAP betätigen und den Luftstrom auf gewünschte Weise einstellen (siehe Einstellung des Luftstroms)

ANMERKUNG

Wird die Funktion "Heizung" gewählt, schaltet der Ventilator sich aus, um einen Kaltluftstrom zu vermeiden. Der Ventilator sich einschaltet, wenn der Wärmeaustauscherwarm genug ist. Die Warteanzeigelampe aufleuchtet.

ABTAUUNG DER AUSSENKONDENSATOREINHEIT


Wenn die Außentemperatur unter 0 °C absinkt, vermindert Eisbildung auf der Kondensatoreinheit die Heizleistung. In diesem Fall schaltet der Mikroprozessor auf Abtaubetrieb und der Ventilator bleibt stehen. Die Betriebsleuchte blinkt während des Abtauvorgangs. Je nach Raum- und Außentemperatur arbeitet das Gerät nach einigen Minuten wieder.

BETRIEB UND LEISTUNG EINES SYSTEMS IN WÄRMEPUMPEN-AUSFÜHRUNG

Ein Klimagerät in Wärmepumpen-Ausführung heizt den Raum, indem es der Außenluft Wärme entzieht. Wenn die Außentemperatur unter 0°C absinkt, kann sich die Leistung des Gerätes vermindern.

Wird der gewünschte Temperaturwert mit einem Klimagerät nicht erreicht, muß ein weiteres Klimagerät verwendet werden.

AUTOMATISCHER BETRIEB


1. Die Taste MODE (Betriebsweise) drücken, bis das Zeichen AUTOMATIK  auf dem Display erscheint.
2. Die Taste ON/OFF drücken und das Klimagerät in Betrieb setzen.
3. Die Tasten TEMP. (3) drücken, um die gewünschte Temperatur einzugeben (Der Einstellungsbereich liegt zwischen 30 °C Maximum und 16 °C Minimum).

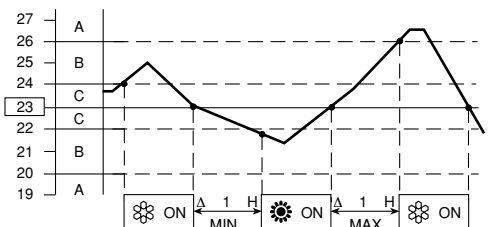


DER GEWÄHLTE TEMPERATURWERT WIRD ANGEZEIGT.

Das Klimagerät wählt automatisch zwischen Heizung und Kühlung (bzw. umgekehrt), so daß die gewählte Temperatur ständig gehalten wird.

4. Die Taste FAN SPEED drücken, um die Ventilator-Geschwindigkeit einzugeben.

Beispiel eines Betriebsschema in  (Auto) Betriebsweise mit einer eingestellten Raumtemperatur von 23°C.




HINWEIS

Das Klimagerät wechselt die Betriebsweise (von kalt auf warm oder umgekehrt) je nach dem welcher Fall auftritt:

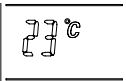
- **BEREICH A:** ändert, wenn die temperatur mindestens 3°C von der auf der Fernbedienung eingegebenen temperatur variiert.
- **BEREICH B:** ändert nach einer stunde nach dem der kompressor gestoppt wurde, wenn die temperatur mindestens 1°C von der auf der Fernbedienung eingegebenen temperatur variiert.
- **BEREICH C:** ändert nie, wenn die temperatur nicht mindestens mehr als 1°C gegenÜber der auf der Fernbedienung eingegebenen temperatur variiert.

ENTFEUCHTUNG

1. Die Taste MODE (Betriebsweise) drücken, bis das Zeichen ENTFEUCHTUNG  auf dem Display erscheint.
2. Die Taste ON/OFF drücken und das Klimagerät in Betrieb setzen.
3. Die Tasten TEMP (3) drücken, um die Raumtemperatur einzugeben (Der Einstellungsbereich liegt zwischen 30 °C Maximum und 16 °C Minimum).

Jetzt führt das Gerät das ON/OFF Programm automatisch aus.

ANMERKUNG: Die eingestellte Raumtemperatur könnte senken.



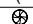
DER GEWÄHLTE TEMPERATURWERT WIRD ANGEZEIGT.

ANMERKUNG

- Wählen Sie die Funktion "Entfeuchtung", wenn Sie die Raumluftfeuchte senken wollen.
- Wenn die Funktion "Entfeuchtung" gewählt wird, läuft der Ventilator mit niedriger Geschwindigkeit oder anhält, um nicht zu zu kühlen.

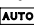
VENTILATION

Will man lediglich die Luft im Zimmer umwälzen, ohne die Temperatur zu verändern, ist wie folgt zu verfahren:

1. Die Taste MODE (Betriebsweise) drücken, bis das Ventilationssymbol  angezeigt wird.
2. Die Taste ON/OFF einmal drücken und das Klimagerät in Betrieb setzen.

WAHL DER VENTILATOR-GESCHWINDIGKEIT

AUTOMATIK

Mit der Taste FAN SPEED die Position "AUTO"  eingeben. Der Mikroprozessor wird automatisch die Ventilator-Geschwindigkeit kontrollieren. Beim Anlauf des Klimageräts wird der Unterschied zwischen Raumtemperatur und eingegebener Temperatur vom Temperatur-Sensor gemessen und zum Mikroprozessor übertragen, welcher automatisch die geeignete Ventilator-Geschwindigkeit wählt.

UNTERSCHIED ZWISCHEN RAUMTEMPERATUR UND EINGEGEBENER TEMPERATUR		VENTILATOR GESCHWINDIGKEIT
Kühlung und Entfeuchtung	2 °C und mehr	Höchste
	Zwischen 2 u. 1 °C	Mittlere
	Weniger als 1 °C	Niedrige
Heizung	2 °C und mehr	Höchste
	Weniger als 2 °C	Mittlere



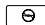
ANMERKUNG

Die in der Liste genannten Werte beziehen sich auf das Klimagerät, wenn der Sensor der Fernbedienung aktiviert wurde. (Siehe "WAHLSCHALTER DES TEMPERATURSENSORS").

Die Werte können sich ein wenig ändern, wenn der Sensor der Einheit aktiviert wird.

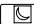
MANUELL

Zur manuellen Einstellung der Ventilator-Geschwindigkeit die Taste FAN SPEED betätigen und die gewünschte Geschwindigkeit wählen.

Hohe  Mittlere  Niedrige 
Geschwindigkeit Geschwindigkeit Geschwindigkeit

NACHT-PROGRAMM

- Das Nacht-Programm dient zum Energiesparen.

 1. Die Taste MODE drücken, um Kühlung, Entfeuchtung oder Heizung einzustellen.
 2. Die Taste SLEEP drücken.
 3. Das Symbol  erscheint auf dem Display. Zum Löschen desselben nochmals die Taste SLEEP drücken.

Was ist das Nacht-Programm?

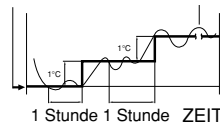
Zu Beginn kühlt oder heizt das Klimagerät den Raum bis zur eingegebenen Temperatur (SET TEMP) dann hält es an. Nach ca. 1 Stunde wird die eingegebene Temperatur automatisch wie folgt verändert (siehe graphische Darstellungen).

BETRIEBSWEISE	ÄNDERUNG DER EINGEGEBENEN TEMPERATUR
Heizung	Senkung um 1 °C
Kühlung und Entfeuchtung	Erhöhung um 1 °C

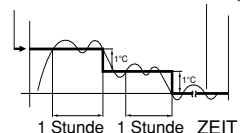
Das Klimagerät arbeitet bis zur Erreichung der eingegebenen Temperatur, dann bleibt es stehen. Nach ca. 1 Stunde wird die eingegebene Temperatur erneut um 1 °C in der Kühlphase erhöht und um 1 °C in der Heizphase gesenkt. Auf diese Weise wird Energie gespart, ohne auf den nächtlichen Komfort im Raum verzichten zu müssen.

KÜHLUNG UND ENTFEUCHTUNG

Eingegebene Temperatur Raumtemperatur



HEIZUNG
Eingegebene Temperatur Raumtemperatur



ZEITSCHALTUHR - EINSTELLUNG

An der Fernbedienung können vier Zeitschaltuhren gewählt werden. Zwei Tages-Zeitschaltuhren (T1 & T2 genannt) und als Option, zwei Wochenende-Zeitschaltuhren (WKT1 & WKT2 genannt).

Jede Zeitschaltuhr kann durch Drücken der Taste TIMER gewählt werden.

Mit den Tages-Zeitschaltuhren T1 und T2 kann Ein- und Ausschalten getrennt für zwei verschiedene Zeiträume programmiert werden. Nach der Einstellung funktioniert die Zeitschaltuhr täglich.

Mit den Wochenende-Zeitschaltuhren WKT1 und WKT2 kann Ein- und Ausschalten getrennt für zwei verschiedene Zeiträume und nur für zwei Tage programmiert werden. Diese Zeitschaltuhren werden nur an dem Einstelltag und dem darauf folgenden Tag wirksam.

Am zweiten Tag, um 24h00, wird die Zeitschaltuhr WK nicht mehr wirksam, und die Tages-Zeitschaltuhr wird ihre Funktion wieder aufnehmen.

WKT1 - aktiv am Einstelltag

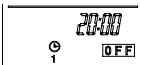
WKT2 - aktiv einen Tag nach dem Einstelltag

HINWEIS:

1. Während dem Betrieb der Wochenende-Zeitschaltuhren werden die Tages-Zeitschaltuhr außer Funktion gesetzt.
2. Die Wochenende-Zeitschaltuhren müssen vor jedem Wochenende reaktiviert werden.

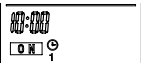
A) WIE DIE AUSSCHALT- UHRZEIT EINZUSTELLEN IST (OFF)

1. Die Taste TIMER drücken, um die gewünschte Zeitschaltuhr zu wählen.
2. Die Tasten SET und CLEAR drücken, bis die Anzeige OFF blinkt.
3. Die Taste + oder - (ZEIT) solange drücken, bis den gewünschte Wert angezeigt wird.
4. Die Taste SET drücken, um den Zeitschaltuhr zu aktivieren.



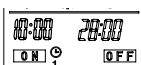
B) WIE DIE EINSCHALT- UHRZEIT EINZUSTELLEN IST (ON)

1. Die Taste TIMER drücken, um die gewünschte Zeitschaltuhr zu wählen.
2. Die Tasten SET drücken, bis die Anzeige ON blinkt.
3. Die Taste + oder - (ZEIT) solange drücken, bis den gewünschte Wert angezeigt wird.
4. Die Tasten SET und CLEAR drücken, um den Zeitschaltuhr zu aktivieren.



C) WIE DAS TAGES-PROGRAMM EINSCHALTEN/AUSSCHALTEN (ODER UMGEKEHRT) EINZUSTELLEN IST

1. Die Taste TIMER drücken, um die gewünschte Zeitschaltuhr zu wählen.
2. Die Tasten SET drücken, bis die Anzeige ON blinkt.
3. Die Taste + oder - (ZEIT) solange drücken, bis den gewünschte Wert angezeigt wird.
4. Die Tasten SET wieder drücken, die Anzeige OFF blinkt.
5. Die Taste + oder - (ZEIT) solange drücken, bis den gewünschte Wert angezeigt wird.
6. Die Taste SET drücken, um den Zeitschaltuhr zu aktivieren.



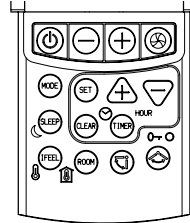
D) WIE DIE ZEITSCHALTUHR ZU NULLEN

1. Die Taste TIMER drücken, um die Zeitschaltuhr zu wählen
2. Die Taste CLEAR drücken, wenn Sie alle Zeitschaltuhr Einstellungen löschen wollen.



ANMERKUNG

Wenn das Verfahren der Timer Einstellung nach 15 Minuten nicht vollendet wird, indem Sie die Taste SET drücken, wird alle gelöscht und die letzte Einstellung gespeichert blieb.



LUFTSTROM-EINSTELLUNG

HORIZONTAL (manuell)

Der Luftstrom kann horizontal eingestellt werden, indem die vertikalen Luftleitlamellen nach links oder rechts gestellt werden, wie auf nächsten Abbildungen gezeigt ist.

VERTIKAL (mit Fernbedienung)

Mit der Fernbedienung können Sie zwei Funktionen wählen:

1. Drücken Sie die Taste um die Klappe automatisch bewegen zu lassen. Wenn drücken Sie nochmals, hält die Klappe sofort an.
2. Jedes Mal drücken Sie die Taste ändert die Position der Klappe.



VORSICHT

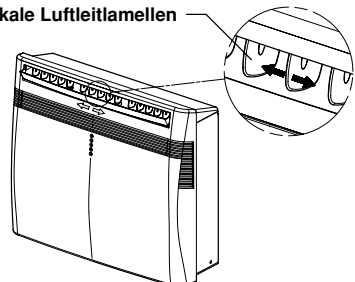
Während der Kühlung oder Entfeuchtung, besonders mit großem Feuchtigkeitsgehalt im Raum, stellen Sie die vertikalen Luftleitlamellen stirnseitig ein. Wenn die Luftleitlamellen äußerst nach links oder nach rechts gestellt werden, könnten sich Kondenswasser und Tropfen auf dem Luftauslauffitter bilden.

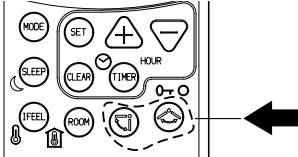
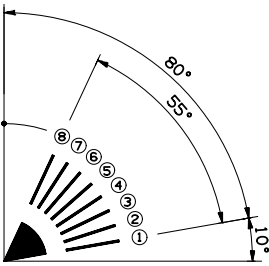


VORSICHT

Die Luftleitlamelle nicht mit den Händen bewegen bei Inbetriebnahme der Einheit auf.

Vertikale Luftleitlamellen





☛ Klappenbewegungsfunktion

Die Klappe bewegt sich automatisch nach oben und unten, um Luft über den gesamten Klappenbewegungsbereich strömen zu lassen.

ANMERKUNG

- Beim Ausschalten des Geräts schließt sich die Klappe automatisch.
- Während des Heizbetriebs ändert sich die Klappeposition nach der mit der Fernbedienung angegebenen Einstellungen.



VORSICHT

- Die Klappentaste (FLAP) an der Fernbedienung verwenden, um die Klappe auf die gewünschte Position einzustellen. Wenn die Klappe von Hand verstellt wird, stimmt ihre tatsächliche Position nicht mehr mit der an der Fernbedienung registrierten Stellung überein. In einem solchen Fall das Gerät ausschalten, warten, bis sich die Klappe schließt, und das Gerät dann wieder einschalten. Dadurch wird die normale Klappenposition wiederhergestellt.

D

WIE DIE KONDENSWASSERBEHÄLTER ZU ENTLEREEN

Das Klimagerät beseitigt die Luftfeuchte, die automatisch ablaufen lassen wird, aber auf besonderen Fälle könnte die Kondenswasser in dem Boden der Einheit bleiben. Jedes Mal sollen Sie die Einheit für einen längeren Zeitraum nicht benutzen, entleeren Sie das eventuelle Kondenswasser durch dem Dienstflußrohr, der sich unter dem Boden der Einheit befindet.

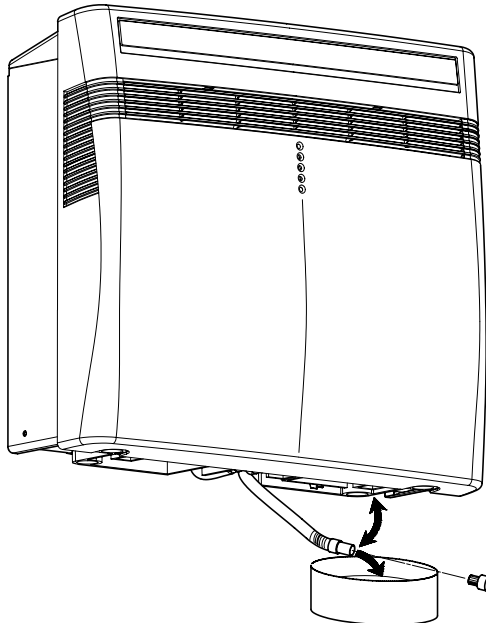


WARNUNG

- Schalten Sie immer das Klimagerät aus, bevor man den Stecker aus der Steckdose zieht.
- Den Stecker aus der Steckdose ziehen, bevor man das innere Kondenswasser ausläßt.

WICHTIG

Am Ende machen Sie den Flußrohr mit dem Stöpsel zu.



BETRIEBSWEISE OHNE FERNBEDIENUNG

Wenn die Fernbedienung nicht funktioniert oder verloren ging, wie folgt vorgehen:

1. KLIMAGERÄT AUßER BETRIEB

Wenn Sie das Klimagerät in Betrieb setzen wollen, ist die Betriebstaste zu drücken, um die gewünschte Funktion auszuwählen (COOL oder HEAT).

ANMERKUNG

Das Klimagerät wird mit der automatischen Ventilator-Geschwindigkeit und der automatischen Bewegung der Klappe einschalten.

Die Temperatur-Einstellung wird 22°C für die Kühlung Betriebsweise und 28°C für die Heizung Betriebsweise sein.

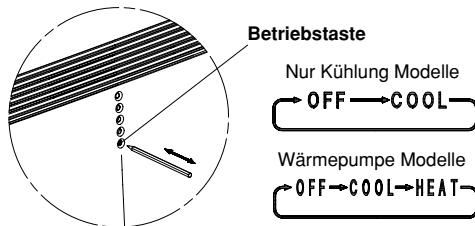
2. KLIMAGERÄT IN BETRIEB

Wollen Sie das Klimagerät abstellen, ist die Betriebstaste zu drücken, bis zum Ausschalten der Betriebsanzeigelampe.

ANMERKUNG

Stromunterbrechung während des Betriebs.

Beim Auftreten einer Stromunterbrechung hält das Klimagerät an. Wird die Versorgung wiederhergestellt, schaltet sich das Klimagerät nach 3 Minuten automatisch wieder ein.



RATSCHLÄGE FÜR HÖCHSTEN KOMFORT UND NIEDRIGSTEN VERBRAUCH

VERMEIDEN SIE:

- Den Luftzufuhr und Luftansaugrill der Einheit zu versperren. Sind diese nicht frei, arbeitet die Einheit nicht einwandfrei und könnte Schaden erleiden.
- Notfalls Sonnenschutz benutzen oder Vorhänge zuziehen, um Sonnenbestrahlung des Raumes zu verhindern.

ÜBERPRÜFEN SIE:

- Daß der Luftfilter immer sauber ist. Ein schmutziger Filter vermindert den Luftdurchlauf und setzt die Leistung der Einheit herab.
- Daß Fenster und Türen geschlossen sind, um das Eindringen nicht konditionierter Luft zu vermeiden.
- Die Raumtemperatur höher als 16°C für Kühlungsbetrieb und Entfeuchtungsbetrieb ist.

FESTSTELLUNG UND BEHEBUNG VON BETRIEBSSTÖRUNGEN



WARNUNG

- Der Gebrauch von mobilen Telefonen muß in der Nähe des Klimagerätes vermieden werden, weil sie beim Betrieb des Gerätes Störungen verursachen können. Im Falle einer Betriebsstörung (die Betriebslampe (4) leuchtet, aber die Außeneinheit läuft nicht) schalten Sie die Stromversorgung für 60 Sekunden am Hauptschalter oder durch Ziehen des Steckers ab und schalten das Gerät anschließend wieder ein.

- Falls das Klimagerät nicht richtig funktioniert, führen Sie bitte die unten aufgeführten Überprüfungen durch, bevor Sie den technischen Kundendienst rufen. Falls die Störung bleibt, wenden Sie sich an den Händler oder den Technischen Kundendienst.

Störung: Das Klimagerät läuft überhaupt nicht.

Mögliche Ursache:

1. Keine Stromzufuhr.
2. Niederdruckschalter wurde ausgelöst.
3. Netzspannung ist zu niedrig.
4. Betriebstaste ist ausgeschaltet (OFF).
5. Batterien in der Fernbedienung sind erschöpft.
6. Der Wählschalter vom Kit für Warmwasserheizung ist nicht auf der richtigen Position.

Abhilfe:

1. Für erneute Stromzufuhr sorgen.
2. Wenden Sie sich an eine Kundendienststelle.
3. Lassen Sie sich von Ihrem Elektriker oder Fachhändler beraten.
4. Taste ON/OFF erneut drücken.
5. Batterien auswechseln.
6. Stellen Sie den Wählschalter auf die Position mit dem Symbol "Klimagerät".

Störung: Das Klimagerät **arbeitet nicht** und die Warteanzeigelampe (3) blinkt.

Mögliche Ursache:

1. Fehlerhafter Sensor.

Abhilfe:

1. Wenden Sie sich an eine Kundendienststelle.

Störung: Die Timeranzeigelampe (2) Lampe blinkt, und das Klimagerät arbeitet nicht.

Mögliche Ursache:

1. Störung in der elektrischen Verdrahtung.

Abhilfe:

1. Wenden Sie sich an eine Kundendienststelle.

Störung: Kompressor läuft, kommt jedoch bald zum Stillstand.

Mögliche Ursache:

1. Ein Hindernis befindet sich vor der Luftansaugrille.

Abhilfe:

1. Hindernis entfernen.

Störung: Schlechte Kühl- oder Heizleistung.

Mögliche Ursache:

1. Luftfilter ist schmutzig oder zugesetzt.
2. Eine Wärmequelle oder viele Leute befinden sich im Raum.
3. Türen und/oder Fenster sind geöffnet.
4. Ein Hindernis befindet sich in der Nähe des Lufteinlasses oder -auslasses.
5. Die mit der Fernbedienung geregelte Temperatur ist zu hoch.
6. Außentemperatur ist zu niedrig (Wärmepumpe Ausführung).
7. Entfrostsungssystem arbeitet nicht (Wärmepumpe Ausführung).

Abhilfe:

1. Luftfilter reinigen.
2. Die Wärmequelle möglichst abschalten.
3. Diese schließen, damit keine Wärme bzw. Kälte von außen eindringt.
4. Hindernis entfernen, um einen unbehinderten Luftstrom zu gewährleisten.
5. Regeln Sie wieder die Temperatur mit der Fernbedienung.
6. Ein zweites Heizgerät einsetzen.
7. Lassen Sie sich von Ihrem Fachhändler beraten.

Störung: Die Betriebsanzeigelampe (4) blinkt, der Ventilator arbeitet, aber der Kompressor anhält.

Mögliche Ursache:

1. Ansprechen vom Schwemm-Schutzschalter für Kondenswasser in der Einheit.

Abhilfe:

1. Entleeren Sie das Kondenswasser (Sehen Sie "WIE DAS KONDENSWASSER ZU ENTLEREEN").

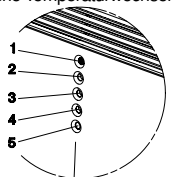
Störung: Knackgeräusche werden vom Klimagerät gehört.

Mögliche Ursache:

1. Während dem Betrieb können plötzliche Temperaturwechsel eine Ausdehnung bzw. ein Schrumpfen von Kunststoffteilen verursachen. In einem solchen Fall werden u.U. Knackgeräusche gehört.

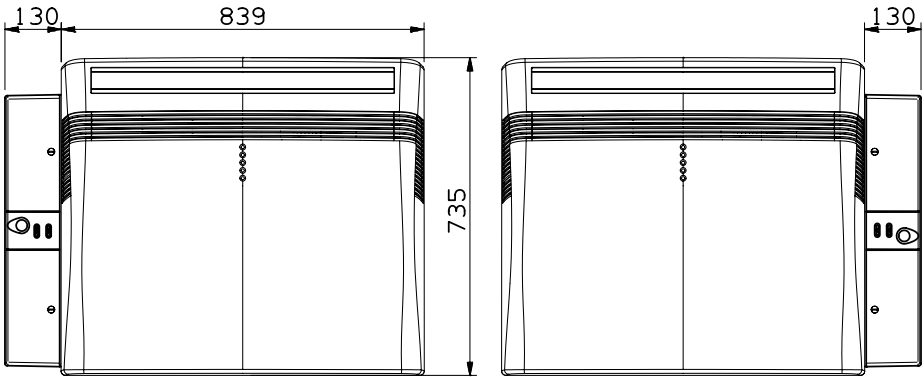
Abhilfe:

1. Dies ist normal, und die Geräusche wieder aufhören, wenn eine beständige temperatur erreicht wird.



KIT FÜR WARMWASSERHEIZUNG (NUR FÜR MODELLE 245C-235H)

Diese Einheit kann einen Radiator einer Heizanlage ersetzen. Es ist nötig den Kit für Warmwasserheizung zu kaufen, der nach der Position der Wasseranschlüsse an beiden Seiten der Einheit aufgestellt sein kann.



WARTUNG UND PFLEGE

VORSICHT! Vor Beginn der Reinigungs- und Wartungsvorgänge ist das Klimagerät abzuschalten und der Stecker aus der Steckdose zu ziehen.

1. Filterreinigung.

Der Luftfilter muß wenigstens einmal alle zwei Betriebswochen überprüft und gereinigt werden. Der Betrieb mit schmutzigen oder verstopften Filter kann die Leistung des Klimagerätes verkleinern. Der Filter ist hinter dem Stirnluftausgitter angebracht; öffnen Sie das Gitter, indem Sie nach unten ziehen, ergreifen Sie den Filter und ziehen Sie nach oben. Zur Staubentfernung einen Staubsauger benutzen. Sollte dies nicht ausreichen, den Filter mit lauwarmen Seifenwasser waschen, gut mit frischem Wasser abspülen und vor dem Wiedereinsetzen trocknen lassen.

2. Gehäusereinigung.

Das Gehäuse nur mit weichem feuchtem Tuch abwischen. Wenn das Gehäuse Flecken aufweist, mit etwas lauwarmen Seifenwasser abwischen. Auf keinem Fall mit heißem Wasser, angreifenden chemischen Mitteln oder Benzin reinigen. Kein Wasser auf die Einheit gießen. Es könnte die inneren Komponenten beschädigen oder einen Kurzschluß verursachen.

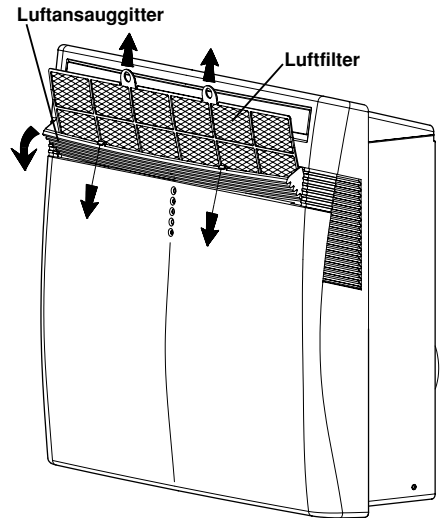
3. Nach dem Verbraucher.

Wenn Sie sollen die Einheit für einen längeren Zeitraum nicht benutzen, reinigen Sie den Filter und vergewissern Sie sich, daß kein Kondenswasser sich in dem Boden der Einheit befindet (Sehen Sie "WIE DAS KONDENSWASSER ZU ENTLEREEN"). Keine schweren Gegenstände auf das Gerät legen.

4. Transport .

Das Gerät nur senkrecht transportieren.

5. Aus Sicherheitsgründen das Stromkabel regelmäßig auf Schäden überprüfen; die elektrische Verbindung der Einheit ist Y-Type, mit dem auf spezieller Weise vorbereiteten Kabel; wenn es beschädigt ist, lassen Sie es durch einen Servicefachmann ersetzen.



FALSCH!



INDICE

EL PRODUCTO	3
SEÑALIZACIONES	3
MATERIAL SUMINISTRADO	4
INSTALACION	4
ANTES DE USAR EL ACONDICIONADOR	7
USO DEL MANDO A DISTANCIA	8
MANDO A DISTANCIA	9
REGULACION DEL RELOJ	10
REFRIGERACION	10
CALEFACCION	10
FUNCIONAMIENTO EN AUTOMATICO	10
DESHUMIDIFICACION	11
VENTILACION	11
SELECCION DE LA VELOCIDAD DEL VENTILADOR	11
PROGRAMA NOCTURNO	11
REGULACION DEL TEMPORIZADOR	12
REGULACION DEL FLUJO DE AIRE	12
COMO DESCARGAR EL AGUA DE CONDENSACION	13
FUNCIONAMIENTO SIN MANDO A DISTANCIA	14
CONSEJOS PARA OBTENER MAXIMO CONFORT CON MINIMO CONSUMO	14
PROBLEMAS DE FUNCIONAMIENTO IDENTIFICACION Y SOLUCIONES	14
KIT PARA LA CALEFACCION CON AGUA CALIENTE	15
CUIDADO Y MANTENIMIENTO	15

 **ADVERTENCIA PARA LA ELIMINACIÓN CORRECTA DEL PRODUCTO SEGUN ESTABLECE LA DIRECTIVA EUROPEA 2002/96/CE**

Al final de su vida útil, este equipo no debe eliminarse junto a los desechos domésticos.

Debe entregarse a centros específicos de recogida diferenciada locales o a distribuidores que facilitan este servicio. Eliminar por separado un equipo eléctrico y electrónico significa evitar posibles consecuencias negativas para el medio ambiente y la salud derivadas de una eliminación inadecuada y permite reciclar los materiales que lo componen, obteniendo así un ahorro importante de energía y recursos.

Para subrayar la obligación de eliminar por separado estos equipos, en el producto aparece un contenedor de basura tachado.

E

INFORMACIONES SOBRE EL PRODUCTO

Si surgen dudas o problemas con su acondicionador de aire, Ud necesita conocer las siguientes informaciones. El modelo y el número de la serie se encuentran en la tarjeta del nombre, en la unidad.

No. del modelo _____
 No. de serie _____
 Fecha de compra _____
 Dirección del distribuidor _____
 Número de teléfono _____

NOTA

Este acondicionador de aire está dotado de las siguientes funciones: refrigeración, deshumidificación y ventilación **COOL/DRY/FAN**, refrigeración, deshumidificación, calefacción, y ventilación **COOL/DRY/HEAT/FAN**. A continuación damos más detalles sobre el funcionamiento de dichas funciones; utilice esta información cuando vaya a usar su acondicionador de aire. La técnica del doble conducto a instalación fácil está en licencia de Olimpia Splendid.

DECLARACIÓN DE CONFORMIDAD
Este Producto Está marcado CE porque responde a las Directivas.
- Baja tensión n.73/23/CEE y 93/68/CEE.
- Compatibilidad eletromagnetica n. 89/336/CEE, 92/31/CEE y 93/68/CEE.
Esta declaración no tendrá efecto en el caso el producto se utilice de manera diferente a como indicado por el Fabricante y/o por el no respeto inclusive parcial, de las instrucciones de instalación y/o de uso.

SIMBOLOS DE ADVERTENCIA

Estos símbolos aparecen en este manual como señal de advertencia, para que tanto el usuario como el personal de servicio presten atención a los posibles peligros que se pueden acarrear a las personas y/o al producto.



ADVERTENCIA

Este símbolo avisa de peligros que pueden causar heridas graves o incluso muerte.



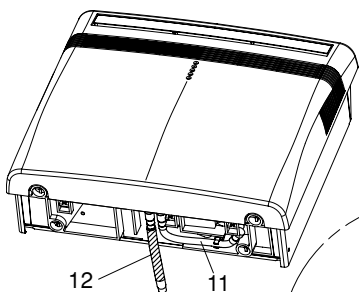
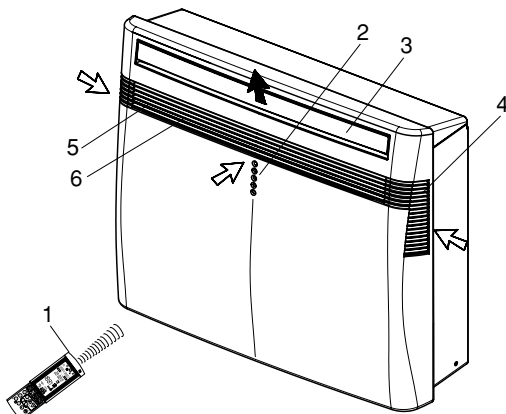
PRECAUCION

Este símbolo avisa de los daños que se pueden causar al producto.

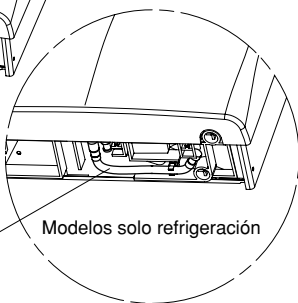
LÍMITES DE FUNCIONAMIENTO		
ENFRIAMIENTO		
CONDICIONES MÁXIMAS	TEMPERATURA EXTERIOR	43°C B.S.
	TEMPERATURA INTERIOR	32°C B.S./23°C B.H.
CONDICIONES MÍNIMAS	TEMPERATURA EXTERIOR	19°C B.S.
	TEMPERATURA INTERIOR	19°C B.S./14°C B.H.
CALEFACCION		
CONDICIONES MÁXIMAS	TEMPERATURA EXTERIOR	24°C B.S./18°C B.H.
	TEMPERATURA INTERIOR	27°C B.S.
CONDICIONES MÍNIMAS	TEMPERATURA EXTERIOR	-8°C B.S./-9°C B.H.
	TEMPERATURA INTERIOR	-
DESHUMIDIFICACION		
CONDICIONES MÁXIMAS	TEMPERATURA EXTERIOR	43°C B.S.
	TEMPERATURA INTERIOR	32°C B.S. / 80% H.R.
CONDICIONES MÍNIMAS	TEMPERATURA EXTERIOR	16°C B.S.
	TEMPERATURA INTERIOR	16°C B.S. / 80% H.R.

EL PRODUCTO

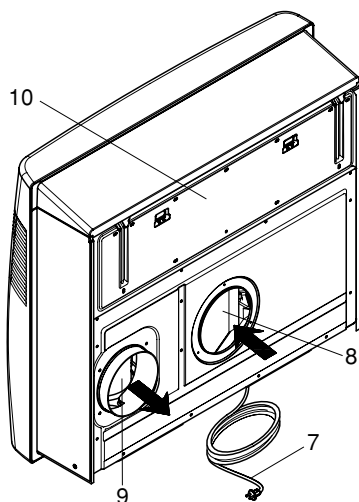
1. Mando a distancia de rayos infrarrojos
2. Señalizaciones
3. Deflector salida aire
4. Rejillas aspiración aire laterales
5. Rejilla aspiración aire frontal
6. Filtro del aire
7. Cable eléctrico con clavija
8. Agujero entrada del aire
9. Ventilador expulsión del aire
10. Placa de soporte
11. Tubo de servicio para la descarga de la condensación
12. Tubo de descarga para la condensación (modelos con bomba de calor)



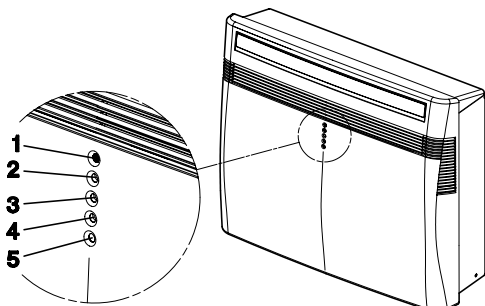
Modelos con bomba de calor



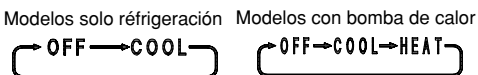
Modelos solo refrigeración



SEÑALIZACIONES



1. **Receptor:** recibe las señales enviadas por el mando a distancia.
2. **Testigo del temporizador:** se enciende cuando la unidad es controlada por el temporizador o por el programa nocturno.
3. **Testigo de espera:** Se enciende cuando el acondicionador está conectado a la corriente y listo para recibir el señal del mando a distancia.
4. **Testigo de funcionamiento:** se enciende cuando la unidad está funcionando.
El relampaguea una vez para indicar que el señal del mando a distancia a sido recibido y memorizado.
El relampaguea continuamente durante las modalidades de protección (descongelación, ecc.).
5. **Selector de funcionamiento (sin mando a distancia):** Pulsar este botón para elegir los modos de funcionamiento como indicado enseguida:

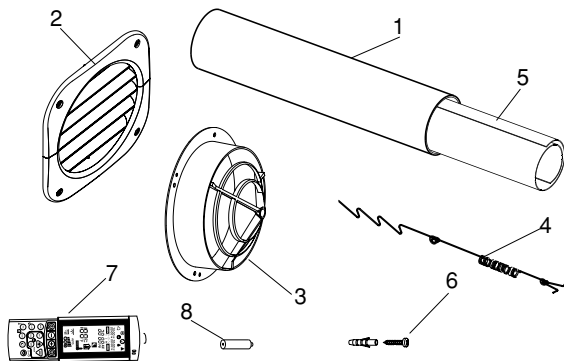


PELIGRO

La posición OFF no interrumpe la alimentación eléctrica. Para cortar la corriente es preciso usar el interruptor principal.

MATERIAL SUMINISTRADO

1. TUBO DE PLASTICO (N° 1)
2. REJILLAS EXTERIORES (N° 2)
3. REJILLAS INTERIORES (N° 2)
4. MUELLES (N° 2)
5. PLANTILLA (N° 1)
6. TACOS + TORNILLOS (N° 15)
7. MANDO A DISTANCIA (N° 1)
8. BATERIAS PARA EL MANDO A DISTANCIA (N° 2)

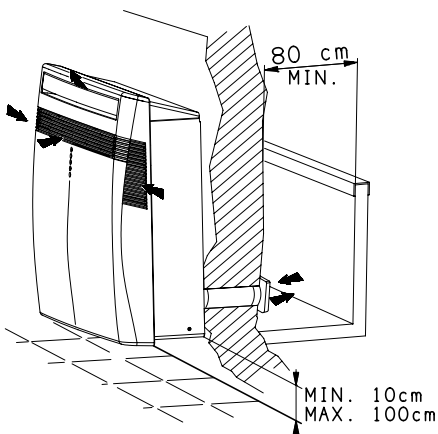


INSTALACION

La instalación del acondicionador de aire tiene que ser realizada por un técnico autorizado siguiendo las instrucciones.

DONDE INSTALAR LA UNIDAD

- Para la sustitución de un radiador en una instalación de calefacción ya existente, seguir las instrucciones del kit para la calefacción con agua caliente.
- La pared debe comunicar con el exterior.
- Fijar la unidad a una altura mínima de 10 cm y máxima de 100 cm.
- Controlar que la pared de apoyo es lo suficientemente resistente como para soportar el peso de la unidad.
- Elegir una posición de modo que se garanticen los espacios mínimos necesarios para la manutención.
- Asegurarse de que el aire circule libremente en la unidad.
- La unidad no tiene que encontrarse en una posición tal que el flujo del aire se dirija directamente a las personas, electrodomésticos o fuentes de calor.



PRECAUCION

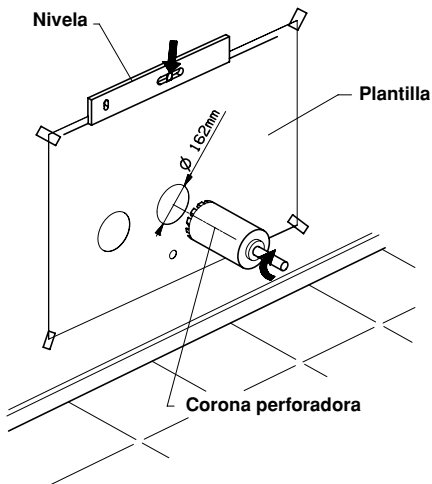
Una vez elegida la posición para la instalación, teniendo en cuenta los criterios antes expuestos, asegurarse de que no hayan partes eléctricas o instalaciones en las zonas donde se realizaran los agujeros.

Controlar además que no hayan obstáculos a la libre circulación del aire exterior a través de los tubos en la pared. Dejar una distancia mínima de 80 cm entre la unidad y eventuales paredes u obstáculos.

MONTAJE DE LA UNIDAD

- Colocar la plantilla y nivelarla.

- Realizar los dos agujeros $\varnothing 162$ mm y eventualmente el agujero $\varnothing 35$ mm para la descarga de la condensación hacia el exterior en el caso de la unidad con bomba de calor (asegurar una inclinación hacia el exterior).



- Introducir el tubo de plástico suministrado en los dos agujeros; cortar el tubo a la justa longitud: es necesario saber el espesor de la pared y deducir 70 mm.

- Fijar las dos rejillas interiores y, al exterior, las dos rejillas con las aletas hacia abajo utilizando tacos y tornillos.

- Si no fuese posible fijar las dos rejillas exteriores directamente en la pared, enganchar las dos rejillas a las interiores con los muelles suministrados como sigue:

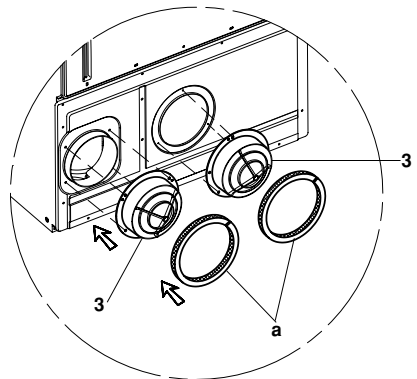
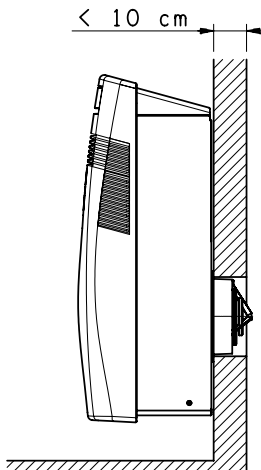
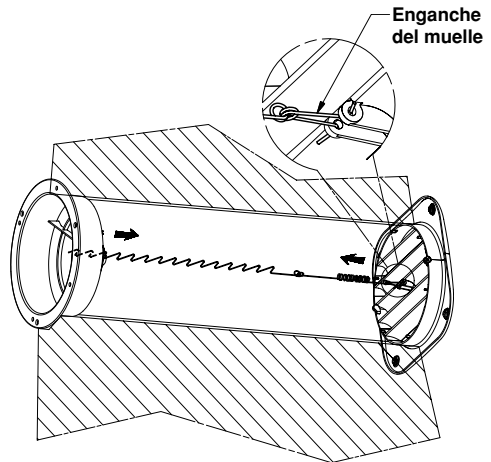
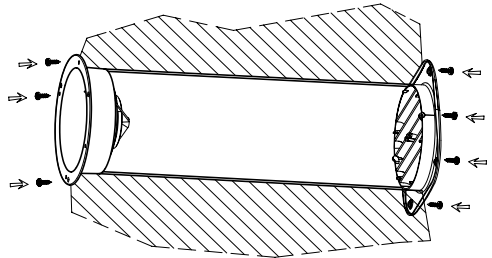
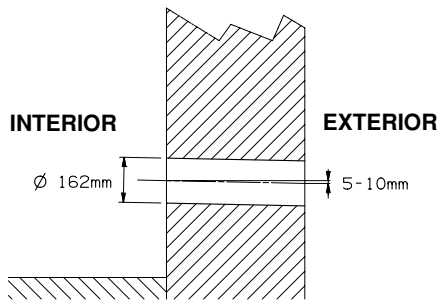
- Replegarlas sobre sí mismas, enganchar el anillo del muelle, introducir las en el tubo y abrirlas hacia el exterior.
- Elegir el anillo del muelle mas conveniente para alargar el muelle de 15-20 mm y engancharlo a la rejilla interior.
- Eliminar la parte excedente del muelle cortando cerca de los puntos de enganche.

- En caso de paredes muy sutiles (menos de 10 cm) es necesario montar las rejillas interiores en la parte trasera de la unidad quitando las guarniciones (a) desde el panel trasero y colocandolas en torno a las rejillas. El tubo y las rejillas exteriores no serán utilizadas.

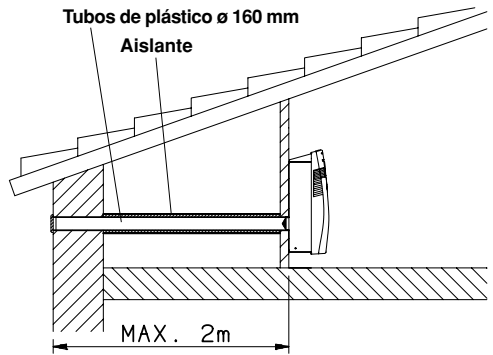


PRECAUCION

El fabricante no se asume ninguna responsabilidad si no viene respetada esta norma de seguridad.



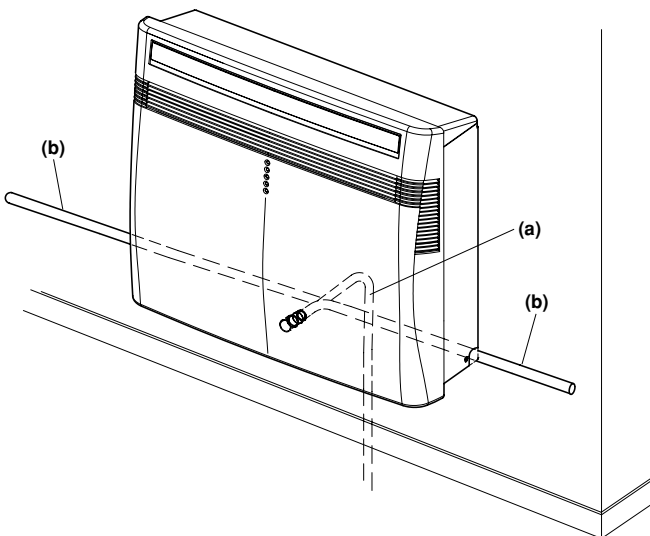
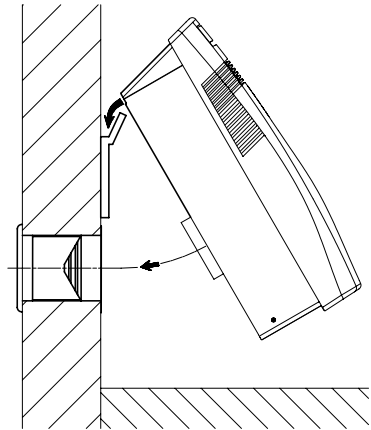
NOTA: Los tubos de plástico suministrados pueden utilizarse para paredes hasta 50 cm de espesor; en casos particulares (por ejemplo la instalación en un desván) puede ser necesario utilizar tubos mas largos. La longitud máxima admitida es 2 m. Comprar en los revendedores de material constructor el tubo de plástico del mismo diámetro ($\varnothing 160\text{mm}$), de la justa longitud y aislar al exterior con material aislante (espesor de 3-4 cm aproxim.).



- Fijar la placa de soporte en la pared en la posición indicada en la plantilla.
El tipo y la cantidad de tacos para utilizar (no suministrados) dependen de la consistencia de la pared; la placa tiene que ser bien apoyada por todas partes a la pared.

E

- Colgar la unidad a la placa con la salida del ventilador posterior introducida en la rejilla.
- En caso de instalación de un modelo con bomba de calor es necesario realizar un agujero $\varnothing 35\text{ mm}$ para la descarga de la condensación al exterior (a) como indicado en la plantilla; si no fuese posible, mantener el tubo para la descarga al interior (b). Asegurar siempre una inclinación mínima hacia el exterior de 1cm/m.
- Conectar la clavija de la unidad al enchufe.
- Verificar el correcto funcionamiento.



ANTES DE USAR EL ACONDICIONADOR

- Comprobar que la tensión eléctrica monofásica nominal de alimentación sea de 220/240 V ~ 50Hz.
- Asegurarse que la instalación eléctrica sea dimensionada para la corriente necesaria al acondicionador aparte de la corriente absorbida por otros aparatos. (electrodomésticos, luces, etc.). Ver las absorciones máximas indicadas en la placa de características del aparato.
- Se aconseja instalar antes del enchufe de alimentación un interruptor bipolar, con fusible de protección de 10 A del tipo retardado.
- La conexión a la red eléctrica de la unidad debe ser realizada conforme a las normas locales de electricidad.
- Asegurarse que los interruptores automáticos y válvulas de protección de la instalación sean capaces de soportar una corriente de arranque de 20 A (normalmente por un tiempo inferior a un segundo).
- Evitar instalar el acondicionador en lugares donde podría salpicarle el agua (como por ejemplo las lavanderías).
- El enchufe de la instalación deberá estar dotado de una toma de tierra eficaz.
- No utilizar nunca el enchufe para parar o poner en marcha el acondicionador: usar siempre el pulsador ON/OFF del mando a distancia o el selector de funcionamiento de la unidad.
- PRECAUCION No introducir objetos en el acondicionador. Es muy peligroso porque el ventilador gira a alta velocidad.
- ATENCION!
El acondicionador está dotado de un sistema de protección contra sobrecargas que impide el arranque del mismo si no han transcurrido por lo menos 3 minutos desde la parada anterior.
- Asegurarse de que el aire circule libremente en la unidad. No obstruir la salida y entrada del aire con cortinas o semejantes. No colocar nada encima del aparato de modo que no obstaculice el paso del aire.
- Cuando se enciende el acondicionador la primera vez, el alcanza la máxima eficacia después por lo menos una ora de funcionamiento.
- El fabricante no se asume ninguna responsabilidad si no vienen respetadas las normas de seguridad.



PELIGRO!

Antes de proceder al desplazamiento o limpieza del acondicionador, desconectar el enchufe eléctrico, y en caso de desplazamiento, descargar la condensación eventual en el basamento de la unidad.

USO DEL MANDO A DISTANCIA

COMO COLOCAR LAS PILAS

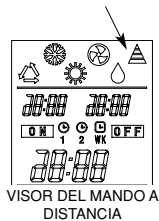
- Remover la tapa detrás del mando a distancia.
- Colocar dos pilas alcalinas tipo AAA de 1,5 V-DC. Respetar la polaridad indicada en el mando a distancia.
- La duración media de las pilas es de seis meses y varía según la frecuencia de uso del mando a distancia. Quitar las pilas si el mando a distancia no va a ser utilizado durante un período de tiempo prolongado (más de un mes).
Presionar al mismo tiempo los pulsadores +, -, SET y CLEAR después de haber sustituido las pilas. (Esta operación permite poner a cero todos los programas y volver a programar el mando a distancia). Sustituir las pilas cuando el testigo de transmisión de datos no parpadea o cuando el acondicionador de aire no responde al mando a distancia.
- Las pilas del control contienen elementos contaminantes. Cuando se descarguen deben tirarse según los requisitos locales.

SELECTOR DEL SENSOR DE TEMPERATURA

- En condiciones normales la temperatura ambiente es detectada y controlada por el sensor del acondicionador.
- Pulsar el botón I FEEL del mando a distancia para activar el sensor de temperatura del mando a distancia. Esta función tiene el objetivo de personalizar la temperatura ambiente porque el mando a distancia transmite la temperatura desde el lugar cerca de ustedes. Por eso, utilizando esta función, el mando a distancia debe ser dirigido siempre al acondicionador, sin obstrucciones.

NOTA

Normalmente el mando a distancia transmite la señal de temperatura al acondicionador de aire cada dos minutos. Si por algún problema la señal del mando a distancia se para durante más de cinco minutos, el acondicionador de aire se conmuta automáticamente al sensor de temperatura incorporado a la unidad que controla la temperatura ambiente. En estos casos la temperatura cercana al mando a distancia puede variar con respecto a la seleccionada en el acondicionador de aire.



FUNCIONAMIENTO CON MANDO A DISTANCIA



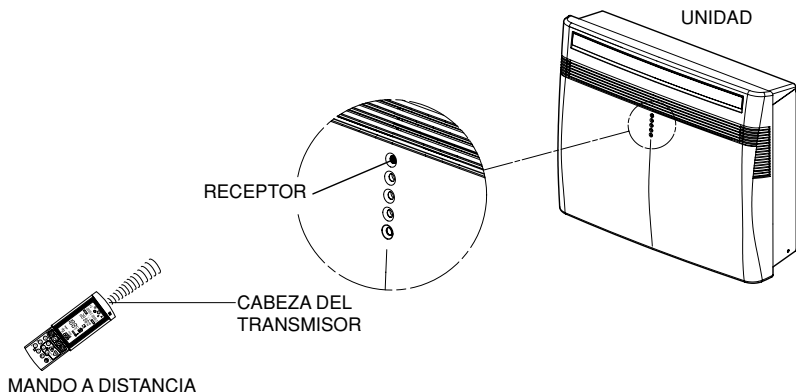
PRECAUCION

El interruptor general de alimentación debe estar ubicado en ON y el testigo de espera debe ser encendido.

Dirigir la cabeza del transmisor del mando a distancia hacia el receptor colocado en el acondicionador de aire.

COMO PONER EN MARCHA EL ACONDICIONADOR

Pulsar el botón ON/OFF para poner en marcha el acondicionador. El testigo de funcionamiento se encenderá para indicar que la unidad está en marcha.



MANDO A DISTANCIA

VISOR

Visualiza las informaciones cuando el mando a distancia está encendido.

Modo de funcionamiento

- Automático
- Refrigeración
- Calefacción
- Deshumidificación
- Ventilación

Confirmación de la transmisión de los datos al acondicionador o bloqueo del mando a distancia



Indica los tipos de programadores

Programador en ON (activado)

Reloj horas/minutos



Programa nocturno



Programador en OFF (activado)

Temperatura regulada o temperatura ambiente



Aparece cuando la temperatura es ambiente



Indica que el acondicionador funciona en modo I FEEL

Vitesse de ventilación

- Automática
- Velocidad alta
- Velocidad media
- Velocidad baja

Oscilación automática deflector conectado

TRANSMISOR

Al presionar los pulsadores del mando a distancia, el símbolo se enciende en el visor para transmitir los cambios de regulación al receptor del acondicionador de aire.

SENSOR

Este sensor de temperatura interna detecta la temperatura ambiente.

PULSADORES DE SELECCION TEMPERATURA

— (más frío)

Presionar este pulsador para disminuir la temperatura seleccionada.

+ (más calor)

Presionar este pulsador para aumentar la temperatura seleccionada.

PULSADOR FAN SPEED (velocidad del ventilador)

AUTO

La velocidad del ventilador es seleccionada automáticamente por el microprocesador.



Velocidad alta.



Velocidad media.



Velocidad baja.

PULSADOR SET

Presionar este pulsador para seleccionar las funciones:

- regulación de la hora
 - regulación del temporizador ON/OFF
- Para más información ver "REGULACION DEL RELOJ" y "REGULACION DEL TEMPORIZADOR".

PULSADORES PARA LA REGULACION DEL RELOJ Y DEL TEMPORIZADOR

Presionando los pulsadores + o - se activa la regulación del reloj y del temporizador. Para más información ver "REGULACION DEL RELOJ" y "REGULACION DEL TEMPORIZADOR".

Pulsador TIMER (ajuste del temporizador)

Presionando el pulsador TIMER en el visor se activa el procedimiento para la regulación ON/OFF del temporizador. Para más información ver el ejemplo "Regulación del temporizador".

BLOQUEO DEL MANDO A DISTANCIA

Presionando este pulsador el mando a distancia se bloquea a la última regulación. Cuando es activa el mando a distancia no logra controlar el acondicionador. Para desbloquear el mando a distancia presionar de nuevo .

SELECTOR VELOCIDAD DEFLECTOR

Presionar estos pulsadores para seleccionar la función deflector deseada

- : el deflector oscila automáticamente
- : cada vez que presionáis este pulsador el deflector se desplaza de una posición

CANCELACION DEL TEMPORIZADOR

Presionar el pulsador CLEAR para cancelar todas las programaciones del temporizador.

PULSADOR ON/OFF (encendido/apagado)

Pone en marcha el acondicionador o lo para.

PULSADOR MODO DE FUNCIONAMIENTO

Presionar este pulsador para modificar el funcionamiento del acondicionador.

(automático) ★

Al seleccionar la posición "automático" el microprocesador selecciona automáticamente entre refrigeración y calefacción en base a la diferencia entre la temperatura ambiente y la temperatura introducida en el mando a distancia.

(calefacción) ★

El aire acondicionado calienta el local.

(deshumidificación)

El aire acondicionado reduce la humedad ambiente.

(refrigeración)

El acondicionador refrigera el aire haciendo disminuir la temperatura del local.

(ventilación)

Sólo se activa la función de ventilación.

★ **COOL / DRY / HEAT / FAN**

Pulsador SLEEP (programa nocturno)

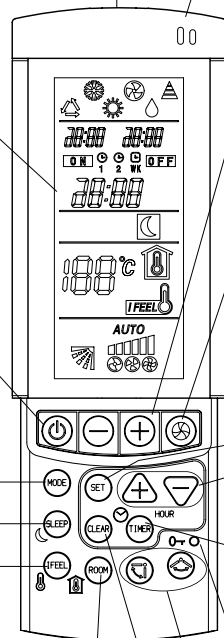
Para más información ver el apartado "Programa nocturno". Cuando se presiona este pulsador en la modalidad REFRIGERACION O DESHUMIDIFICACION la señal aparece en el visor y el microprocesador del mando a distancia regula la temperatura seleccionada para ahorrar energía.

SELECTOR DEL SENSOR DE TEMPERATURA

Presionar el pulsador I FEEL para activar el sensor de temperatura dentro del mando a distancia. Esta función permite de personalizar la temperatura ambiente.

TEMPERATURA AMBIENTE

Presionar el pulsador ROOM para visualizar la temperatura ambiente cerca del mando a distancia.



E

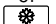
REGULACION DEL RELOJ

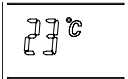
1. Presionar el pulsador SET durante cinco segundos. La indicación de la hora solamente parpadea en el visor.
2. Presionar los pulsadores + o - hasta que se visualiza la hora corriente.
3. Presionar el pulsador SET y la indicación deja de parpadear.

REFRIGERACION

NOTA

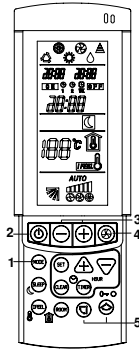
Verificar que la unidad está conectada a la alimentación eléctrica y que el testigo de espera está encendido.

1. Presionar el pulsador MODE (modo de funcionamiento) hasta que aparezca en el visor el símbolo REFRIGERACIÓN .
2. Presionar el pulsador ON/OFF y poner en marcha el acondicionador de aire.
3. Presionar los pulsadores TEMP. (3) para introducir la temperatura deseada (el campo de regulación varía entre 30 °C máximo y 16 °C mínimo).

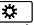


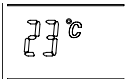
EL VISOR INDICARA EL VALOR DE LA TEMPERATURA SELECCIONADA.

4. Presionar el pulsador FAN SPEED para introducir la velocidad del ventilador.
5. Presionar el pulsador FLAP y regular la dirección del flujo de aire en el modo deseado. (Ver "Regulación del flujo de aire").



CALEFACCION (con bomba de calor)

1. Presionar el pulsador MODE (modo de funcionamiento) hasta que aparezca en el visor el símbolo CALEFACCION .
2. Presionar el pulsador ON/OFF y poner en marcha el acondicionador de aire.
3. Presionar los pulsadores TEMP. (3) para introducir la temperatura deseada (el campo de regulación varía entre 30 °C máximo y 16 °C mínimo).



EL VISOR INDICARA EL VALOR DE LA TEMPERATURA SELECCIONADA.

4. Presionar el pulsador FAN SPEED para introducir la velocidad del ventilador.
5. Presionar el pulsador FLAP y regular la dirección del flujo de aire en el modo deseado. (Ver "Regulación del flujo de aire").

NOTA

Una vez activada la función de calefacción el ventilador se parará. Esto se debe a la protección "Prevención corriente aire frío", que habilita el funcionamiento del ventilador cuando el intercambiador de calor se ha calentado lo suficiente.

Durante este período el testigo de espera sera encendido.


DESCONGELACION DEL INTERCAMBIADOR DE CALOR EXTERNO

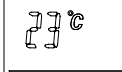
Si la temperatura externa desciende por debajo de 0 °C la formación de hielo en la batería externa reduce la capacidad de calefacción. Cuando esto sucede el microprocesador ordena la inversión del funcionamiento del acondicionador de aire (descongelación). Con esta función activada el ventilador de la unidad se para y el testigo de funcionamiento parpadea mientras dura la descongelación. Después de unos segundos, el funcionamiento en modo calefacción inicia de nuevo en relación con la temperatura ambiente y la temperatura externa.

FUNCIONAMIENTO COMO "BOMBA DE CALOR"

Un acondicionador de aire que funciona como bomba de calor calienta el ambiente absorbiendo calor del aire exterior. La capacidad (eficiencia) del sistema disminuye cuando la temperatura externa desciende por debajo de 0 °C. Si el acondicionador de aire no consigue mantener un valor de temperatura suficientemente alto se debe complementar la calefacción con la instalación de otro aparato.


FUNCIONAMIENTO EN AUTOMATICO

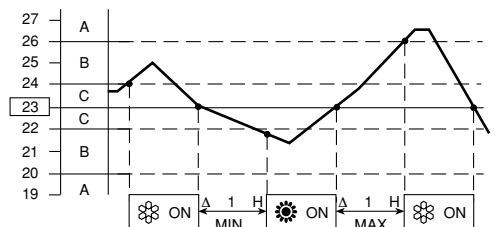
1. Presionar el pulsador MODE (modo de funcionamiento) hasta que aparezca en el visor el símbolo AUTOMATICO .
2. Presionar el pulsador ON/OFF y poner en funcionamiento el acondicionador de aire.
3. Presionar el pulsador TEMP. (3) para introducir la temperatura deseada (el campo de regulación varía entre 30 °C máximo y 16 °C mínimo).



EL VISOR INDICARA EL VALOR DE LA TEMPERATURA SELECCIONADA.

- El acondicionador de aire pasará automáticamente del modo calefacción al modo refrigeración (o viceversa) para mantener la temperatura introducida.
4. Presionar el pulsador FAN SPEED para introducir la velocidad del ventilador.

Ejemplo: esquema de funcionamiento en modo  (Auto) con temperatura ambiente seleccionada de 23 grados.




NOTA

El climatizador cambia el modo de funcionamiento (de frío a calor o viceversa) al verificarse alguna de las siguientes condiciones:

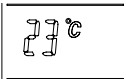
- **ZONA A:** cambia si la temperatura varía como mínimo 3°C con respecto a la introducida en el mando a distancia.
- **ZONA B:** cambia si la temperatura varía como mínimo 1°C con respecto a la introducida en el mando a distancia una hora después de que se para el compresor.
- **ZONA C:** no cambia mientras la temperatura no varíe más de 1°C con respecto a la introducida en el mando a distancia.

DESHUMIDIFICACION

1. Presionar el pulsador MODE (modo de funcionamiento) hasta que aparezca en el visor el símbolo DESHUMIDIFICACION .
2. Presionar el pulsador ON/OFF y poner en marcha el acondicionador de aire.
3. Presionar el pulsador TEMP. (3) para introducir la temperatura ambiente (el campo de regulación varía entre 30 °C máximo y 16 °C mínimo).

Ahora el acondicionador de aire ejecuta en automático unos ciclos de encendido/apagado.

NOTA: La temperatura ambiente seleccionada podría disminuir.



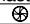
EL VISOR INDICARA EL VALOR DE LA TEMPERATURA SELECCIONADA.

NOTA

- Usar la función de deshumidificación para reducir la humedad ambiente del aire.
- Con la función de deshumidificación accionada, el ventilador gira a velocidad baja o se para para evitar la demasiada refrigeración.

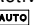
VENTILACION

Si desea hacer circular el aire sin modificar la temperatura, proceda como sigue:

1. Presionar el pulsador MODE (modo de funcionamiento) hasta que aparezca en el visor el símbolo VENTILACION .
2. Presionar el pulsador ON/OFF y poner en marcha el acondicionador de aire.

SELECCION DE LA VELOCIDAD DEL VENTILADOR

AUTOMATICO

Activar con el pulsador FAN SPEED la posición . El microprocesador controlará automáticamente la velocidad del ventilador. Cuando el climatizador comienza a funcionar el sensor de temperatura detecta la diferencia entre la temperatura ambiente y la temperatura introducida y la transmite al microprocesador, que automáticamente selecciona la velocidad idónea del ventilador.

NOTA

En la modalidad VENTILACION la velocidad del ventilador está regulada automáticamente como en la modalidad refrigeración.

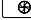
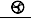
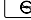
DIFERENCIA ENTRE TEMPERATURA AMBIENTE Y TEMPERATURA INTRODUCIDA	VELOCIDAD DEL VENTILADOR	
Refrigeración y deshumidificación	2 °C y superiores	Máxima
	Entre 2 y 1 °C	Media
	Menos de 1 °C	Mínima
Calefacción	2 °C y superiores	Máxima
	Menos de 2 °C	Media

NOTA


Los valores indicados en la tabla hacen referencia al funcionamiento del acondicionador de aire cuando está habilitado el sensor del mando a distancia (ver selector del sensor de temperatura). Los valores indicados varían ligeramente si está habilitado el sensor de la unidad.

MANUAL

Para regular manualmente la velocidad del ventilador utilizar el pulsador FAN SPEED y seleccionar la velocidad deseada.

 Velocidad alta  Velocidad media  Velocidad baja

PROGRAMA NOCTURNO

- El programa nocturno sirve para ahorrar energía eléctrica.
1. Presionar el pulsador MODE para poner el acondicionador de aire en refrigeración, deshumidificación o calefacción.
 2. Presionar el pulsador SLEEP.
 3. El símbolo  aparece en el visor. Para abandonar el programa presionar nuevamente el pulsador SLEEP.

¿Qué es el Programa Nocturno?

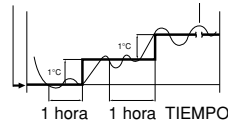
El acondicionador refrigera o calienta el local hasta alcanzar la temperatura introducida (SET TEMP) y luego se para. A la hora aproximadamente la temperatura introducida se modifica automáticamente como se describe a continuación (ver gráficos).

MODO DE FUNCIONAMIENTO	MODIFICACION TEMPERATURA
Calefacción	Disminuye 1 °C
Refrigeración y Deshumidificación	Aumenta 1 °C

El acondicionador funciona hasta alcanzar la nueva temperatura introducida y luego se para. A la hora aproximadamente la temperatura introducida aumenta de nuevo automáticamente 1 °C en refrigeración y disminuye 1 °C en calefacción. De este modo se ahorra energía sin perjudicar el confort nocturno del local.

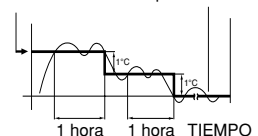
REFRIGERACION Y DESHUMIDIFICACION

Temperatura introducida Temperatura ambiente



CALEFACCION

Temperatura introducida Temperatura ambiente



REGULACION DEL TEMPORIZADOR

En el mando a distancia pueden seleccionarse cuatro temporizadores. Dos temporizadores cotidianos (designados T1, T2) y dos temporizadores optativos para fines de semana (designados WKT1, WKT2). Cada uno de los temporizadores puede seleccionarse presionando el botón TIMER.

Los temporizadores cotidianos T1 y T2 se pueden regular por separado en ON y OFF para dos distintos períodos de tiempo. Cuando el temporizador está programado vuelve a funcionar cuando se lo pone en marcha.

Los temporizadores para fin de semana WKT1 y WKT2 se pueden programar por separado en ON y OFF para dos distintos períodos de tiempo, pero únicamente para dos días.

Solo será efectivo el día de la programación y al día siguiente. A las 24.00 del segundo día, el reloj WK ya no será eficaz y el temporizador cotidiano se repone.

E WKT1 - eficaz el día en que se programa.

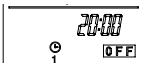
WKT2 - eficaz al día siguiente del día de la programación

NOTA:

1. Durante el funcionamiento del temporizador de fin de semana, los temporizadores cotidianos quedan fuera de servicio.
2. Los temporizadores WK deben reactivarse antes de cada fin de semana.

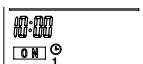
A) COMO REGULAR LA HORA DE PARADA (OFF)

1. Presionar el pulsador TIMER para seleccionar el temporizador deseado.
2. Presionar los pulsadores SET y CLEAR hasta que la indicación OFF parpadea.
3. Presionar los pulsadores + o - (HORA) hasta visualizar el valor deseado.
4. Presionar el pulsador SET para activar el temporizador.



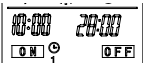
B) COMO REGULAR LA HORA DE INICIO (ON)

1. Presionar el pulsador TIMER para seleccionar el temporizador deseado.
2. Presionar el pulsador SET hasta que la indicación ON parpadea.
3. Presionar los pulsadores + o - (HORA) hasta visualizar el valor deseado.
4. Presionar los pulsadores SET y CLEAR para activar el temporizador.



C) COMO REGULAR EL PROGRAMA DIARIO ENCENDIDO/APAGADO (O VICEVERSA)

1. Presionar el pulsador TIMER para seleccionar el temporizador deseado.
2. Presionar el pulsador SET hasta que la indicación ON parpadea.
3. Presionar los pulsadores + o - (HORA) hasta visualizar el valor deseado.
4. Presionar de nuevo el pulsador SET y la indicación OFF parpadea.
5. Presionar los pulsadores + o - (HORA) hasta visualizar el valor deseado.
6. Presionar el pulsador SET para activar el temporizador.



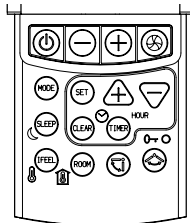
D) COMO CANCELAR EL TEMPORIZADOR

1. Presionar el pulsador TIMER para seleccionar el temporizador.
2. Presionar el pulsador CLEAR si queréis cancelar todas las programaciones del temporizador.



NOTA

Si la procedimiento de programación del temporizador no a sido completada entre 15 segundos presionando el pulsador SET, será cancelada y la última programación se quedará memorizada.





REGULACION DEL FLUJO DE AIRE

HORIZONTAL (manual)

Para regular horizontalmente el flujo de aire, dirigir las aletas verticales hacia la izquierda o hacia la derecha como puede verse a continuación.

VERTICAL (con mando a distancia)

El mando a distancia permite de regular el deflector de dos maneras:

1. Presionar el pulsador  para hacer oscilar el deflector. Presionando de nuevo el mismo pulsador el deflector se para enseguida.
2. Presionar el pulsador  para desplazar el deflector desde una posición a la otra.



PRECAUCION

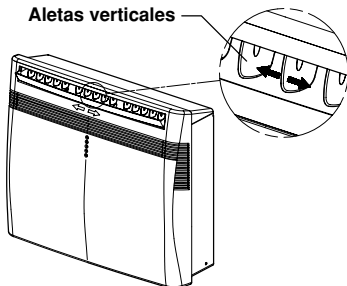
Durante la refrigeración o la deshumidificación, sobre todo con un alto nivel de humedad en el ambiente, orientar frontalmente las aletas verticales. Si se orientan hacia la derecha o hacia la izquierda el vapor se puede condensar y formar gotas que saldrán por la rejilla de salida del aire.

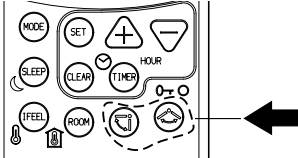
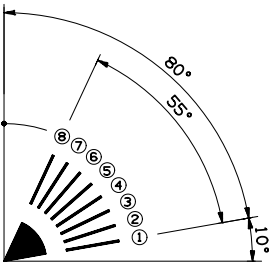


PRECAUCION

No quitar el deflector con las manos mientras funciona el aparato.

Aletas verticales





Función de direccionamiento del aire
El deflector comienza el movimiento oscilatorio para difundir el aire en la zona de direccionamiento.

NOTA

- El deflector se cierra automáticamente cuando el sistema se apaga.
- Durante la función de calefacción, la posición del deflector cambia según los datos introducidos con el mando a distancia.



PRECAUCION

- Usar el pulsador FLAP del mando a distancia para regular la posición del deflector. Si se regula a mano, la posición en el mando a distancia podría no corresponder con la posición real. Cuando esto ocurre, apagar el sistema, esperar a que el deflector se cierre y volver a encender el acondicionador de aire; el deflector vuelve a su posición normal.

E

COMO DESCARGAR EL AGUA DE CONDENSACION

El acondicionador absorbe la humedad del aire y la descarga automáticamente, pero en condiciones particulares la condensación podría quedarse dentro de la unidad. Cuando se decide no utilizar el acondicionador por un largo período de tiempo, descargar la condensación eventual a través del tubo de servicio situado debajo del basamento de la unidad.

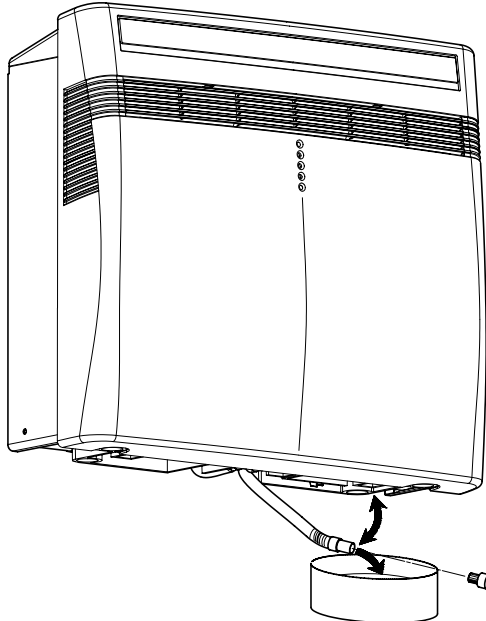


PELIGRO!

- Apagar siempre el acondicionador antes de desconectar el enchufe eléctrico
- Desconectar siempre el enchufe eléctrico antes de vaciar la condensación dentro de la unidad.

IMPORTANTE

Después de esta operación volver a colocar el tapón del tubo.



FUNCIONAMIENTO SIN MANDO A DISTANCIA

Si el mando a distancia no funciona o se ha perdido, actuar como se indica a continuación.

1. ACONDICIONADOR DE AIRE PARADO

Para poner en marcha el acondicionador de aire presionar el selector de funcionamiento con una pluma y seleccionar la modalidad deseada (COOL o HEAT).

NOTA

El acondicionador se pondrá en marcha con la velocidad automática del ventilador y con el deflector en oscilación.

La programación de la temperatura es 22°C para la modalidad de refrigeración y 28°C para la calefacción.

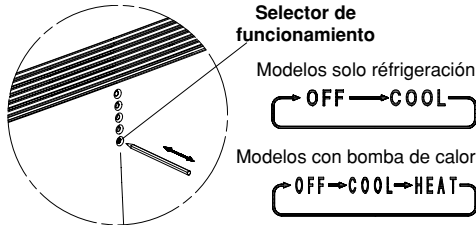
2. ACONDICIONADOR DE AIRE EN MARCHA

Para parar el acondicionador de aire presionar el selector de funcionamiento con una pluma hasta apagar el testigo de funcionamiento.

NOTA

Corte de corriente durante el funcionamiento.

Si se produce un corte de corriente el acondicionador de aire se para. Cuando se restablece la alimentación eléctrica el acondicionador de aire reinicia automáticamente a los 3 minutos.



CONSEJOS PARA EL MAXIMO CONFORT Y AHORRO DE ENERGIA

EVITAR:

- Obstruir la salida o entrada del aire; de lo contrario, la unidad no funcionará correctamente y puede estropearse.
- Exponer la unidad directamente a la luz solar. Protéjala con persianas, pantallas o cortinas.

PREFERIBLE:

- Procure mantener el filtro siempre limpio. Un filtro obstruido puede perjudicar el rendimiento de la unidad.
- Para evitar infiltraciones de aire no acondicionado, mantenga puertas y ventanas cerradas.
- La temperatura ambiente es superior a 16 °C para la refrigeración y la deshumidificación.

IDENTIFICACION Y SOLUCION DE PROBLEMAS



ADVERTENCIA

- Debe evitarse el uso de teléfonos celulares en proximidad del acondicionador porque podría crear interferencias y anomalías en su funcionamiento. Si se detectase un funcionamiento anómalo (el testigo de funcionamiento (4) se enciende, pero la unidad no funciona) desactivar la alimentación eléctrica del mismo durante 60 segundos y después volver a poner en marcha el acondicionador.

- Si su acondicionador de aire no funciona correctamente, compruebe los siguientes aspectos antes de llamar al servicio de reparación. Si el problema no puede ser solucionado, contacte con el Servicio de Asistencia.

Problema: El acondicionador de aire no arranca.

Posible causa:

1. Fallo en la corriente.
2. Rotura del fusible.
3. Voltaje demasiado bajo.
4. Botón ON/OFF en posición OFF.
5. Las pilas del mando a distancia están gastadas.
6. El selector del kit para la calefacción con agua no está en la posición correcta.

Solución:

1. Restablecer la corriente.
2. Contactar Servicio de Asistencia.
3. Consultar a su electricista.
4. Pulsar el botón ON/OFF.
5. Colocar pilas nuevas.
6. Poner el selector en la posición correspondiente al símbolo "acondicionador".

Problema: El acondicionador no arranca y el testigo de espera (3) relampaguea.

Posible causa:

1. Sonda defectuosa.

Solución:

1. Contactar Servicio de Asistencia.

Problema: El testigo del temporizador (2) se enciende y el acondicionador no arranca.

Posible causa:

1. Problemas en el sistema eléctrico.

Solución:

1. Contactar Servicio de Asistencia.

Problema: El compresor funciona pero se para en seguida.

Posible causa:

1. Rejillas de aspiración obstruidas.

Solución:

1. Eliminar la obstrucción.

Problema: La refrigeración o la calefacción son insuficiente.

Posible causa:

1. Filtros del aire sucios o obstruidos.
2. Fuente de calor cercana o habitación demasiado concurrida
3. Puertas y/o ventanas abiertas.
4. Obstrucción cerca de la entrada o salida del aire.
5. Temperatura reglada con el mando a distancia demasiado alta.
6. Temperatura del aire externo muy baja (versión bomba de calor).
7. El sistema de descongelación de la unidad externa en modo calefacción no funciona (versión bomba de calor).

Solución:

1. Limpiar los filtros de aire.
2. Eliminar la fuente de calor.
3. Cerrarlas para evitar corriente.
4. Eliminar para asegurar un buen flujo de aire.
5. Ajuste de la Temperatura reglada con el mando a distancia.
6. Añadir otra fuente de calor.
7. Avisar al Servicio de Asistencia.

Problema: El testigo de funcionamiento (4) relampaguea, el ventilador funciona, pero el compresor está parado.

Posible causa:

1. Intervención del interruptor de seguridad a flotador para excesiva condensación.

Solución:

1. Vaciar la condensación (ver "COMO DESCARGAR EL AGUA DE CONDENSACION").

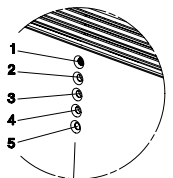
Problema: El acondicionador produce ligeros crujidos.

Posible causa:

1. Durante el funcionamiento las partes de plástico sufren dilataciones/contracciones que causan este fenómeno.

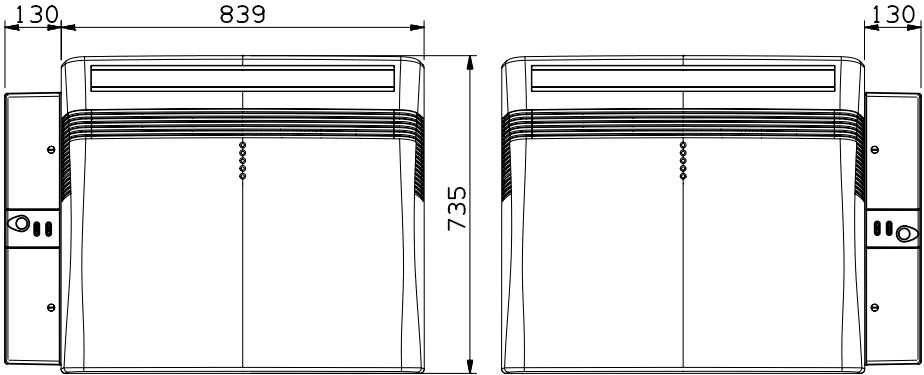
Solución:

1. Situación totalmente normal; los ligeros crujidos desaparecerán cuando se alcanzara una temperatura regular.



KIT PARA LA CALEFACCION CON AGUA CALIENTE (SOLO PARA MODELOS 245C-235H)

Este acondicionador puede sustituir un radiador en una instalación de calefacción ya existente. Es necesario comprar el kit para la calefacción con agua caliente que puede ser instalado en ambos lados de la unidad según la posición de las conexiones del agua.



MANTENIMIENTO Y LIMPIEZA

ATENCIÓN! Antes de realizar cualquier operación de limpieza y/o de mantenimiento desconectar la clavija de su enchufe.

1. Limpieza del filtro del aire.

El filtro debe ser controlado al menos una vez cada dos semanas de funcionamiento. El filtro sucio o obstruido causa una disminución de la eficacia del acondicionador y puede provocar graves inconvenientes. El filtro está situado detrás de la rejilla de aspiración frontal: abrir la rejilla tirando hacia abajo los dos enganches, agarrar el filtro y tirar hacia arriba. Utilizar una aspiradora para eliminar el polvo almacenado. Si no fuese suficiente, lavar el filtro con agua templada ligeramente jabonosa, enjuagarlo con agua fría y secar antes de volver a montarlo.

2. Limpieza de la envoltura y rejillas.

Para limpiar el acondicionador basta frotarlo con un paño suave ligeramente humedecido. Para eliminar manchas usar agua jabonosa. No usar disolventes, gasolina o otros compuestos químicos agresivos ni agua demasiado caliente. No volcar agua sobre el aparato para limpiarlo; se pueden dañar los componentes internos o provocar un corto circuito.

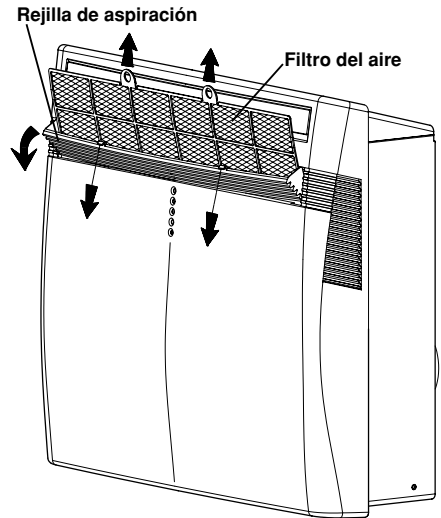
3. Después el uso.

Cuando se decide no utilizar el acondicionador por un largo período de tiempo, limpiar el filtro y verificar que no haya agua de condensación en el basamento (ver "COMO DESCARGAR EL AGUA DE CONDENSACION"). No apoyar objetos pesados en la parte superior del aparato.

4. Transporte.

Si desea transportar el acondicionador, mantenerlo siempre que sea posible en posición vertical.

5. Para una mayor seguridad aconsejamos verificar periódicamente el cable de alimentación; la conexión eléctrica de la unidad es del tipo Y con el cable preparado en modo especial; si éste presenta síntomas de deterioro háganlo sustituir para el distribuidor o el Servicio Asistencia.



NO!

ÍNDICE

O PRODUTO	3
LAMPADAS	3
ACESSÓRIOS FORNECIDOS COM A UNIDADE	4
INSTALAÇÃO	4
ANTES DE USAR O APARELHO	7
UTILIZAÇÃO DA UNIDADE DE CONTROLE REMOTO	8
UNIDADE DE CONTROLE REMOTO	9
COMO AJUSTAR O RELÓGIO	10
ARREFECIMENTO	10
AQUECIMENTO	10
OPERAÇÃO AUTOMÁTICA	10
DESUMIDIFICAÇÃO	11
VENTILAÇÃO	11
AJUSTE DA VELOCIDADE DO VENTILADOR	11
PROGRAMA NOTURNO	11
AJUSTE DO "TIMER"	12
AJUSTE DA DIREÇÃO DO FLUXO DE AR	12
COMO ESVAZIAR A CONDENSAÇÃO ACUMULADA	13
OPERAÇÃO SEM A UNIDADE DE CONTROLE REMOTO	14
SUGESTÕES PARA GARANTIR O MÁXIMO CONFORTO E O MÍNIMO CONSUMO	14
POSSÍVEIS CAUSAS E REPARAÇÃO DE AVARIAS	14
KIT PARA AQUECIMENTO COM ÁGUA QUENTE	15
CUIDADOS E MANUTENÇÃO	15



ADVERTÊNCIA PARA A ELIMINAÇÃO CORRECTA DO PRODUTO NOS TERMOS DA DIRECTIVA EUROPEIA 2002/96/CE

No fim da sua vida útil, este equipamento não deve ser eliminado juntamente com o lixo doméstico.

Deve ser depositado nos centros especializados de recolha diferenciada locais ou nos revendedores que forneçam este serviço.

Eliminar separadamente um equipamento eléctrico e electrónico permite evitar possíveis conseqüências negativas para o ambiente e para a saúde pública resultantes de uma eliminação inadequada, além de que permite recuperar e reciclar os materiais

constituíntes para, assim, obter uma importante poupança de energia e de recursos.

Para assinalar a obrigação de eliminar estes equipamentos separadamente, o produto apresenta a marca de um bidão do lixo com uma cruz por cima.

P

INFORMAÇÕES SOBRE O PRODUTO

Se tem alguma questão ou problema respeitante ao seu aparelho de ar condicionado vai necessitar da informação que se segue. O modelo e o número de série estão indicados na placa de dados aplicada na unidade.

Número do modelo _____
 Número de série _____
 Data da compra _____
 Endereço do representante _____
 Telefone _____

N.B.

Este aparelho de ar condicionado está equipado com as funções de arrefecimento, desumidificação e ventilação [COOL/DRY/FAN], arrefecimento, aquecimento, desumidificação e ventilação [COOL/DRY/HEAT/FAN]. Detalhes sobre estas funções são indicados abaixo. A técnica dobró do tubo instalação fácil está na licença de Olimpia Splendid.

DECLARAÇÃO DE CONFORMIDADE

Este produto tem a marca **CE** porque responde às Directrizes:

– Baixa tensão N° 73/23/CEE, 93/68/CEE.

– Compatibilidade eletromagnética n° 89/336/CEE, 92/31/CEE e 93/68/CEE.

Esta declaração será considerada nula se a sua utilização for diferente da do fabricante e/ou se não forem seguidas, mesmo que parcialmente, as instruções de instalação e/ou de modo de emprego.

SÍMBOLOS DE ALERTA

Os símbolos que se seguem são utilizados neste manual para o alertar para condições potencialmente perigosas para os utilizadores, manutenção ou o próprio aparelho:



ADVERTÊNCIA

Este símbolo refere-se a um perigo ou mau manuseamento que pode resultar em danos pessoais severos ou morte.



PRECAUÇÃO

Este símbolo refere-se a um perigo ou mau manuseamento que pode resultar em danos pessoais, do produto ou dos objectos que o cercam.

LIMITES DE OPERAÇÃO

ARREFECIMENTO

CONDIÇÕES MÁXIMAS	TEMPERATURA EXTERIOR	43°C B.S.
	TEMPERATURA AMBIENTE	32°C B.S./23°C B.U.

CONDIÇÕES MÍNIMAS	TEMPERATURA ESTERNA	19°C B.S.
	TEMPERATURA AMBIENTE	19°C B.S./14°C B.U.

AQUECIMENTO

CONDIÇÕES MÁXIMAS	TEMPERATURA EXTERIOR	24°C B.S./18°C B.U.
	TEMPERATURA AMBIENTE	27°C B.S.

CONDIÇÕES MÍNIMAS	TEMPERATURA EXTERIOR	-8°C B.S./-9°C B.U.
	TEMPERATURA AMBIENTE	-

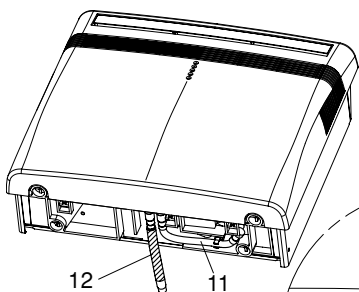
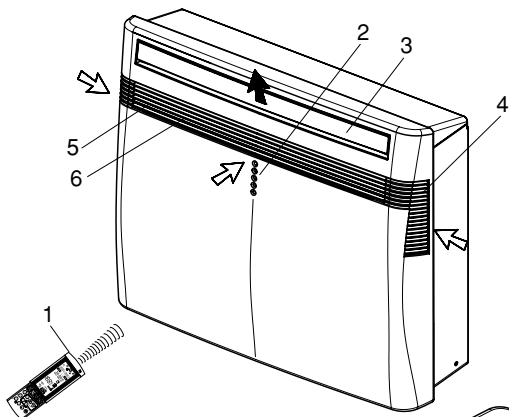
DESUMIDIFICAÇÃO

CONDIÇÕES MÁXIMAS	TEMPERATURA EXTERIOR	43°C B.S.
	TEMPERATURA AMBIENTE	32°C B.S. / 80% U.R.

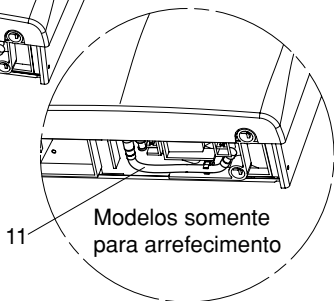
CONDIÇÕES MÍNIMAS	TEMPERATURA EXTERIOR	16°C B.S.
	TEMPERATURA AMBIENTE	16°C B.S. / 80% U.R.

O PRODUTO

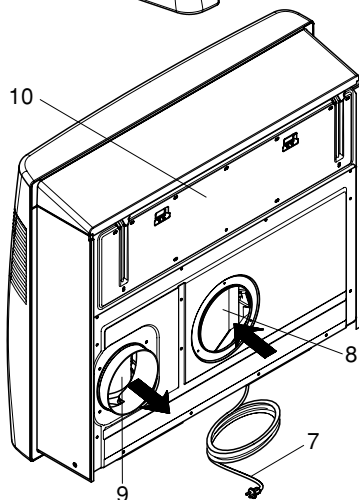
1. Mando a distancia de raios infrarrojos
2. Señalizaciones
3. Deflector salida aire
4. Grelhas laterais para aspiração de ar
5. Grelha frontal para aspiração de ar
6. Filtro aire
7. Cable eléctrico con clavija
8. Furo de entrada de ar
9. Ventoinha de expulsão de ar
10. Painei de suspensão
11. Tubo de serviço para drenagem da condensação
12. Tubo para drenagem da condensação (modelos com bomba de calor)



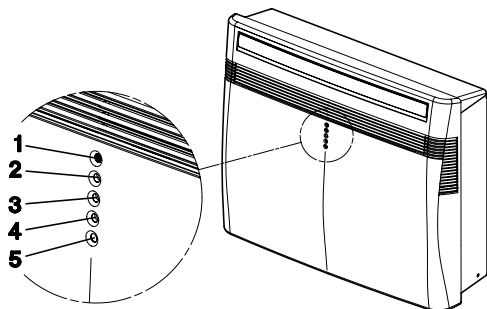
Modelos com bomba de calor



Modelos somente para arrefecimento

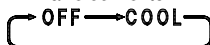


LAMPADAS



1. **Receptor** : recebe os sinais enviados pelo controle remoto.
2. **Lâmpada TIMER**: Esta lâmpada acende-se quando controlada pelo timer ou pelo modo SLEEP.
3. **Lâmpada de espera**: Esta lâmpada acende-se quando o condicionador está conectado à corrente e está pronto para receber o sinal pelo controle remoto.
4. **Lâmpada de operação**: Esta lâmpada acende-se quando o sistema está em funcionamento. Lampeja uma vez para avisar que o sinal do controle remoto foi recebido e memorizado. Lampeja seguidamente durante as funções de proteção (descongelamento, etc.).
5. **Selector de operação (sem a unidade de controle remoto)**: Pressione o botão para selecionar os modos de operação:

Modelos somente para arrefecimento



Modelos com bomba de calor

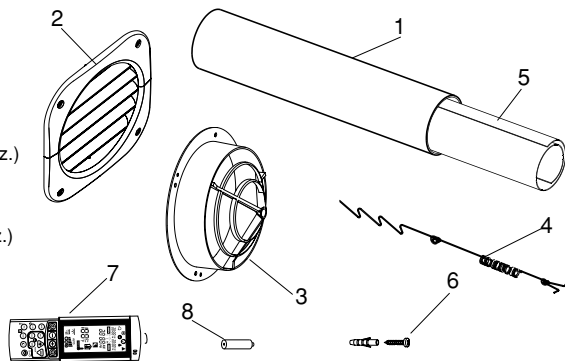


ADVERTÊNCIA

A posição OFF não desliga o aparelho da alimentação matriz. Para desligar o aparelho completamente, utilize o interruptor da alimentação matriz.

ACESSÓRIOS FORNECIDOS COM A UNIDADE

1. TUBO DE PLÁSTICO (1pz.)
2. GRELHAS EXTERIORES (2pz.)
3. GRELHAS INTERIORES (2pz.)
4. PUXADORES DE MOLLA (2pz.)
5. MOLDE DE PERFURAÇÃO (1pz.)
6. BUCHAS DE FIXAÇÃO + PARAFUSOS (15pz.)
7. MANDO A DISTANCIA DE RAYOS INFRARROJOS (1pz.)
8. PILHAS PARA O CONTROLE REMOTO (2pz.)

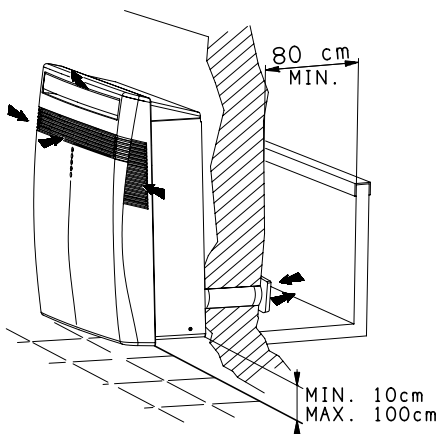


P INSTALAÇÃO

A instalação deve ser feita por pessoal especializado, respeitando a ordem de sequência de operações indicada.

SELECÇÃO DA POSIÇÃO DA UNIDADE

- Em caso de instalação de um radiador de substituição numa instalação já existente, siga as instruções incluídas no módulo adicional.
- A parede deve ser um muro exterior.
- Fixe a unidade a uma altura mínima de 10 cm e máxima de 100cm.
- Certifique-se de que o muro seleccionado tem robustez suficiente para aguentar o peso da unidade.
- Deixe espaço à volta da unidade para poder realizar os trabalhos de manutenção.
- Certifique-se de que não há obstáculos para a circulação de ar nas imediações da unidade.
- Evite instalar a unidade com o fluxo de ar orientado directamente para pessoas, electrodomésticos ou fontes de calor.



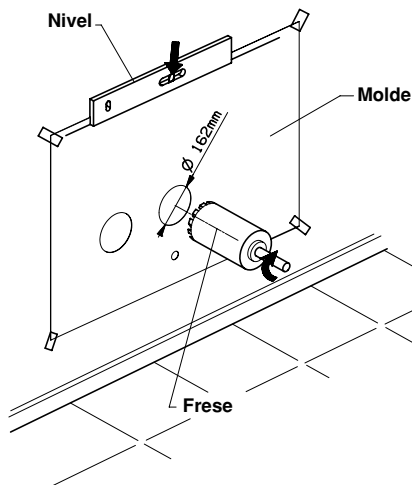
PRECAUÇÃO

Depois de ter escolhido a posição de instalação de acordo com os critérios supracitados, assegure-se de que nos pontos onde os furos serão realizados não passem canos de água nem cabos eléctricos, porque podem danificar-se.

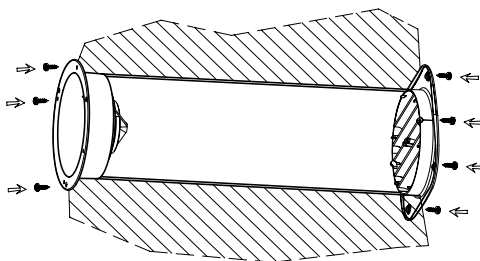
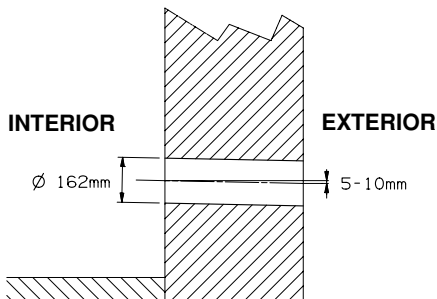
Verifique se há obstáculos à livre circulação de ar exterior através dos dutos na parede. A distância mínima a qualquer parede ou obstáculo deve ser de 80 cm.

MONTAGEM DA UNIDADE

- Aplique o molde de perfuração na parede e fixe-o nivelado.
- Faça os dois furos de $\varnothing 162\text{mm}$ e, se necessário, o furo de $\varnothing 35\text{mm}$ para a unidade com bomba de calor, para drenagem da água de condensação para o exterior (prepare previamente uma rampa de escoamento para o exterior).



- Introduza o tubo de plástico que acompanha o equipamento nos dois furos; corte o tubo à medida: é necessário medir a espessura do muro e subtrair 70 mm a esse valor.
- Fixe as duas grelhas anti-intrusão e ao exterior as duas grelhas com as alhetas viradas para baixo, utilizando buchas e parafusos próprios para muro.
- No caso de não ser possível fixar as grelhas exteriores directamente no muro, prenda-as às grelhas interiores com os puxadores de mola que acompanham o aparelho, procedendo do modo seguinte:
 - a) Dobre-as sobre si mesmas, fixe o gancho da mola, enfie-as no tubo e abra-as para fora.
 - b) Seleccione o ponto melhor de prender o tirante de modo que a mola esticada fique com um comprimento de 15-20 mm, e prenda-o à grelha interior.
 - c) Elimine a parte de tirante em excesso, cortando-o perto dos pontos em que estiver preso.

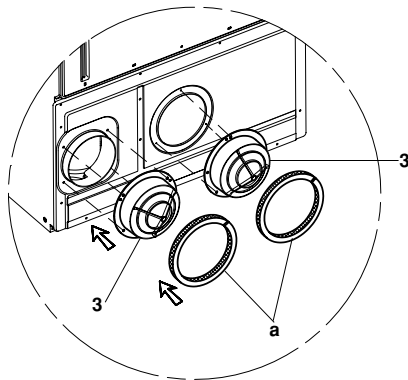
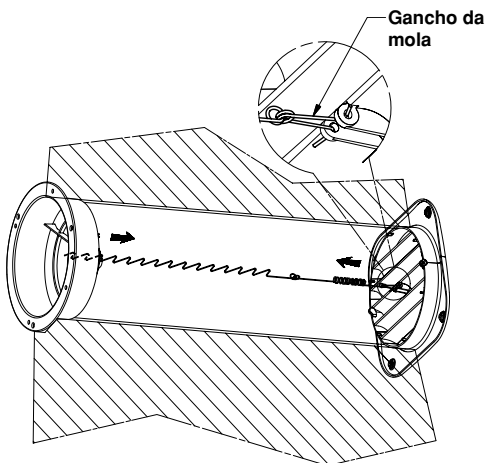
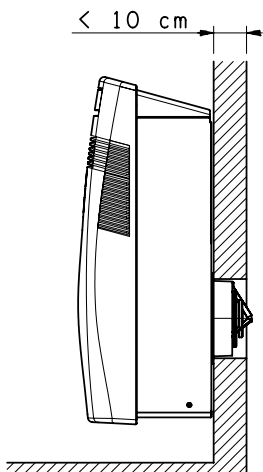


- Em caso de paredes muito finas (menos de 10cm) é necessário montar as grelhas anti-intrusão interiores na traseira da unidade, tirando os vedantes, (a), das costas e aplicando-os a toda a volta das grelhas. O tubo e as grades exteriores não serão utilizados.

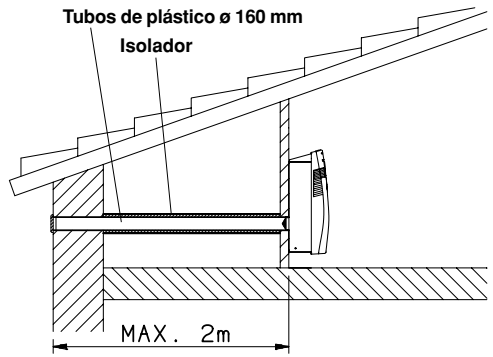


PRECAUÇÃO

O fabricante declina toda e qualquer responsabilidade no caso desta determinação de segurança não ser respeitada.



OBS.: Os dutos de plástico que acompanham o aparelho são indicados para paredes até 50 cm de espessura; em certos casos (por exemplo aquando da instalação num sótão) pode ser necessário utilizar tubos mais compridos. O comprimento máximo permitido é 2 m. Dirija-se a uma loja de material de construção e compre tubo de plástico com o mesmo diâmetro ($\varnothing 160$ mm) do devido comprimento. Isole-o com lã de rocha de cerca de 3-4 cm de espessura.



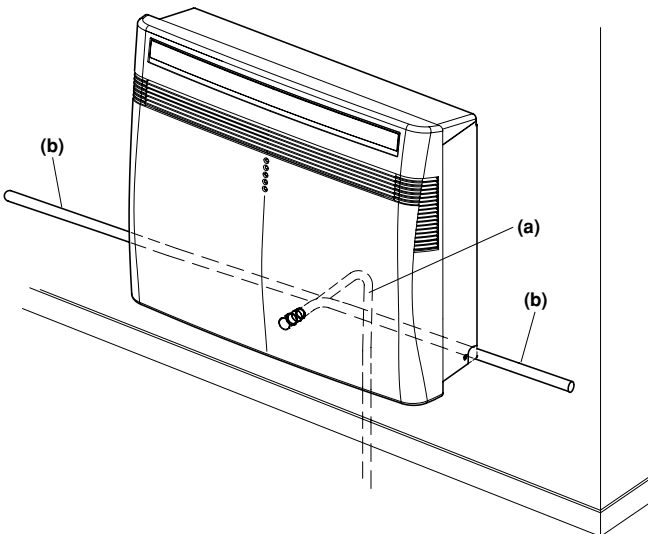
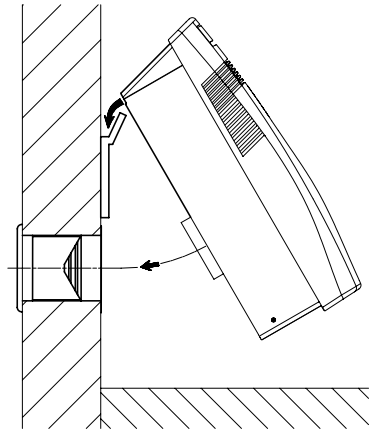
- Fixe o painel de suspensão na parede, na posição indicada pelo molde de perfuração. Utilize o tipo e quantidade de buchas (não fornecidas) necessários de acordo com a consistência da parede; o painel deve ficar bem aderente à parede.

- Pendure a unidade no painel com a boca da ventoinha traseira inserida na grelha

- Em caso de instalação de um modelo com bomba de calor, é necessário preparar uma linha de drenagem para a condensação, fazendo um furo para drenagem para o exterior de $\varnothing 35$ mm como indicado no molde de perfuração, (a). Se não for possível, mantenha o tubo no interior (b) e faça convergir a água de drenagem para uma descarga apropriada. Prepare sempre de antemão uma inclinação de, pelo menos, 1 cm por metro.

- Ligue a unidade à rede eléctrica usando o cabo de alimentação com ficha.

- Verifique se funciona devidamente.



ANTES DE USAR O APARELHO

- Verifique se a tomada onde o aparelho de ar condicionado vai ser ligado é de : 220 - 240 V - 50 Hz.
- Certifique-se que a instalação eléctrica é apropriada para fornecer a corrente necessária ao seu aparelho em conjunto com os outros aparelhos usados em sua casa (aparelhos de linha branca, candeeiros). Veja a potência eléctrica máxima indicada na placa que está colocada no seu aparelho.
- A instalação de uma ficha dupla, protegida por fusíveis de 20A é recomendada.
- O aparelho tem que ser ligado de acordo com as normas eléctricas do local.
- Certifique-se de que, o circuito fechado, fusíveis, etc. têm suficiente capacidade para aguentar um arranque de 18A (geralmente menos de um segundo).
- Não instale o ar condicionado onde possa ficar molhado ainda que só por salpicos de água (ex:lavandarias).
- Antes de ligar o seu ar condicionado certifique-se de que a tomada onde o vai ligar tem ligação à terra de acordo com as normas do local.
- Nunca utilize a ficha para ligar e desligar o climatizador: faça-o usando sempre o botão ON / OFF da unidade de controle remoto ou o selector de operação existente na unidade.
- **AVISO!**
Não cole nem coloque nada na saída de ar do seu aparelho. A ventoinha roda a grande velocidade e pode ser muito perigoso.
- **AVISO!**
O ar condicionado incorpora um sistema relógio que só permite o recomeço do seu funcionamento após três minutos depois da última paragem.
- Certifique-se de que não há qualquer obstáculo á volta do aparelho que afecte a circulação de ar. Não bloqueie a saída do ar com cortinas ou outros objectos. Nunca coloque nada em cima do aparelho.
- A primeira vez que ligar o aparelho, êle atinge o máximo de rendimento depois, pelo menos, de uma hora de operação.
- O fabricante não assume qualquer responsabilidade se as instruções de segurança não forem cumpridas.



ATENÇÃO

Antes de qualquer operação de deslocação ou limpeza, assegure-se de que a ficha está desligada da tomada de corrente e, em caso de eventual remoção do aparelho, despeje a água de condensação eventualmente presente na base de apoio do aparelho.

UTILIZAÇÃO DA UNIDADE DE CONTROLE REMOTO

N.B.

COLOCAÇÃO DAS PILHAS

- Remover a tampa na parte traseira do controle remoto.
- Coloque duas pilhas AAA alcalinas de 1,5 V - DC cada.
- As pilhas duram cerca 6 meses dependendo do uso da unidade de controle remoto.

Retire as pilhas se a unidade não for utilizada por mais de um mês.

Pressionar simultaneamente os botões +, -, SET e CLEAR após ter substituído as baterias.

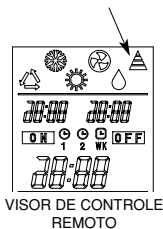
Esta operação serve para azerar corretamente todos os programas. A unidade de controle remoto terá que ser reprogramada. Substituir as pilhas quando o visor na unidade de controle remoto deixar de acender ou quando não for possível utilizar o controle remoto para mudar os ajustes no aparelho de ar condicionado.

- As pilhas do comando contém elementos poluentes. quando ficarem descarregadas devem destruir-se em locais próprios e segundo as normas locais em vigor.

SELECTOR DO SENSOR DE TEMPERATURA

- Em condições normais, a temperatura ambiente é registrada e controlada através do sensor que é colocado no aparelho de ar condicionado.
- Pressionar o botão I FEEL para ativar o sensor de temperatura posicionado no controle remoto. Esta função permite de criar uma temperatura ambiente ótima pois o controle remoto transmite a temperatura da posição onde nos encontramos. Então, usando esta função, o controle remoto deve sempre ser direcionado para o condicionador.

A unidade de controle remoto manda o sinal indicando a temperatura ao aparelho de ar condicionado a cada 2 minutos. Se o sinal proveniente do sensor parar por mais de 5 minutos (por exemplo devido a qualquer inconveniência), o aparelho passa automaticamente a receber os dados de temperatura provenientes do sensor, incorporado na unidade, que controla a temperatura ambiente. Nesses casos, a temperatura próxima à cabeça da unidade de controle remoto pode ser diferente daquela que esta próxima ao aparelho de ar condicionado.



VISOR DE CONTROLE REMOTO

OPERAÇÃO COM A UNIDADE DE CONTROLE REMOTO



PRECAUÇÃO

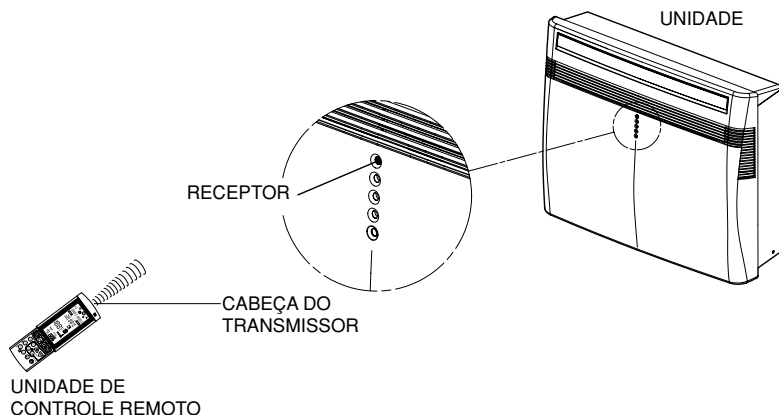
O interruptor deve estar na ON à rede no painel da corrente elétrica e lâmpada de espera deve estar acesa.

Aponte sempre a cabeça da unidade transmissora diretamente para o receptor no aparelho de ar condicionado.

COMO LIGAR O APARELHO DE AR CONDICIONADO

Pressione o botão ON/OFF para ligar o aparelho de ar condicionado.

A lâmpada de operação acende-se e indica o funcionamento da unidade



UNIDADE DE CONTROLE REMOTO

VISOR

Mostra informações relativas às condições de operação quando a unidade de controle remoto está ligada.

Modos de operação

- Automático
- Frio
- Quente
- Seco
- Ventilação

Confirma transmissão de dados ou controle remoto bloqueado



Indica os timer

Timer "ativado" (ON)

Temperatura programada ou temperatura ambiente

Aparece quando a temperatura indicada é ambiente

Indica que o condicionador funciona na modalidade I FEEL

Velocidade do ventilador
Operação automática

- Alta
- Média
- Baixa

Timer "ativado" (ON)

Relógio (horas/minutos)

Programa noturno

Oscilação do defletor ativada

TRANSMISSOR

Quando é acionado o botão da unidade de controle remoto, o símbolo aparece no visor e os dados para o reajuste do aparelho de ar condicionado são transmitidos ao receptor.

SENSOR DE TEMPERATURA

Este sensor é posicionado na parte interior da unidade de controle remoto e serve para a leitura da temperatura ambiente.

BOTÕES DE AJUSTE DA TEMPERATURA

— (mais frio)

Pressione este botão para diminuir a temperatura selecionada.

+ (mais quente)

Pressione este botão para aumentar a temperatura selecionada.

BOTÃO "FAN SPEED" (Velocidade do ventilador)

AUTO A velocidade do ventilador é selecionada automaticamente pelo micro processador.

- Alta velocidade.
- Velocidade média.
- Velocidade baixa.

BOTÃO SET

Pressionar este botão para selecionar as funções:

- Programação da hora
 - Programação do timer ON/OFF
- Para detalhes ver as seções "COMO REGULAR O RELÓGIO" e "REGULAGEM DO TIMER".

BOTÕES DE REGULAGEM RELÓGIO E PROGRAMAÇÃO HORÁRIO TIMER

Pressionado os botão + o - é ativada a programação da hora e do timer. Para detalhes ver as seções "COMO REGULAR O RELÓGIO" e "REGULAGEM DO TIMER".

Botão TIMER (programação timer)

Pressionado o botão TIMER no display é ativado o procedimento para a programação ON/OFF do timer.

BLOQUEIO DO CONTROLE REMOTO

Pressionado este botão o controle remoto se bloqueia na última programação. Quando está ativa o controle remoto não é capaz de controlar o condicionador. Para desbloquear o controle remoto pressionar de novo .

SELETORES DE VELOCIDADE DEFLETOR

Pressionar estes botões para selecionar a função defletor desejada

- : o defletor oscila automaticamente
- : toda vez que esta tecla for pressionada o defletor se desloca de uma posição

BOTÃO DE OPERAÇÃO (ON/OFF)

Este botão serve para ligar e desligar o aparelho.

BOTÃO SELECTOR DO MODO DE OPERAÇÃO

Pressionar este botão para mudar o modo de funcionamento do aparelho de ar condicionado.

(Operação automática) ★

Quando esta função é selecionada, o microprocessador escolhe automaticamente entre aquecimento e arrefecimento segundo a diferença de temperatura entre o ambiente e a temperatura desejada.

(Aquecimento) ★

Nesta função, o aparelho aquece o ambiente.

(Desumificação)

Nesta função, o aparelho reduz a humidade existente no ambiente.

(Arrefecimento)

Nesta função, o aparelho esfria o ar e abaixa a temperatura do ambiente.

(Ventilação)

Nesta função, o aparelho funciona somente como ventilador.

★ **COOL / DRY / HEAT / FAN**

BOTÃO "SLEEP" (programa noturno)

Veja "Programa Noturno" para maiores detalhes.

Quando se pressiona este botão nas funções de Arrefecimento e Desumificação, o sinal aparece no visor e a unidade de controle remoto ajusta automaticamente a temperatura selecionada para poupar energia.

SELECTOR SENSOR DE TEMPERATURA

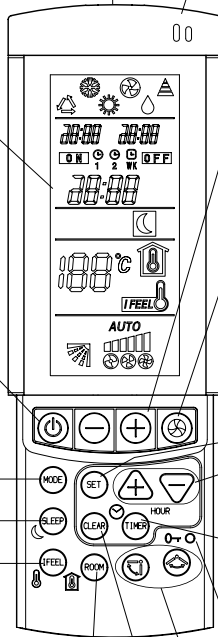
Pressionar o botão I FEEL para ativar o sensor de temperatura posicionado no controle remoto. Esta função permite de criar uma temperatura ambiente ótima.

TEMPERATURA AMBIENTE

Pressionar o botão ROOM para visualizar a temperatura ambiente próxima ao controle remoto.

COMO ZERAR O TIMER

Pressionar o botão CLEAR se desejar cancelar todas as programações do timer.



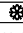
COMO AJUSTAR O RELÓGIO

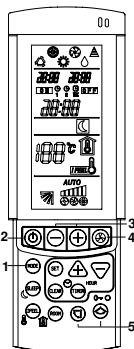
1. Pressione "SET". O indicador da hora somente pisca.
2. Pressione os botões + ou - até ver a hora desejada.
3. Pressione o botão SET e o indicador retornará automaticamente ao normal.

ARREFECIMENTO

N.B.

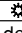
Verifique se a unidade está ligada à rede elétrica e se a lâmpada STANDBY está acesa.

1. Pressione o botão "MODE" e selecione a função "ARREFECIMENTO" .
2. Pressione o botão de operação ON/OFF para ligar o aparelho.
3. Pressione os botões de ajuste da temperatura "TEMP" (3) para mudar o ajuste da temperatura até a temperatura desejada. Gama de temperatura ajustável: 30 ° Max - 16 ° Min.



4. Pressione o botão "FAN SPEED" para o ajuste da velocidade do ventilador.
5. Aperte o botão FLAP e regule a direção do fluxo do ar no modo desejado. (v. regulação do fluxo de ar)

AQUECIMENTO (bomba de calor)

1. Pressione o botão "MODE" e selecione a função "AQUECIMENTO" .
2. Pressione o botão de operação ON/OFF para ligar o aparelho.
3. Pressione os botões "TEMP" (3) para selecionar a temperatura desejada. Gama de temperatura ajustável: 30 ° Max - 16 ° Min.

4. Pressione o botão "FAN SPEED" para o ajuste da velocidade do ventilador.
5. Aperte o botão FLAP e regule a direção do fluxo do ar no modo desejado. (v. regulação do fluxo de ar)

N.B.

Após a ativação da função "AQUECIMENTO" o ventilador pára. Isto porque estará ativada uma proteção de prevenção de corrente de ar frio que permitirá o funcionamento do ventilador somente depois que o dispositivo de troca térmica se esquentar.

DESCONGELAÇÃO DO TROCADOR DE CALOR EXTERNO

Quando a temperatura externa for muito baixa, pode formar-se gelo ou geada na serpentina do trocador de calor, reduzindo o rendimento do aquecimento.


Quando isto acontece, um sistema de descongelação controlado por microcomputador entra em função.

Ao mesmo tempo, o ventilador na unidade para e a lâmpada de operação pisca até que a descongelação seja completa. A operação de aquecimento recomeça passados alguns minutos. Este intervalo varia ligeiramente dependendo da temperatura exterior e do modo como a formação do gelo ocorreu.

FUNCIONAMENTO E RENDIMENTO DE UM SISTEMA COM BOMBA DE CALOR

O modelo de aparelho de ar condicionado com bomba de calor enquadra o ambiente tirando calor do ar externo. A eficiência desse sistema diminui ao passo que a temperatura do ar externo diminua, especialmente se atingir temperaturas abaixo de zero. Se o aquecedor não conseguir manter uma temperatura suficientemente estável, utilize, em simultâneo, outro aparelho de aquecimento.


OPERAÇÃO AUTOMÁTICA

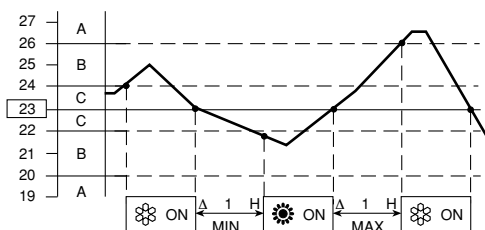
1. Pressione o botão "MODE" e selecione a função "AUTOMÁTICO" .
2. Pressione o botão ON/OFF para ligar o aparelho.
3. Pressione os botões "TEMP" (3) para selecionar a temperatura desejada. Gama de temperatura ajustável: 30 ° Max. - 16 ° Min.

O VISOR INDICARÁ O VALOR DA TEMPERATURA DESEJADA.

O aparelho de ar condicionado passa automaticamente de função de aquecimento à de arrefecimento (ou vice-versa) mantendo, assim, constante a temperatura selecionada.

4. Pressione o botão "FAN SPEED" para o ajuste da velocidade do ventilador.

Exemplo esquema funcionamento em modalidade  (Auto) com temperatura ambiente fixada em **23 graus**.




N.B.

O climatizador muda o modo de funcionamento (de frio para quente e vice-versa) quando se verifica uma das seguintes condições:

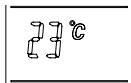
- **ZONA A:** muda se a temperatura varia de pelo menos 3°C em relação à fixada no telecomando.
- **ZONA B:** muda se a temperatura varia de pelo menos 1°C em relação à fixada no telecomando após 1 hora da paragem do compressor.
- **ZONA C:** nunca muda se a temperatura não varia de mais de 1°C em relação à fixada no telecomando.

DESUMIFICAÇÃO

1. Pressione o botão "MODE" e selecione a função "desumificação" .
2. Pressione o botão "ON/OFF" para ligar o aparelho.
3. Pressione os botões "TEMP" (3) para o ajuste da temperatura ambiente. (Gama de temperatura ajustável: 30° Max. - 16° Min.)

Durante esta operação o aparelho executa a ciclo de ativação/desativação automaticamente.

N.B.: A temperatura ambiente poderia diminuir.




O VISOR INDICARÁ O VALOR DA TEMPERATURA DESEJADA.

N.B.

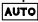
- Use esta função quando quiser reduzir a humidade do ambiente.
- Durante esta operação, a velocidade do ventilador é automaticamente reduzida, e o ventilador muda a baixa velocidade ou pára para impedir congelamento.

VENTILAÇÃO

No caso quiser somente arejar o ambiente sem modificar a temperatura, opere da seguinte maneira:

1. Pressione o botão "MODE" e selecione a função "VENTILAÇÃO" .
2. Pressione o botão "ON/OFF" para ligar o aparelho.

AJUSTE DA VELOCIDADE DO VENTILADOR AUTOMÁTICO

Coloque simplesmente o selector de "FANSPEED" na posição . Um microcomputador, no aparelho de ar condicionado, controla a velocidade de ventilação quando o modo "AUTOMÁTICO" é selecionado. Quando o aparelho de ar condicionado começa a funcionar, o microcomputador detecta a diferença entre a temperatura ambiente e a temperatura pré-ajustada e automaticamente muda a velocidade do ventilador para o nível apropriado.

N.B.

Na função "VENTILAÇÃO" a velocidade do ventilador é selecionada automaticamente como na função "COOL"

QUANDO A DIFERENÇA ENTRE A TEMPERATURA AMBIENTE E A TEMPERATURA PRÉ-AJUSTADA É	VELOCIDADE DO VENTILADOR	
Arrefecimento e Desumificação	2°C ou mais	Alta
	Entre 2 e 1°C	Média
	Abaixo de 1°C	Baixa
Aquecimento	2°C ou mais	Alta
	Menos de 2°C	Média

N.B.

Os valores indicados na tabela se referem ao funcionamento do aparelho quando é ativado o sensor na unidade de controle remoto (veja selector do sensor de temperatura). Tais valores variam ligeiramente no caso for ativado o sensor na unidade.

MANUAL

Se desejar ajustar a velocidade do ventilador manualmente durante a operação, coloque a selector "FAN SPEED" na posição desejada.




Alta velocidade

Média velocidade

Baixa velocidade

PROGRAMA NOTURNO

- Esta função serve para poupar energia.

1. Pressione o botão "MODE" e selecione a função "ARREFECIMENTO", "AQUECIMENTO" ou "DESUMIFICAÇÃO".
2. Pressione o botão "SLEEP".
3. O símbolo  aparecerá no visor. Para desativar o programa, pressione novamente o botão "SLEEP".

O que é o Programa Noturno?

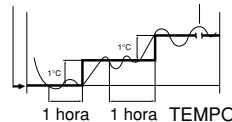
Inicialmente o aparelho aquece ou resfria o ambiente até a temperatura desejada (SET TEMP) e depois se desativa. Após cerca 1 hora, a temperatura é automaticamente modificada no seguinte modo:

MODOS DE FUNCIONAMENTO	VARIAÇÃO DA TEMPERATURA PRÉ-SELECIONADA
Aquecimento	Diminuição de 1°C
Arrefecimento ou desumificação	Aumento de 1°C

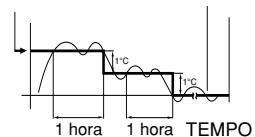
O aparelho funciona até atingir a temperatura desejada e depois pára. Após 1 hora a temperatura é automaticamente aumentada de 1°C (se estiver resfriando o ambiente) ou diminui de 1°C (se estiver aquecendo). Isto lhe permite de poupar energia sem sacrifício de conforto.

ARREFECIMENTO E DESUMIFICAÇÃO

Temperatura pré-selecionada Temperatura ambiente

**AQUECIMENTO**

Temperatura pré-selecionada Temperatura ambiente



AJUSTE DO TIMER

Existem dois programadores de tempo que podem ser seleccionados no controle remoto. Dois são diários (designados por T1 ou T2) e outros são programadores de tempo, opcionais, de fim de semana, (designados como WKT1, WKT2). Qualquer programador de tempo pode ser seleccionado, carregando no botão TIMER.

Os programadores de tempo diários T1 e T2 podem ser seleccionados para ON e OFF separadamente e, para dois períodos de tempo distintos. Uma vez o programador de tempo ajustado, o mesmo recomeça a operação.

Os programadores de fim de semana WKT1 e WKT2 podem ser ajustados para ON e OFF separadamente e, para dois períodos de tempo distintos, durante dois dias, somente. Funcionando assim no dia do ajuste e no dia a seguir, somente.

As 24:00 do segundo dia, o programador de tempo WK não funcionará mais e o programador diário recomeça a trabalhar.

WKT1 - funciona no dia do ajuste

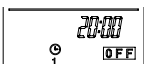
WKT2 - funciona um dia depois do dia do ajuste

NOTA:

1. Durante o fim de semana, com os programadores de fim de semana em funcionamento, os programadores diários estarão inactivos.
2. Os programadores WK têm que ser reactivados antes de cada fim de semana.

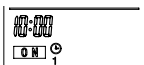
A) COMO PROGRAMAR A HORA DE DESATIVAÇÃO (OFF).

1. Pressione o botão TIMER para seleccionar o programador de tempo desejado.
2. Pressione os botões SET e CLEAR até a indicação "OFF" pisca.
3. Pressione os botões + ou - (HORA) até ver a hora desejada.
4. Pressione o botão "SET" para activar o timer.



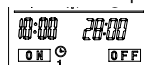
B) COMO PROGRAMAR A HORA DE ATIVAÇÃO (ON).

1. Pressione o botão TIMER para seleccionar o programador de tempo desejado.
2. Pressione o botão SET até a indicação "ON" pisca.
3. Pressione os botões + ou - (HORA) até ver a hora desejada.
4. Pressione os botões SET e CLEAR para activar o timer.



C) COMO AJUSTAR O PROGRAMA DIÁRIO ACESO/APAGADO (OU VICE-VERSA)

1. Pressione o botão TIMER para seleccionar o programador de tempo desejado.
1. Pressione o botão SET até a indicação "ON" pisca.
2. Pressione os botões + ou - (HORA) até ver a hora desejada.
3. Pressione o botão SET e a indicação "OFF" pisca.
4. Pressione os botões + ou - (HORA) até ver a hora desejada.
5. Pressione o botão SET para activar o timer.



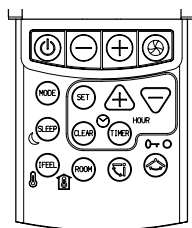
D) COMO ZERAR O TIMER

1. Pressione o botão TIMER para seleccionar o programador de tempo.
2. Pressionar o botão CLEAR se desejar cancelar todas as programações do timer



N.B.

Se o procedimento de programação do timer não é completado em 15 segundos pressionando o botão SET, será anulada e permanecerá na memória a última programação.



AJUSTE DA DIREÇÃO DO FLUXO DE AR

HORIZONTAL (MANUAL)

O fluxo de ar horizontal pode ser ajustado movendo as palhetas verticais para a direita ou para a esquerda como indicado nos seguintes diagramas.

VERTICAL (Com uso da unidade de controle remoto)

Com o controle remoto pode-se regular o defletor de duas maneiras:

1. Pressionar o botão para fazer oscilar o defletor. Pressionando ainda o defletor pára imediatamente.
2. Pressionar o botão para movimentar o defletor passo a passo.



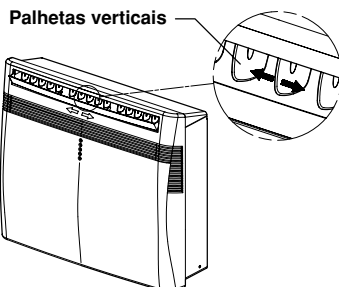
PRECAUÇÃO

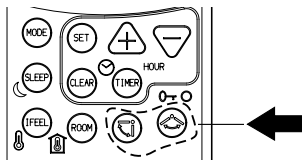
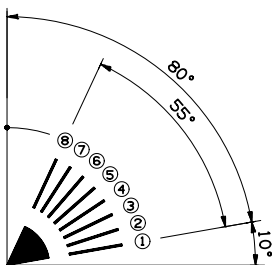
Durante a função de arrefecimento ou desumificação, especilmamente, as palhetas devem estar na posição vertical. Se estiverem completamente para a esquerda ou para a direita, pode-se formar condensação na zona da saída do ar e pingar ao chão.



PRECAUÇÃO

Não direcione as palhetas manualmente durante o funcionamento.





- Função de varrimento**
A placa começa a movimentar-se para cima e para baixo lançando ar para toda a área de varrimento.

N.B.

- A placa fecha-se automaticamente quando o aparelho está desligado.
- Durante o funcionamento do aquecimento, o deflector posiciona-se de acordo com os parâmetros definidos com a unidade de controle remoto.



PRECAUÇÃO

- Utilize o botão **FLAP** na unidade de controle remoto para ajustar a posição da placa. Se movimentar a placa com as mãos, a posição da placa na unidade de controle remoto e a posição actual da placa pode não ser a mesma. Se isto acontecer, desligue o aparelho, espere que a placa feche e em seguida ligue o aparelho outra vez; a posição da placa será normal outra vez.

P

COMO ESVAZIAR A CONDENSAÇÃO ACUMULADA

A humidade extraída da unidade é recolhida e eliminada autonomamente embora, em determinadas situações, possa haver de qualquer modo alguma acumulação. Sempre que houver previsão de um período extenso de não funcionamento do aparelho, é necessário esvaziar a eventual condensação acumulada através do tubo de serviço próprio, por baixo da base de apoio.

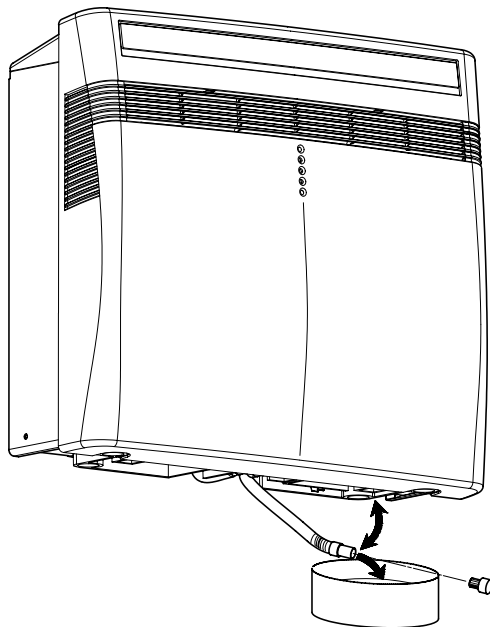


AVISO

- Desligue sempre o ar condicionado no interruptor antes de desligar na ficha.
- Desconecte sempre o aparelho antes de descarregar a água que ele tem na unidade.

IMPORTANTE

Terminado o trabalho fechar o tubinho com a tampa apropriada.



OPERAÇÃO SEM A UNIDADE DE CONTROLE REMOTO

Em caso de perda, dano do controle remoto, siga os seguintes conselhos:

1. APARELHO DE AR CONDICIONADO DESLIGADO

Se quiser ligar o aparelho, pressione o selector de operação através de uma caneta para selecionar a função desejada (COOL ou HEAT)

N.B.

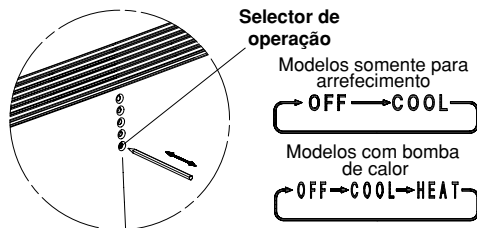
O aparelho de ar condicionado começa a funcionar com velocidade automática do ventilador e o deflector oscilador. O ajuste da temperatura é 22°C para a função “arrefecimento” e 28°C para a função “aquecimento”.

2. APARELHO DE AR CONDICIONADO LIGADO

Se quiser desligar o aparelho, pressione o selector de operação através de uma caneta até a lâmpada de operação se apaga.

N.B.

Se houver uma perda de corrente elétrica durante o funcionamento do aparelho, este se desliga. Uma vez restabelecida a condição original, o aparelho se ativa automaticamente após 3 minutos.



SUGESTÕES PARA GARANTIR O MÁXIMO CONFORTO E O MÍNIMO CONSUMO

NÃO FAÇA

- Bloquear a entrada e saída de ar do aparelho. Se estiverem obstruídas, o aparelho não funcionará adequadamente e poderá estragar-se.
- Deixar luz solar direta na habitação. Use cortinas, venezianas, etc.

FAÇA

- Procure manter o filtro de ar sempre limpos.
- Para evitar a saída do ar condicionado, mantenha janelas, portas e outras aberturas fechadas.
- A temperatura ambiente para o modo de refrigeração e “Desumidificação” é de mais de 16 °C.

POSSÍVEIS CAUSAS E REPARAÇÃO DE AVARIAS



AVVERTIMENTO

- O uso de telefones celulares nas proximidades do aparelho de ar condicionado deve ser evitado porque pode causar interferências e portanto um mal funcionamento do aparelho. Quando essa anomalia acontecer (a lâmpada de funcionamento (4) acende-se mas a unidade exterior não funciona), recomece o procedimento de operação após ter eliminado a corrente do aparelho por cerca 60 segundos através do interruptor principal.

- Se o seu aparelho não funciona corretamente, verifique primeiro os seguintes pontos antes de solicitar assistência. Se não conseguir solucionar o problema, contate o seu concessionário ou o serviço de assistência.

Defeito: O aparelho não funciona de maneira nenhuma.

Possível causa:

1. Falha de alimentação.
2. Disjuntor ativado.
3. Tensão da rede demasiado baixa.
4. O botão de operações está posicionado em “OFF”.
5. As pilhas do controle remoto estão gastas.
6. O selector do módulo adicional para aquecimento a água não está na posição certa

Possível solução:

1. Reponha a alimentação.
2. Contate o serviço de assistência.
3. Consulte um electricista.
4. Pressione o botão outra vez.
5. Substitua as pilhas.
6. Coloque o selector na posição correspondente ao símbolo “climatizador”.

Defeito: O aparelho não funciona e a lâmpada de espera (3) está a piscar.

Possível causa:

1. Sonda defeituosa.

Possível solução:

1. Contate o serviço de assistência.

Defeito: A lâmpada “TIMER” (2) está a piscar e o aparelho não funciona.

Possível causa:

1. Problema no sistema de ligação.

Possível solução:

1. Contate o serviço de assistência.

Defeito: O compressor começa a funcionar, mas pára pouco depois.

Possível causa:

1. Obstrução em frente das grelhas de entrada de ar.

Possível solução:

1. Retire a obstrução.

Defeito: Rendimento de arrefecimento (ou aquecimento) deficiente.

Possível causa:

1. Filtros de ar sujo ou obstruído.
2. Fonte de calor ou demasiadas pessoas na habitação.
3. Portas e janelas abertas.
4. Obstáculos perto da entrada ou saída de ar.
5. Temperatura ajustada com a unidade de controle remoto demasiado alta.
6. Temperatura exterior muito baixa (modelo com bomba de calor).
7. O sistema de descongelação não funciona (modelo com bomba de calor).

Possível solução:

1. Limpe o filtros de ar.
2. Elimine a fonte de calor.
3. Feche as janelas.
4. Retire os obstáculos para assegurar uma boa circulação de ar.
5. Ajustar novamente a temperatura com a unidade de controle remoto.
6. Tente utilizar outra unidade de aquecimento.
7. Consulte o seu concessionário.

Defeito: A lâmpada de operação (4) pisca, a ventilador gira e o compressor está parado.

Possível causa:

1. Intervenção da microbóia de segurança, devido a excesso de acumulação de condensação.

Rimedio:

1. Esvazie a condensação (v. parágrafo “COMO ESVAZIAR A CONDENSACÃO ACUMULADA”).

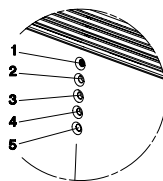
Defeito: Ouve-se estalido no aparelho de ar condicionado.

Possível causa:

1. Durante a operação as partes plásticas podem expandir ou encolher devido a uma mudança súbita de temperatura. Neste caso, pode-se ouvir um estalido.

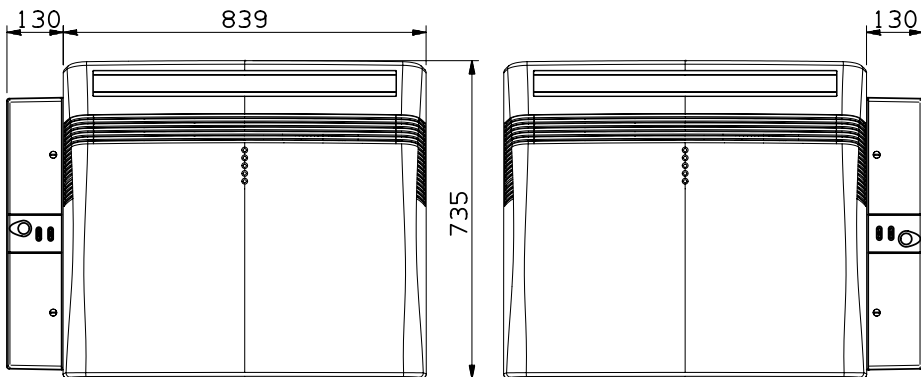
Possível solução:

1. Os chios leves percebidos irão desaparecer com a estabilização da temperatura.



KIT PARA AQUECIMENTO COM ÁGUA QUENTE (SOMENTE PARA MODELOS 245C-235H)

O aparelho vem preparado para substituição de um termostato num sistema de aquecimento já existente. É necessário comprar o módulo adicional próprio, que pode ser instalado de ambos os lados da máquina, de acordo com a posição das ligações para água.



P

LIMPEZA E CUIDADOS

AVISO! Por questões de segurança antes de limpar o seu aparelho desligue sempre o interruptor e retire a ficha da tomada.

1. Limpeza do filtro purificador de ar

O filtro purificador tem que ser verificado em funcionamento pelo menos uma vez de duas em duas semanas. O funcionamento com um filtro sujo retira eficiência ao seu aparelho e pode causar graves estragos. O filtro está situado atrás da grelha de aspiração frontal: abra a grelha, puxando os dois ganchos para baixo, agarre os filtros pelos buracos e puxe para cima. Use um aspirador para retirar a sujidade superficial. Se a sujidade acumulada no filtro ficar pegajosa, lave-o com água e sabão, depois enxague-o com água fria e depois de seco pode voltar a instalá-lo.

2. Limpeza das Grelhas e da Cobertura

Para limpar o ar condicionado passe-lhe com um pano levemente humedecido que seja limpo e macio. Se o seu aparelho tiver alguma mancha humedeça o pano em água e sabão. Nunca use detergentes ásperos, nem água muito quente. Não despeche água em cima do seu aparelho, isso poderia causar danos irreparáveis aos seus componentes internos assim como choques eléctricos perigosos.

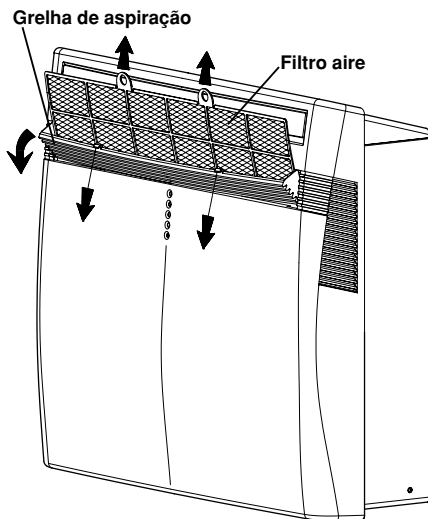
3. Após utilização

Quando souber, de antemão, que o climatizador não vai ser usado durante muito tempo, limpe o filtro e veja se há água de condensação acumulada na base. (v. parágrafo "COMO ESVAZIAR A CONDENSAÇÃO ACUMULADA"). Não apoie objectos pesados em cima da superfície superior.

4. Transporte

Preferencialmente mantenha o ar condicionado na posição vertical durante o transporte.

5. Para sua segurança, tenha o cuidado de verificar periodicamente o estado de conservação do cabo de alimentação; a ligação eléctrica da unidade é do tipo Y, com cabo preparado de maneira especial; se estiver danificado pelo uso, contacte o Centro de Assistência para o substituir.



NÃO!

ΠΕΡΙΕΧΟΜΕΝΑ

ΤΟ ΠΡΟΙΟΝ	3
ΠΙΝΑΚΑΣ ΣΗΜΑΤΟΔΟΤΗΣΗΣ	3
ΠΡΟΑΙΡΕΤΙΚΑ ΕΞΑΡΤΗΜΑΤΑ (ΚΑΤΟΠΙΝ ΠΑΡΑΓΓΕΛΙΑΣ)	4
ΕΓΚΑΤΑΣΤΑΣΗ	4
ΠΡΙΝ ΧΡΗΣΙΜΟΠΟΙΗΣΕΤΕ ΤΟ ΚΛΙΜΑΤΙΣΤΙΚΟ	7
ΧΡΗΣΗ ΤΟΥ ΤΗΛΕΧΕΙΡΙΣΤΗΡΙΟΥ	8
ΤΗΛΕΧΕΙΡΙΣΤΗΡΙΟ	9
ΡΥΘΜΙΣΗ ΩΡΟΛΟΓΙΟΥ	10
ΨΥΞΗ	10
ΘΕΡΜΑΝΣΗ	10
ΑΥΤΟΜΑΤΗ ΛΕΙΤΟΥΡΓΙΑ	10
ΑΦΥΓΡΑΝΣΗ	11
ΜΟΝΟ ΑΝΕΜΙΣΤΗΡΑΣ	11
ΥΘΜΙΣΗ ΤΑΧΥΤΗΤΑΣ ΑΝΕΜΙΣΤΗΡΑ	11
ΝΥΧΤΕΡΙΝΟ ΠΡΟΓΡΑΜΜΑ	11
ΡΥΘΜΙΣΗ ΤΟΥ ΧΡΟΝΟΔΙΑΚΟΠΤΗ	12
ΡΥΘΜΙΣΗ ΤΗΣ ΡΟΗΣ ΤΟΥ ΑΕΡΑ	12
ΠΩΣ ΝΑ ΑΔΕΙΑΣΕΤΕ ΤΟ ΣΥΣΣΩΡΕΥΜΕΝΟ ΣΥΜΠΥΚΝΩΜΑ	13
ΛΕΙΤΟΥΡΓΙΑ ΧΩΡΙΣ ΤΗΛΕΧΕΙΡΙΣΤΗΡΙΟ	14
ΣΥΜΒΟΥΛΕΣ ΓΙΑ ΜΕΓΙΣΤΗ ΑΝΕΣΗ ΚΑΙ ΕΛΑΧΙΣΤΗ ΚΑΤΑΝΑΛΩΣΗ	14
ΕΞΑΚΡΙΒΩΣΗ ΚΑΙ ΛΥΣΗ ΠΡΟΒΛΗΜΑΤΩΝ ΛΕΙΤΟΥΡΓΙΑΣ	14
ΚΙΤ ΓΙΑ ΤΗ ΘΕΡΜΑΝΣΗ ΜΕ ΖΕΣΤΟ ΝΕΡΟ	15
ΣΥΝΤΗΡΗΣΗ ΚΑΙ ΦΡΟΝΤΙΔΑ	15

GR

— ΠΛΗΡΟΦΟΡΙΕΣ ΣΧΕΤΙΚΕΣ ΜΕ ΤΟ ΠΡΟΙΟΝ —

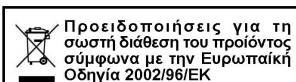
Σε περίπτωση δυσκολίας ή όταν υπάρχουν αμφιβολίες σχετικά με το κλιματιστικό, είναι αναγκαίες οι παρακάτω πληροφορίες. Οι αριθμοί σειράς και μοντέλου βρίσκονται στην ετικέτα με το όνομα, στο κάτω μέρος της συσκευής.

Αρ. μοντέλου _____
 Αρ. σειράς _____
 Ημερομηνία αγοράς _____
 Διεύθυνση του πωλητή _____
 Αρ. τηλεφώνου _____

ΣΗΜΕΙΩΣΗ

Το κλιματιστικό αυτό είναι εξοπλισμένο με τις λειτουργίες ψύξης – εξαερισμός και ρύθμισης **COOL /DRY/FAN**, ψύξης, θέρμανσης, ρύθμισης και εξαερισμός της υγρασίας **COOL /DRY/HEAT/FAN**. Περισσότερες λεπτομέρειες για τις λειτουργίες αυτές ακολουθούν πιο κάτω. Αναφερθείτε στις περιγραφές αυτές όταν χρησιμοποιείτε το κλιματιστικό.

ΔΗΛΩΣΗ ΣΥΜΜΟΡΦΩΣΗΣ
Το προϊόν αυτό φέρει το σήμα CE διότι ανταποκρίνεται στις απαιτήσεις των ακόλουθων οδηγιών: – Χαμηλή τάση αριθ. 73/23 ΕΟΚ και 93/68 ΕΟΚ. – Ηλεκτρομαγνητική συμβατικότητα αριθ. 89/336 ΕΟΚ, 92/31 ΕΟΚ και 93/36 ΕΟΚ. Η παρούσα δήλωση είναι άκυρη σε περίπτωση χρήσης διαφορετικής από αυτήν που ενδείκνυται από τον Κατασκευαστή και/ή μη τήρησης, ακόμη και εν μέρει, των οδηγιών εγκατάστασης και/ή χρήσης.



Στο τέλος της ωφέλιμης ζωής του, το προϊόν δεν πρέπει να διατίθεται με τα αστικά απορρίμματα.

Μπορεί να διατεθεί σε ειδικά κέντρα διαφοροποιημένης συλλογής που ορίζουν οι δημοτικές αρχές, ή στις αντιπροσωπείες που παρέχουν αυτήν υπηρεσία.

Η διαφοροποιημένη διάθεση μιας ηλεκτρικής συσκευής επιτρέπει την αποφυγή πιθανών αρνητικών συνεπειών για το περιβάλλον και την υγεία από την ακατάλληλη διάθεση καθώς και την ανακύκλωση υλικών από τα οποία αποτελείται ώστε να επιτυγχάνεται σημαντική εξοικονόμηση ενέργειας και πόρων.

Για την επισήμανση της υποχρεωτικής χωριστής διάθεσης, το προϊόν φέρει το σήμα του διαγραμμένου τροχοφόρου κάδου απορριμμάτων.

— ΣΥΜΒΟΛΑ ΠΡΟΕΙΔΟΠΟΙΗΣΗΣ

Τα ακόλουθα σύμβολα σ' αυτό το εγχειρίδιο χρησιμοποιούνται για να ενημερώσουν τον αγοραστή και το προσωπικό υπηρεσίας σχετικά με τους προσωπικούς κινδύνους ή με τις ζημιές του προϊόντος.



ΠΡΟΕΙΔΟΠΟΙΗΣΗ

Το σύμβολο αυτό αναφέρεται σε κινδύνους ή σε επεμβάσεις που μπορούν να προκαλέσουν τραυματισμούς και θάνατο.



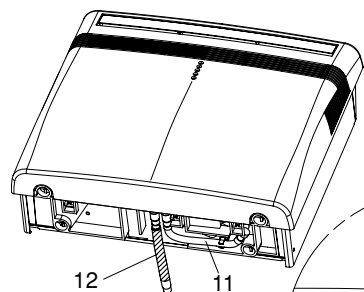
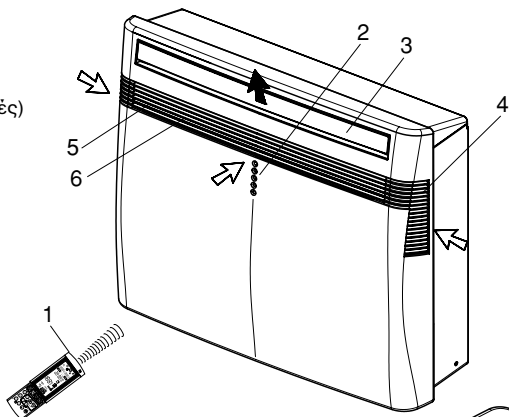
ΠΡΟΦΥΛΑΞΗ

Το σύμβολο αυτό αναφέρεται σε κινδύνους ή σε επεμβάσεις που μπορούν να προκαλέσουν ζημιές στο προϊόν.

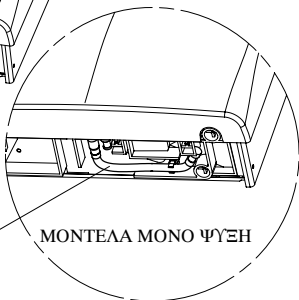
ΟΡΙΑ ΛΕΙΤΟΥΡΓΙΑΣ		
ΑΝΩΤΕΡΕΣ ΡΥΘΜΙΣΕΙΣ		
ΨΥΞΗ	ΕΞΩΤΕΡΙΚΗ ΘΕΡΜΟΚΡΑΣΙΑ	43°C ΣΦ.Θ.Ξ
	ΕΣΩΤΕΡΙΚΗ ΘΕΡΜΟΚΡΑΣΙΑ	32°C ΣΦ.Θ.Ξ/23°C ΣΦ.Θ.ΥΓ.
ΕΛΑΧΙΣΤΕΣ ΡΥΘΜΙΣΕΙΣ	ΕΞΩΤΕΡΙΚΗ ΘΕΡΜΟΚΡΑΣΙΑ	19°C ΣΦ.Θ.Ξ
	ΕΣΩΤΕΡΙΚΗ ΘΕΡΜΟΚΡΑΣΙΑ	19°C ΣΦ.Θ.Ξ/14°C ΣΦ.Θ.ΥΓ.
ΑΝΩΤΕΡΕΣ ΡΥΘΜΙΣΕΙΣ		
ΨΥΞΗ	ΕΞΩΤΕΡΙΚΗ ΘΕΡΜΟΚΡΑΣΙΑ	24°C ΣΦ.Θ.Ξ/18°C ΣΦ.Θ.ΥΓ.
	ΕΣΩΤΕΡΙΚΗ ΘΕΡΜΟΚΡΑΣΙΑ	27°C ΣΦ.Θ.Ξ
ΕΛΑΧΙΣΤΕΣ ΡΥΘΜΙΣΕΙΣ	ΕΞΩΤΕΡΙΚΗ ΘΕΡΜΟΚΡΑΣΙΑ	-8°C ΣΦ.Θ.Ξ/-9°C ΣΦ.Θ.ΥΓ.
	ΕΣΩΤΕΡΙΚΗ ΘΕΡΜΟΚΡΑΣΙΑ	-
ΑΦΥΓΡΑΝΣΗ		
ΨΥΞΗ	ΕΞΩΤΕΡΙΚΗ ΘΕΡΜΟΚΡΑΣΙΑ	43°C ΣΦ.Θ.Ξ
	ΕΣΩΤΕΡΙΚΗ ΘΕΡΜΟΚΡΑΣΙΑ	32°C ΣΦ.Θ.Ξ / 80% ΣΥ.
ΕΛΑΧΙΣΤΕΣ ΡΥΘΜΙΣΕΙΣ	ΕΞΩΤΕΡΙΚΗ ΘΕΡΜΟΚΡΑΣΙΑ	16°C ΣΦ.Θ.Ξ
	ΕΣΩΤΕΡΙΚΗ ΘΕΡΜΟΚΡΑΣΙΑ	16°C ΣΦ.Θ.Ξ / 80% ΣΥ.

ΤΟ ΠΡΟΙΟΝ

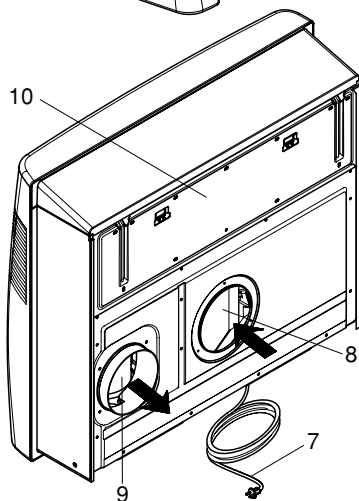
1. Τηλεχειριστήριο με υπεριώδεις ακτίνες
2. Σηματοδότησης
3. Εξόδος αέρα
4. Γρίλια αναρρόφησης (και στις δυο πλευρές)
5. Γρίλια αναρρόφησης
6. Φίλτρο αέρα
7. Ηλεκτρικό καλώδιο με ρευματολήπτη
8. Οπή εισόδου του αέρα
9. Ανεμιστήρας εξώθησης αέρα
10. Βάση ανάρτησης
11. Σωλήνας εκκένωσης συμπυκνώματος
12. Σωλήνας εκκένωσης συμπυκνώματος (στα μοντέλα με αντλία θερμότητας)



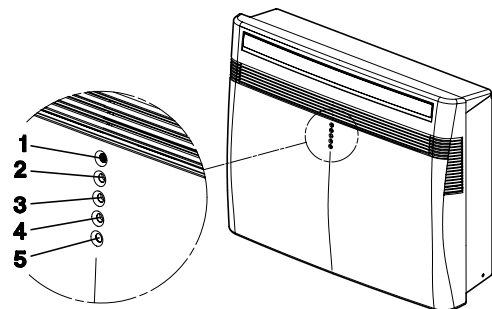
ΜΟΝΤΕΛΑ ΜΕ ΘΕΡΜΟΑΝΤΛΙΑ



ΜΟΝΤΕΛΑ ΜΟΝΟ ΨΥΞΗ



ΠΙΝΑΚΑΣ ΣΗΜΑΤΟΔΟΤΗΣΗΣ



1. Δείκτης τηλεχειριστηρίου: Ο δείκτης αυτός λαμβάνει την υπεριώδη ακτίνα από το τηλεχειριστήριο και θητει σε λειτουργία την μονάδα.
2. Λυχνία χρονοδιακόπτη (TIMER): ανάβει όταν η μονάδα ελέγχεται από το τιμερ ή το νυχτερινό πρόγραμμα.
3. Λυχνία αναμονής (STANDBY): ανάβει όταν το κλιματιστικό είναι συνδεδεμένο στο ρεύμα και είναι έτοιμο να δεχτεί την σήμανση του τηλεχειριστηρίου.
4. Λυχνία λειτουργίας (OPERATION): ανάβει όταν η μονάδα σε λειτουργία. Αναβοσβήνει μία φορά για να προειδοποιήσει ότι ελήφθη και καταχωρήθηκε η σήμανση του τηλεχειριτηρίου. Αναβοσβήνει συνεχώς κατά την διάρκεια των λειτουργιών προστασίας (απόψυξη, κλπ).
5. Επιλογέας λειτουργίας (χωρίς τηλεχειριστήριο): Πατήστε αυτό το πλήκτρο για να περάσετε από την μία λειτουργία στην άλλη:



ΠΡΟΕΙΔΟΠΟΙΗΣΗ

Στη θέση ΟΦΦ δεν διακόπτεται η ηλεκτρική τροφοδοσία. Χρησιμοποιήστε τον κεντρικό διακόπτη για να απομονώσετε το κλιματιστικό.

ΜΟΝΤΕΛΑ ΜΟΝΟ ΨΥΞΗ

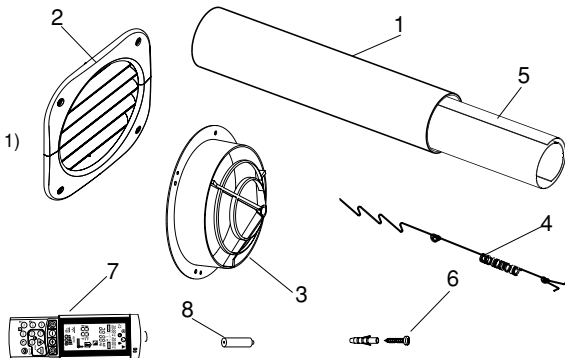


ΜΟΝΤΕΛΑ ΜΕ ΘΕΡΜΟΑΝΤΛΙΑ



ΠΡΟΑΙΡΕΤΙΚΑ ΕΞΑΡΤΗΜΑΤΑ (ΚΑΤΟΠΙΝ ΠΑΡΑΓΓΕΛΙΑΣ)

1. ΠΛΑΣΤΙΚΟΣ ΣΩΛΗΝΑΣ (ΠΟΣ. 1)
2. ΕΞΩΤΕΡΙΚΗ ΜΑΣΚΑ (ΠΟΣ. 2)
3. ΕΞΩΤΕΡΙΚΗ ΜΑΣΚΑ (ΠΟΣ. 2)
4. ΕΛΚΥΣΤΗΡΕΣ ΜΕ ΕΛΑΤΗΡΙΟ (ΠΟΣ. 2)
5. ΜΟΝΤΕΛΟ ΓΙΑ ΤΗ ΔΙΑΝΟΙΞΗ ΟΠΩΝ (ΠΟΣ. 1)
6. ΠΛΑΣΤΙΚΟ ΒΙΣΜΑ + ΒΙΔΑ (ΠΟΣ. 15)
7. ΤΗΛΕΧΕΙΡΙΣΤΗΡΙΟ (ΠΟΣ. 1)
8. ΑΑΑ ΑΛΚΑΛΙΚΗ ΜΠΑΤΑΡΙΑ (ΠΟΣ. 2)



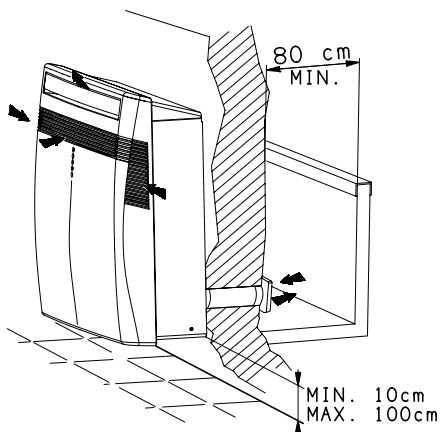
ΕΓΚΑΤΑΣΤΑΣΗ

Προτείνουμε το κλιματιστικό να τοποθετείται από ειδικευμένο τεχνικό και σύμφωνα με τις οδηγίες εγκατάστασης που παρέχονται με το μηχάνημα.

GR

ΕΠΙΛΟΓΗ ΤΗΣ ΘΕΣΗΣ ΓΙΑ ΤΗΝ ΕΓΚΑΤΑΣΤΑΣΗ ΤΗΣ ΜΟΝΑΔΑΣ

- Σε περίπτωση εγκατάστασης στη θέση ενός καλοριφέρ, ακολουθήστε τις οδηγίες που αναφέρονται στη συμπληρωματική μονάδα.
- Ο τοίχος πρέπει να είναι περιμετρικός (εξωτερικός).
- Στερεώστε τη μονάδα σε ελάχιστο ύψος 10 cm και μέγιστο 100 cm.
- Βεβαιωθείτε πως ο τοίχος που διαλέξατε είναι επαρκώς εύρωστος για να σηκώνει το βάρος της μονάδας.
- Αφήστε γύρω από τη μονάδα αρκετό ελεύθερο χώρο για τις εργασίες συντήρησης.
- Βεβαιωθείτε πως δεν εμποδίζεται η ελεύθερη κυκλοφορία του αέρα, κοντά στη μονάδα.
- Μην εγκαταστήσετε τη μονάδα έτσι ώστε η ροή του αέρα να κατευθύνεται πάνω σε άτομα, ηλεκτρικές συσκευές ή πηγές θερμότητας.



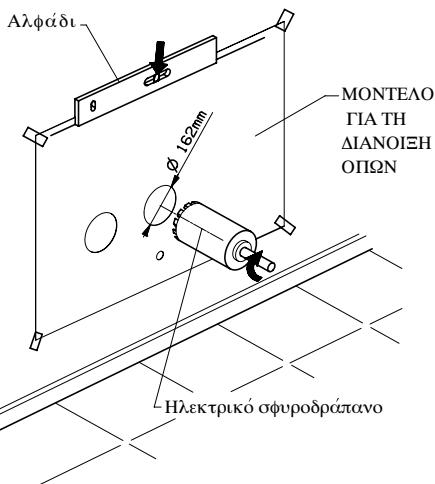
ΠΡΟΣΟΧΗ

Αφού επιλέξετε τη θέση εγκατάστασης σύμφωνα με τα παραπάνω κριτήρια, βεβαιωθείτε πως στα σημεία που πρόκειται να διανοίξετε τις οπές, δεν υπάρχουν δομές ή εγκαταστάσεις (υδραυλικοί σωλήνες, ηλεκτρικά καλώδια) που μπορεί να πάθουν ζημιά.

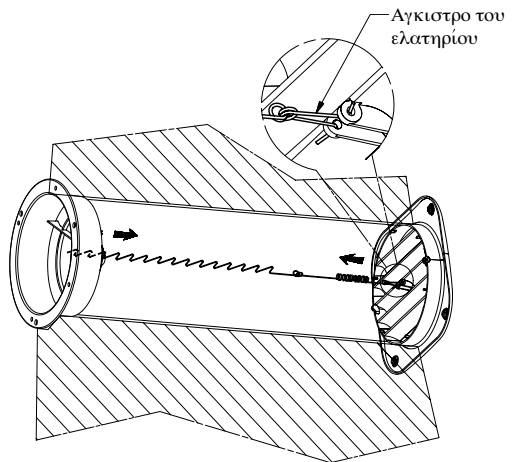
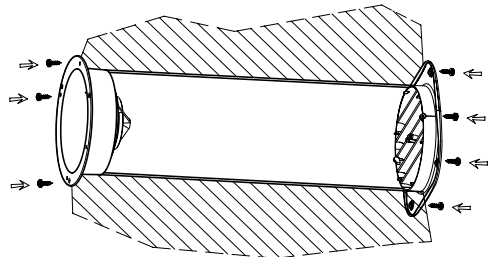
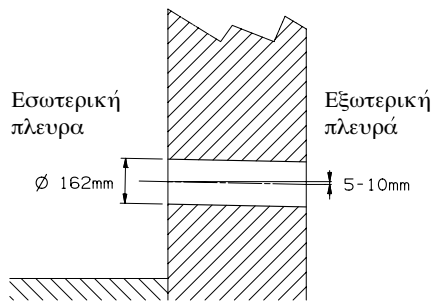
Ελέγξτε επίσης για τυχόν εμπόδια στην ελεύθερη κυκλοφορία του εξωτερικού αέρα διαμέσου των εντοιχισμένων αγωγών. Η ελάχιστη απόσταση από τοίχους ή άλλα εμπόδια πρέπει να είναι 80 cm.

ΣΥΝΑΡΜΟΛΟΓΗΣΗ ΤΗΣ ΜΟΝΑΔΑΣ

- Τοποθετήστε στον τοίχο την πλάκα διάτρησης και οριζοντιώστε την με το αλφάδι.
- Διανοίξτε δύο οπές $\varnothing 162$ mm και μια οπή $\varnothing 35$ mm για τη μονάδα με αντλία θερμότητας (αν υπάρχει), ώστε να γίνεται η εκκένωση του συμπυκνώματος προς τα έξω (η οπή πρέπει να έχει κλίση προς τα έξω).

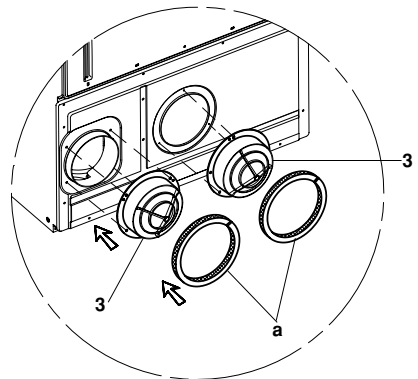
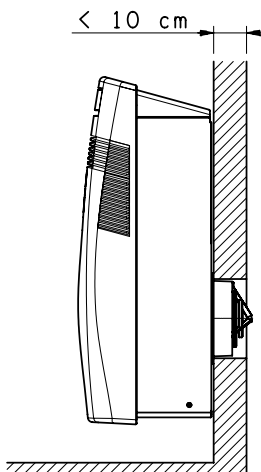


- Περάστε στις δύο οπές τον πλαστικό σωλήνα που συνοδεύει τη συσκευή. Κάψτε τον σωλήνα στη σωστή διάσταση: πρέπει να μετρήσετε το πάχος του τοίχου και να αφαιρέσετε 70 mm.
- Στερεώστε τις δύο προστατευτικές μάσκες και στο εξωτερικό τις δύο μάσκες με τα πτερύγια στραμμένα προς τα κάτω, χρησιμοποιώντας ούπα και βίδες τοίχου.
- Αν δεν είναι δυνατόν να στερεώσετε κατευθείαν στον τοίχο τις δύο εξωτερικές μάσκες, στερεώστε τις στις δύο εσωτερικές με τους ελατηριωτούς ελκυστήρες που συνοδεύουν την συσκευή. Εκτελέστε τα εξής:
 - α) Λυγίστε τις μάσκες, στερεώστε το άγκιστρο του ελατηρίου, περάστε τις στο σωλήνα και ανοίξτε τις προς τα έξω.
 - β) Επιλέξτε το καταλληλότερο άγκιστρο του ελκυστήρα, ώστε το ελατήριο να εμμηκύνεται κατά 15-20 mm και προσδέστε το στην εσωτερική μάσκα.
 - γ) Κάψτε το παραπανίσιο τμήμα του ελκυστήρα, κοντά στα σημεία πρόσδεσης.
- Σε περίπτωση πολύ λεπτών τοίχων (λιγότερο από 10 cm) πρέπει να τοποθετήσετε τις προστατευτικές μάσκες στο πίσω μέρος της μονάδας, αφαιρώντας τις φλάντζες (α) από τη ράχη και τοποθετώντας τις γύρω από τις μάσκες. Ο σωλήνας και οι εξωτερικές μάσκες δεν θα χρησιμοποιηθούν.



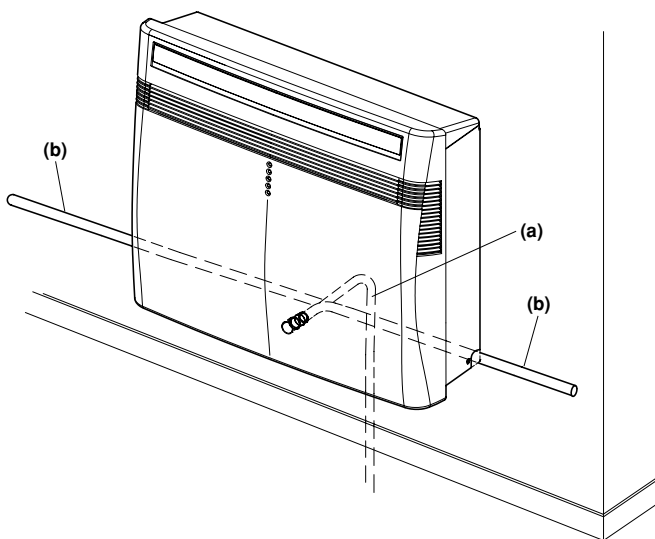
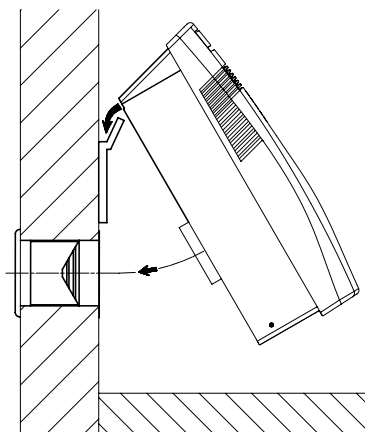
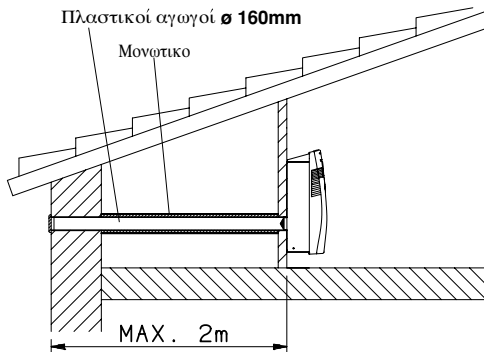
ΠΡΟΣΟΧΗ

Ο κατασκευαστικός οίκος δεν αναλαμβάνει καμία ευθύνη, στην περίπτωση που δεν τηρήσετε αυτές τις προδιαγραφές ασφαλείας και πρόληψης ατυχημάτων.



ΣΗΜΑΝΤΙΚΟ: Οι πλαστικοί αγωγοί που συνοδεύουν τη συσκευή είναι κατάλληλοι για τοίχους μέγιστου πάχους 50 cm. Σε ιδιαίτερες περιπτώσεις (για παράδειγμα εγκατάσταση κάτω από τη στέγη) μπορεί να χρειάζονται σωλήνες μεγαλύτερου μήκους. Το μέγιστο επιτρεπτό μήκος είναι 2 m. Αγοράστε σε ένα κατάστημα οικοδομικών υλικών, πλαστικό σωλήνα ίδιας διαμέτρου (Ø160 mm) και κατάλληλου μήκους και μονώστε τον με υαλοβάμβακα πάχους 3-4 cm. περίπου.

- Στερεώστε τη βάση ανάρτησης στη θέση που σημειώνεται στη πλάκα διάνοιξης οπών. Χρησιμοποιήστε ούπα (που δεν προμηθεύονται) τύπου και ποσότητας ανάλογα με τη σύσταση του τοίχου. Η βάση πρέπει να εφαρμόζει καλά στον τοίχο.
- Κρεμάστε τη μονάδα στη βάση με το οπίσθιο στόμα του ανεμιστήρα περασμένο στη μάσκα.
- Σε περίπτωση εγκατάστασης ενός μοντέλου με αντλία θερμότητας πρέπει να φτιάξετε μια γραμμή εκκένωσης του συμπυκνώματος διανοίγοντας μια οπή Ø 35 mm, όπως σημειώνεται στην πλάκα διάνοιξης οπών, για την εξωτερική αποχέτευση (α). Αν είναι δυνατόν, αφήστε το σωλήνα μέσα (β) και συνδέστε τον σε ένα κατάλληλο σημείο αποχέτευσης. Ο σωλήνας πρέπει να έχει οπωσδήποτε κλίση 1 cm ανά μέτρο.
- Συνδέστε τη μονάδα στο ηλεκτρικό δίκτυο, χρησιμοποιώντας το καλώδιο με το φως.
- Βεβαιωθείτε για τη σωστή λειτουργία.



ΠΡΙΝ ΧΡΗΣΙΜΟΠΟΙΗΣΕΤΕ ΤΟ ΚΛΙΜΑΤΙΣΤΙΚΟ

- Ελέγξτε αν η ονομαστική τάση μονοφάσης της τροφοδοσίας στο χώρο όπου χρησιμοποιείται, είναι 220/240 Volt.
- Σιγουρευτείτε ότι η ηλεκτρική εγκατάσταση είναι σε θέση να διοχετεύσει το αναγκαίο ρεύμα λειτουργίας του κλιματιστικού εκτός από εκείνο που συνήθως απορροφάται από τις άλλες συσκευές (ηλεκτρικές συσκευές, φωτισμός). Ελέγξτε τη μέγιστη απορρόφηση που σημειώνεται στην πινακίδα που υπάρχει σε κάθε συσκευή.
- Εγκαταστήστε ένα διπολικό διακόπτη, με επιβραδυνόμενη ασφάλεια, στον ρευματολήπτη τροφοδοσίας 10A.
- Όλες οι ηλεκτρικές συνδέσεις πρέπει να είναι σύμφωνες με τους τοπικούς ηλεκτρικούς κανονισμούς.
- Σιγουρευτείτε ότι οι αυτόματοι διακόπτες και τα όρια ασφαλείας της εγκατάστασης είναι ικανά να ανεχθούν το ρεύμα εκκίνησης (συνήθως για χρόνο μικρότερο από 1 δευτερόλεπτο).
- Μην τοποθετείτε την εσωτερική μονάδα σε χώρους όπου μπορεί να πεταχτεί νερό (π.χ. πλύντηριο).
- Σιγουρευτείτε ότι ο ρευματοδότης της εγκατάστασης διαθέτει πάντα καλώδιο γείωσης σε καλή κατάσταση.
- Μην χρησιμοποιείτε ποτέ το φως για να ανάψετε ή να σβήσετε το κλιματιστικό: να χρησιμοποιείτε πάντα το κουμπί λειτουργίας (ON/OFF) στο τηλεχειριστήριο ή τον διακόπτη λειτουργίας της μονάδας.
- ΠΡΟΣΟΧΗ! Μην βάζετε τίποτε μέσα στο κλιματιστικό. Είναι επικίνδυνο γιατί ο ανεμιστήρας περιστρέφεται με μεγάλη ταχύτητα.
- **ΠΡΟΣΟΧΗ - ΚΙΝΔΥΝΟΣ!**
Η συσκευή κλιματισμού διαθέτει σύστημα καθυστέρησης εκκίνησης για το συμπιεστή. Ο συμπιεστής ξεκινά με καθυστέρηση 3 λεπτών μετά τη διαδικασία μεταγωγής ON/OFF.
- Βεβαιωθείτε ότι δεν υπάρχουν εμπόδια δίπλα στην εσωτερική μονάδα που μπορούν να διακόψουν τη ροή αέρα. Μην φράζετε την παροχή αέρα και τη σχάρα εισόδου αέρα της μονάδας με παραπετάσματα ή παρόμοια αντικείμενα. Μην αποθέτετε αντικείμενα πάνω στη συσκευή.
- Η συσκευή επιτυγχάνει τις μέγιστες επιδόσεις στις εξής συνθήκες:
Την πρώτη φορά που θα ανάψετε τη συσκευή, αφήστε την να δουλέψει τουλάχιστον για μια ώρα.
- Ο κατασκευαστής δεν φέρει καμία ευθύνη στην περίπτωση κατά την οποία δεν τηρούνται οι κανονισμοί ασφαλείας για την πρόληψη των ατυχημάτων.



ΠΡΟΒΛΙΟΠΟΙΗΣΗ

Πριν εκτελέσετε οποιαδήποτε εργασία μετατόπισης ή καθαρισμού, βεβαιωθείτε πως το ψις είναι βγαλμένο από την πρίζα και σε περίπτωση μετατόπισης της μονάδας, αδειάστε το συμπύκνωμα που έχει συσσωρευτεί στη βάση της.

ΤΟΠΟΘΕΤΗΣΗ ΜΠΑΤΑΡΙΩΝ

- Αφαιρέστε το σκέπαστρο στο μέρος του τηλεχειριστηρίου.
- Βάλτε δύο μπαταρίες του 1,5 V-DC τύπου AAA αλκαλικές.

Τηρήστε την πολικότητα σύμφωνα με τις ενδείξεις στο τηλεχειριστήριο.

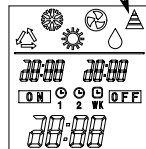
- Η μέση διάρκεια των μπαταριών είναι έξι μήνες εξαρτάται όμως και από τη συχνότητα με την οποία χρησιμοποιείται το τηλεχειριστήριο. Βγάλτε τις μπαταρίες σε περίπτωση που δεν χρησιμοποιείτε το τηλεχειριστήριο για πολύ καιρό (πάνω από ένα μήνα). Πατήστε το πλήκτρο ACL με ένα λεπτό αντικείμενο για παράδειγμα με τη μύτη ενός μολυβιού ή ενός στυλού αφού πρώτα αντικαταστήσετε τις μπαταρίες. Πατήστε ταυτόχρονα τα πλήκτρα +, -, SET και CLEAR αφού αλλάξετε τις μπαταρίες. (Η εργασία αυτή δίνει τη δυνατότητα να μηδενιστούν σωστά όλα τα προγράμματα. Το τηλεχειριστήριο θα πρέπει να ρυθμιστεί ξανά). Αντικαταστήστε τις μπαταρίες όταν η λυχνία μετάδοσης δεδομένων του τηλεχειριστηρίου δεν αναβοσβήνει πλέον ή όταν το κλιματιστικό δεν ανταποκρίνεται στις εντολές του τηλεχειριστηρίου.

- Οι μπαταρίες που βρίσκονται στο τηλεχειριστήριο, περιέχουν υλικά που μολύνουν το περιβάλλον. Όταν χρειαστεί να τις αλλάξετε, πετάξτε τις σε μέρος για την απομάκρυνση τέτοιων υλικών.

ΕΠΙΛΟΓΕΑΣ ΤΟΥ ΑΙΣΘΗΤΗΡΑ ΘΕΡΜΟΚΡΑΣΙΑΣ

- Υπό κανονικές συνθήκες η θερμοκρασία του περιβάλλοντος μετράται και ελέγχεται από τον αισθητήρα θερμοκρασίας που υπάρχει στο κλιματιστικό.
- Πατήστε το πλήκτρο I FEEL για να ενεργοποιήσετε τον αισθητήρα θερμοκρασίας που βρίσκεται τοποθετημένος στο τηλεχειριστήριο. Η λειτουργία αυτή βοηθά την επίτευξη μιας τέλει θερμοκρασίας της ατμόσφαιρας διότι το τηλεχειριστήριο μεταδίδει την θερμοκρασία από την θέση στην οποία βρίσκεστε. Άρα λοιπόν, για να χρησιμοποιήσετε την λειτουργία αυτή, το τηλεχειριστήριο πρέπει να κατευθύνεται πάντα προς το κλιματιστικό.

Το τηλεχειριστήριο στέλνει σήμα για τη θερμοκρασία στο κλιματιστικό σε διαστήματα δύο λεπτών. Εάν το σήμα από το τηλεχειριστήριο σταματήσει για περισσότερο από πέντε λεπτά λόγω απώλειας του τηλεχειριστηρίου ή λόγω άλλου προβλήματος, το κλιματιστικό θα γυρίσει στον αισθητήρα θερμοκρασίας που είναι ενσωματωμένος στην εσωτερική μονάδα για να ελέγχει τη θερμοκρασία δωματίου. Σ' αυτές τις περιπτώσεις, η θερμοκρασία γύρω από το τηλεχειριστήριο μπορεί να διαφέρει από τη θερμοκρασία στη θέση του κλιματιστικού.



ΘΕΘΟΝΗ ΤΗΛΕΧΕΙΡΙΣΤΗΡΙΟΥ

ΛΕΙΤΟΥΡΓΙΑ ΜΕ ΤΟ ΤΗΛΕΧΕΙΡΙΣΤΗΡΙΟ

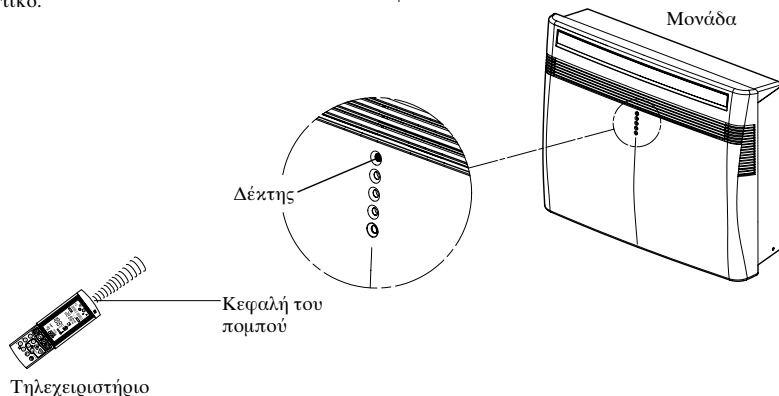


ΠΡΟΣΟΧΗ

Ελέγξτε αν ο γενικός διακόπτης τροφοδοσίας είναι κλειστός και αν ο επιλογέας λειτουργίας της εσωτερικής μονάδας βρίσκεται στη θέση ON.

ΠΩΣ ΧΡΗΣΙΜΟΠΟΙΕΙΤΑΙ ΤΟ ΤΗΛΕΧΕΙΡΙΣΤΗΡΙΟ

Κατευθύνετε το τηλεχειριστήριο με την κεφαλή του αναμεταδότη προς τον αποδέκτη που είναι τοποθετημένος στο κλιματιστικό.



ΤΗΛΕΧΕΙΡΙΣΤΗΡΙΟ

ΘΘΟΝΗ

Εμφανίζονται οι πληροφορίες όταν το τηλεχειριστήριο είναι αναμμένο. Επιδεικνύει την μετάδοση των δεδομένων ή το μπλόκαρισμα του τηλεχειριστηρίου

- Αυτόματη λειτουργία
- Ψύξη
- Θέρμανση
- Αφύγραση
- Αερισμός

Shows the type of timer

Χρονοδιακότης στην θέση ON



Χρονοδιακότης στην θέση OFF

Ρολοί ώρες/λεπτά

Νυχτερινό πρόγραμμα

Κίνηση εκτροπέα αερός ενεργοποιημένη

Ρύθμιση θερμοκρασίας ή θερμοκρασία περιβάλλοντος

Εμφανίζεται όταν η θερμοκρασία που ενδείκνυται είναι η θερμοκρασία περιβάλλοντος

Δείχνει ότι το κλιματιστικό λειτουργεί σε τρόπο I FEEL

- Ταχύτητα εξαεριστήρα
- Αυτόματη λειτουργία
 - Υψηλή ταχύτητα
 - Μέση ταχύτητα
 - Χαμηλή ταχύτητα

Μπουτόν **ON/OFF** (αναμμένο/σβησμένο)
Το μπουτόν αυτό χρησιμοποιείται για να τεθεί σε λειτουργία ή να σταματήσει το κλιματιστικό.

ΜΠΟΥΤΟΝ ΤΡΟΠΟΥ ΛΕΙΤΟΥΡΓΙΑΣ

Πατήστε αυτό το μπουτόν για να μεταβάλλετε τη λειτουργία του κλιματιστικού.

- (αυτόματη λειτουργία) ★
- Όταν επιλέξετε αυτή τη θέση "αυτόματη λειτουργία" ο μικροεπεξεργαστής επιλέγει αυτόματα μεταξύ ψύξης και θέρμανσης με βάση την διαφορά θερμοκρασίας μεταξύ θερμοκρασίας περιβάλλοντος και καταγεγραμμένης θερμοκρασίας στο τηλεχειριστήριο.
- (θέρμανση) ★
- Το κλιματιστικό θερμαίνει το περιβάλλον.
- (αφύγραση)
- Το κλιματιστικό μειώνει την υγρασία του περιβάλλοντος.
- (ψύξη)
- Το κλιματιστικό ψύχει τον αέρα χαμηλώνοντας την θερμοκρασία του περιβάλλοντος.
- (αερισμός)
- Η μονάδα δουλεύει μόνο ανα ανεμιστήρας.
- ★ **COOL/DRY/HEAT/FAN**

Μπουτόν SLEEP (νυχτερινό πρόγραμμα)

Περσσότερες λεπτομέρειες στο "Νυχτερινό πρόγραμμα" Όταν πατάτε αυτό το μπουτόν στον τρόπο λειτουργίας ΨΥΞΗ, ΘΕΡΜΑΝΣΗ ή ΑΦΥΓΡΑΝΣΗ το σήμα εμφανίζεται στην οθόνη και ο μικροεπεξεργαστής του τηλεχειριστηρίου θα ρυθμίσει την επιλεγμένη θερμοκρασία έτσι ώστε να γίνει εξοικονόμηση ενέργειας.

ΕΠΙΛΟΓΕΑΣ ΔΙΣΘΗΤΗΡΑ ΘΕΡΜΟΚΡΑΣΙΑΣ

Πατήστε το πλήκτρο I FEEL για να ενεργοποιήσετε τον αισθητήρα της θερμοκρασίας που βρίσκεται τοποθετημένος στο τηλεχειριστήριο. Με την λειτουργία αυτή δημιουργείται μία νέα θερμοκρασία περιβάλλοντος.

ΑΝΑΜΕΤΑΑΘΗΣ

Όταν πατιούνται τα πλήκτρα του τηλεχειριστηρίου, το σύμβολο παρουσιάζεται στην οθόνη και μεταδίδει τις αλλαγές ρύθμισης στον αποδέκτη του κλιματιστικού.

ΔΙΣΘΗΤΗΡΑΣ

Στο εσωτερικό του τηλεχειριστηρίου, ένας αισθητήρας θερμοκρασίας σημειώνει τη θερμοκρασία του περιβάλλοντος.

ΜΠΟΥΤΟΝ ΕΠΙΛΟΓΗΣ ΘΕΡΜΟΚΡΑΣΙΑΣ

- (περισσότερο κρύο)
Πατήστε αυτό το μπουτόν για να χαμηλώσετε την επιλεγμένη θερμοκρασία.
- + (περισσότερη ζέση)
Πατήστε αυτό το μπουτόν για να ανεβάσετε την επιλεγμένη θερμοκρασία

ΜΠΟΥΤΟΝ FAN SPEED (ταχύτητα εξαεριστήρα)

- AUTO** Η ταχύτητα του εξαεριστήρα επιλέγεται αυτόματα από τον μικροεπεξεργαστή.
- Υψηλή ταχύτητα ανεμιστήρα.
- Μέση ταχύτητα ανεμιστήρα.
- Χαμηλή ταχύτητα ανεμιστήρα.

ΠΛΗΚΤΡΟ SET

Πατήστε το πλήκτρο αυτό για την επιλογή του ακόλουθου λειτουργιών:

- Ρύθμιση της ώρας
- Ρύθμιση του timer ON/OFF

Για περισσότερες λεπτομέρειες δείτε τα κεφάλαια "ΠΩΣ ΡΥΘΜΙΖΕΤΑΙ ΤΟ ΡΟΛΟΙ" και "ΡΥΘΜΙΖΕΤΑΙ ΤΟΥ TIMER".

ΠΛΗΚΤΡΑ ΡΥΘΜΙΣΗΣ ΡΟΛΟΓΙΟΥ ΚΑΙ ΡΥΘΜΙΣΗ ΤΗΣ ΩΡΑΣ ΣΤΟ TIMER

Πατώντας τα πλήκτρα + ή - ενεργοποιείται η ρύθμιση της ώρας και του timer. Για περισσότερες λεπτομέρειες δείτε τα κεφάλαια "ΠΩΣ ΡΥΘΜΙΖΕΤΑΙ ΤΟ ΡΟΛΟΙ" και "ΡΥΘΜΙΖΕΤΑΙ ΤΟΥ TIMER".

Πλήκτρο TIMER (ρύθμιση του timer)

Πατώντας το πλήκτρο TIMER στην οθόνη ενεργοποιείται η διαδικασία για την ρύθμιση ON/OFF του timer.

ΜΠΛΟΚΑΡΙΣΜΑ ΤΟΥ ΤΗΛΕΧΕΙΡΙΣΤΗΡΙΟΥ

Πατώντας το πλήκτρο αυτό το τηλεχειριστήριο μπλοκάρει στην τελευταία ρύθμιση. Όταν η είναι ενεργοποιημένη το τηλεχειριστήριο δεν είναι σε θέση να ελέγξει το κλιματιστικό. Για να ξεμπλοκάρει το τηλεχειριστήριο πατήστε εκ νέου .

ΕΠΙΛΟΓΕΙΣ ΤΑΧΥΤΗΤΑΣ ΕΚΤΡΟΠΕΑ

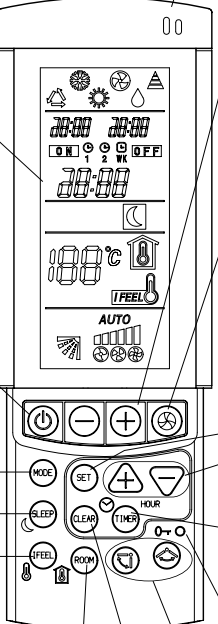
- Πατήστε τα πλήκτρα αυτά για να επιλέξετε την επιθυμητή λειτουργία του εκτροπέα
- : Πατήστε το πλήκτρο για να κινηθείτε τον εκτροπέα. Πατώντας και πάλι ο εκτροπέας σταματάει αισιώς.
- : Πατήστε το πλήκτρο για να μετακινήσετε τον εκτροπέα βήμα προς βήμα.

ΘΕΡΜΟΡΑΣΙΑ ΠΕΡΙΒΑΛΛΟΝΤΟΣ

Πατήστε το πλήκτρο ROOM για να απεικονίσετε την θερμοκρασία περιβάλλοντος κοντά στο τηλεχειριστήριο.

ΠΩΣ ΝΑ ΜΗΔΕΝΙΣΕΤΕ ΤΟ TIMER

Πατήστε το πλήκτρο CLEAR αν θέλετε να σβήσετε όλες τις ρυθμίσεις του timer.



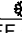
ΡΥΘΜΙΣΗ ΩΡΟΛΟΓΙΟΥ

- 1 Πατήστε το πλήκτρο SET για πέντε δευτερόλεπτα. Αναβοβήνει μόνο η ένδειξη της ώρας.
- 2 Πατήστε τα πλήκτρα + ή - μέχρι να εμφανιστεί η σωστή ώρα.
- 3 Πατήστε το πλήκτρο SET και η ένδειξη θα αντανακλάσει να αναβοβήνει.

ΨΥΞΗ

ΣΗΜΕΙΩΣΗ

Επαληθεύστε αν η μονάδα είναι συνδεδεμένη στο ρεύμα και αν η φωτεινή ένδειξη **STANDBY** είναι αναμμένη.


1. Πατήστε το μπουτόν **MODE** (τρόπος λειτουργίας) μέχρι που στην οθόνη να εμφανιστεί το σύμβολο ΨΥΞΗ .
2. Πατήστε το μπουτόν **ON/OFF** και θέστε σε λειτουργία το κλιματιστικό.
3. Πατήστε τα μπουτόν **TEMP. (3)** για να καταγράψετε την επιθυμητή θερμοκρασία (ο τομέας ρύθμισης είναι μεταξύ 30 °C μέγιστο και 16 °C ελάχιστο).



ΣΤΗΝ ΟΘΟΝΗ ΘΑ ΕΜΦΑΝΙΣΤΕΙ Η ΕΠΙΛΕΓΜΕΝΗ ΘΕΡΜΟΚΡΑΣΙΑ

4. Πατήστε το μπουτόν **FAN SPEED** για να επαναρυθμίσετε την ταχύτητα του εξαεριστήρα.
5. Πατήστε το πλήκτρο και ρυθμίστε τη διεύθυνση κυκλοφορίας του αέρα όπως επιθυμείτε (βλ. ρύθμιση κυκλοφορίας του αέρα)

ΘΕΡΜΑΝΣΗ

1. Πατήστε το μπουτόν **MODE** (τρόπος λειτουργίας) μέχρι που στην οθόνη να εμφανιστεί το σύμβολο ΨΥΞΗ .
2. Πατήστε το μπουτόν **ON/OFF** και θέστε σε λειτουργία το κλιματιστικό.
3. Πατήστε τα μπουτόν **TEMP. (3)** για να καταγράψετε την επιθυμητή θερμοκρασία (ο τομέας ρύθμισης είναι μεταξύ 30 °C μέγιστο και 16 °C ελάχιστο).



ΣΤΗΝ ΟΘΟΝΗ ΘΑ ΕΜΦΑΝΙΣΤΕΙ Η ΕΠΙΛΕΓΜΕΝΗ ΘΕΡΜΟΚΡΑΣΙΑ

4. Πατήστε το μπουτόν **FAN SPEED** για να επαναρυθμίσετε την ταχύτητα του εξαεριστήρα.
5. Πατήστε το πλήκτρο και ρυθμίστε τη διεύθυνση κυκλοφορίας του αέρα όπως επιθυμείτε (βλ. ρύθμιση κυκλοφορίας του αέρα)

ΣΗΜΕΙΩΣΗ

Μετά την ενεργοποίηση της λειτουργίας θέρμανσης ο ανεμιστήρας της εσωτερικής μονάδας θα παραμείνει σταματημένος. Αυτό γίνεται διότι υπάρχει η προστασία "Πρόληψη ρεύματος ψυχρού αέρα" με βάση την οποία θα ενεργοποιηθεί η λειτουργία του ανεμιστήρα μόνο όταν ο εναλλακτής θερμότητας της εσωτερικής μονάδας θα είναι αρκετά ζεστός.


ΑΠΟΨΥΞΗ ΤΟΥ ΕΝΑΛΛΑΚΤΗ ΘΕΡΜΟΤΗΤΑΣ ΕΞΩΤΕΡΙΚΗ ΜΟΝΑΔΑ "STANDBY"

Όταν η εξωτερική θερμοκρασία πέφτει κάτω από το μηδέν στην εξωτερική μπαταρία σχηματίζεται πάγος που μειώνει την ικανότητα θέρμανσης. Όταν συμβαίνει αυτό ο μικροεπεξεργαστής δίνει εντολή για αντίστροφη λειτουργία του κλιματιστικού (απόψυξη). Μ' αυτήν τη λειτουργία ο ανεμιστήρας της εσωτερικής μονάδας σταματά και η λυχνία **OPERATION** αναβοβήνει για όλη τη διάρκεια της απόψυξης. Η λειτουργία θέρμανσης επανέρχεται μετά από λίγα λεπτά σε σχέση με την θερμοκρασία του περιβάλλοντος και την εξωτερική.

ΛΕΙΤΟΥΡΓΙΑ ΚΑΙ ΑΠΟΔΟΣΗ ΕΝΟΣ ΣΥΣΤΗΜΑΤΟΣ ΜΕ ΘΕΡΜΟΑΝΤΙΑ

Ένα κλιματιστικό στην έκδοση με θερμοαντλία θερμαίνει το περιβάλλον αποσπώντας τη θερμότητα του εξωτερικού αέρα. Κατά συνέπεια η απόδοση (αποτελεσματικότητα) του συστήματος μειώνεται όταν η εξωτερική θερμοκρασία πέφτει κάτω από το μηδέν. Αν το κλιματιστικό δεν κατορθώνει να διατηρήσει μια ικανοποιητική θερμοκρασία η θέρμανση θα πρέπει να ολοκληρωθεί με μια άλλη συσκευή.

ΑΥΤΟΜΑΤΗ ΛΕΙΤΟΥΡΓΙΑ

1. Πατήστε το μπουτόν **MODE** (τρόπος λειτουργίας) μέχρι που στην οθόνη να εμφανιστεί το σύμβολο **AUTOMATIC** .
2. Πατήστε το μπουτόν **ON/OFF** και θέστε σε λειτουργία το κλιματιστικό.
3. Πατήστε τα μπουτόν **TEMP. (3)** για να καταγράψετε την επιθυμητή θερμοκρασία (ο τομέας ρύθμισης είναι μεταξύ 30 °C μέγιστο και 16 °C ελάχιστο).




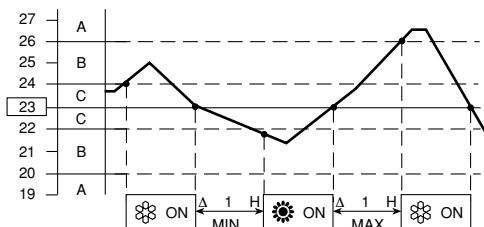
ΣΤΗΝ ΟΘΟΝΗ ΘΑ ΕΜΦΑΝΙΣΤΕΙ Η ΕΠΙΛΕΓΜΕΝΗ ΘΕΡΜΟΚΡΑΣΙΑ

Το κλιματιστικό θα λειτουργήσει αυτόματα περνώντας από τη λειτουργία θέρμανσης στην ψύξη (ή αντίθετα) έτσι ώστε να διατηρήσει την κατεγραμμένη θερμοκρασία.

4. Πατήστε το μπουτόν **FAN SPEED** για να επαναρυθμίσετε την ταχύτητα του εξαεριστήρα.

ΛΕΙΤΟΥΡΓΙΑ ΜΕΤΟ ΤΗΛΕΧΕΙΡΙΣΤΗΡΙΟ

Παράδειγμα σχήμα λειτουργίας στη θέση  με τη θερμοκρασία περιβάλλοντος ρυθμισμένη στους **23** βαθμούς.

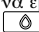


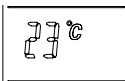
ΣΗΜΕΙΩΣΗ

Το κλιματιστικό αλλάζει τρόπο λειτουργίας (από ζεστό σε χύο αέρα ή και αντίστροφα) όταν παρουσιάζεται μία από τις παρακάτω περιπτώσεις:

- **ΖΩΝΗ Α:** Αλλάζει αν η θερμοκρασία διαφοροποιείται κατά τουλάχιστον 3° C απο εκείνη που έχει ρυθμιστεί στο τηλεχειριστήριο.
- **ΖΩΝΗ Β:** Αλλάζει αν η θερμοκρασία διαφοροποιείται κατά τουλάχιστον 1° C ώρα απο το σταθμισμα του συστήματος.
- **ΖΩΝΗ Γ:** Δεν αλλάζει ποτε αν η θερμοκρασία δεν διαφοροποιηθεί περισσότερο απο 1° C απο εκείνη που έχει ρυθμιστεί στο τηλεχειριστήριο.

ΑΦΥΓΡΑΝΣΗ

1. Πατήστε το μπουτόν **MODE** (τρόπος λειτουργίας) μέχρι να εμφανιστεί στην οθόνη το σύμβολο **ΑΦΥΓΡΑΝΣΗ** .
2. Πατήστε το μπουτόν **ON/OFF** και θέστε σε λειτουργία το κλιματιστικό.
3. Πατήστε τα μπουτόν **TEMP.** για να καταγράψετε την επιθυμητή θερμοκρασία (ο τομέας ρύθμισης είναι μεταξύ 30 °C μέγιστο και 16 °C ελάχιστο).



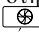
ΣΤΗΝ ΟΘΟΝΗ ΘΑ ΕΜΦΑΝΙΣΤΕΙ Η ΕΠΙΛΕΓΜΕΝΗ ΘΕΡΜΟΚΡΑΣΙΑ

ΣΗΜΕΙΩΣΗ

- Χρησιμοποιήστε τη λειτουργία αφύγρυνσης όταν θέλετε να μειώσετε την υγρασία του περιβάλλοντος.
- Όταν η θερμοκρασία περιβάλλοντος φθάνει την καταγεγραμμένη τιμή στο τηλεχειριστήριο (θερμοστάτης) το κλιματιστικό επαυτοματίως αναμμένο ή σβησμένο.
- Με ρυθμιζόμενη τη λειτουργία αφύγρυνσης ο ανεμιστήρας περιστρέφεται αυτόματα με χαμηλή ταχύτητα ή σταματά για να αποφυγει την υπερβολική ψύξη.

ΜΟΝΟ ΑΝΕΜΙΣΤΗΡΑΣ

Όταν θέλετε μόνο κυκλοφορία αέρος, ή πρόγραμμα αυθόρμησης της θερμοκρασίας τότε:

1. Πατήστε το μπουτόν **MODE** (τρόπος λειτουργίας) μέχρι να εμφανιστεί στην οθόνη το σύμβολο **ΜΟΝΟ ΑΝΕΜΙΣΤΗΡΑΣ** .
2. Πατήστε το μπουτόν **ON/OFF** και θέστε σε λειτουργία το κλιματιστικό.

ΕΠΙΛΟΓΗ ΤΑΧΥΤΗΤΑΣ ΕΞΑΕΡΙΣΤΗΡΑ

ΑΥΤΟΜΑΤΗ ΛΕΙΤΟΥΡΓΙΑ

Με το μπουτόν **FAN SPEED** πηγαίνετε στη θέση **AUTO**. Ο μικροπεξεργαστής θα ελέγξει αυτόματα την ταχύτητα του εξαεριστήρα. Όταν το κλιματιστικό αρχίσει να λειτουργεί ο αισθητήρας θερμοκρασίας καταγράφει τη διαφορά θερμοκρασίας του περιβάλλοντος και της θερμοκρασίας που έχετε καταγράψει στο τηλεχειριστήριο και αφού την μεταδώσει στον μικροπεξεργαστή επιλέγει αυτόματα την ιδανική ταχύτητα του εξαεριστήρα.

ΣΗΜΕΙΩΣΗ

Στην θέση **ΑΕΡΙΣΜΟΣ** η ταχύτητα του ανεμιστήρα ρυθμίζεται αυτόματα, όπως στην θέση ψύξης.

ΔΙΑΦΟΡΑ ΜΕΤΑΨ ΘΕΡΜΟΚΡΑΣΙΑΣ ΠΕΡΙΒΑΛΛΟΝΤΟΣ ΚΑΙ ΡΥΘΜΙΣΜΕΝΗΣ ΘΕΡΜΟΚΡΑΣΙΑΣ		ΤΑΧΥΤΗΤΑ ΑΝΕΜΙΣΤΗΡΑ
Ψύξη και αφύγρυνση	2 °C ή υψηλότερη	Μέγιστη
	Μεταξύ 2 και 1 °C	Μέση
	Χαμηλότερη από 1 °C	Ελάχιστη
Θέρμανση	2 °C ή υψηλότερη	Μέγιστη
	Χαμηλότερη από 2 °C	Μέση

ΣΗΜΕΙΩΣΗ

Οι τιμές του πίνακα αναφέρονται στη λειτουργία του κλιματιστικού όταν είναι ενεργοποιημένος ο αισθητήρας στο τηλεχειριστήριο (βλέπε επιλογή αισθητήρα θερμοκρασίας σελ. 73).

Οι τιμές αλλάζουν ελαφρά στην περίπτωση που ο αισθητήρας που υπάρχει στην εσωτερική μονάδα είναι ενεργοποιημένος.

ΧΕΙΡΟΚΙΝΗΤΗ ΡΥΘΜΙΣΗ

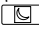
Για να ρυθμίσετε με χειροκίνητο τρόπο τον εξαεριστήρα πατήστε το μπουτόν **FAN SPEED** επιλέγοντας την επιθυμητή ταχύτητα.



Υψηλή ταχύτητα Μέση ταχύτητα Χαμηλή ταχύτητα

ΝΥΧΤΕΡΙΝΟ ΠΡΟΓΡΑΜΜΑ

- Το νυκτερινό πρόγραμμα χρησιμοποιεί για τη εξοικονόμηση ηλεκτρικής ενέργειας.

1. Πατήστε το μπουτόν **MODE** για να προδιατάξετε το κλιματιστικό στην ψύξη, αφύγρυνση ή θέρμανση.
2. Πατήστε το μπουτόν **SLEEP**.
3. Το σύμβολο  εμφανίζεται στην οθόνη. Για να βγείτε από το πρόγραμμα πατήστε εκ νέου το μπουτόν **SLEEP**.

Τι είναι το πρόγραμμα νυκτερινής λειτουργίας?

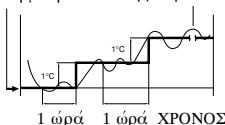
Στην αρχή το κλιματιστικό ψύχει ή θερμαίνει μέχρι να φτάσει στην θερμοκρασία που έχει επιλεγεί με τον επιλογή 3 και μετά σταματά. Μετά από 1 ώρα περίπου η θερμοκρασία που έχει επιλεγεί μεταβάλλεται με τον ακόλουθο τρόπο.

ΤΡΟΠΟΣ ΛΕΙΤΟΥΡΓΙΑΣ	ΜΕΤΑΒΟΛΗ ΕΠΙΛΕΧΘΕΙΣΑΣ ΘΕΡΜΟΚΡΑΣΙΑΣ
Θέρμανση	Μείωση κατά 1 °C
Ψύξη και αφύγρυνση	Αύξηση κατά 1 °C

Το κλιματιστικό λειτουργεί μέχρι την καινούργια επιλεγείσα θερμοκρασία και σταματά. Μετά από 1 ώρα η επιλεγείσα θερμοκρασία αυξάνεται εκ νέου κατά 1°C στην ψύξη και μειώνεται κατά 1°C στη θέρμανση. Μ' αυτόν τον τρόπο εξοικονομείται ενέργεια χωρίς αυτό να επηρεάζει τη νυκτερινή θερμοκρασία του χώρου.

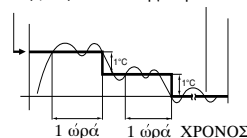
ΨΥΞΗ ΚΑΙ ΑΦΥΓΡΑΝΣΗ

Επιλεγείσα θερμοκρασία Θερμοκρασία περιβάλλοντος



ΘΕΡΜΑΝΣΗ

Επιλεγείσα θερμοκρασία Θερμοκρασία περιβάλλοντος



ΡΥΘΜΙΣΗ ΧΡΟΝΟΔΙΑΚΟΠΤΗ

Υπάρχουν τεσσέρις χρονοδιακόπτες που μπορούν να επιλεγούν από το τηλεχειριστήριο. Δυο ημερήσιοι χρονοδιακόπτες (T1 και T2 και δυο προαιρετικοί χρονοδιακόπτες για το Σαββατοκύριακο (WKT1 και WKT2). Οι χρονοδιακόπτες μπορούν να επιλεγούν πιέζοντας το κουμπί TIMER.

Οι ημερήσιοι χρονοδιακόπτες T1 και T2 μπορούν να ενεργοποιηθούν και να απενεργοποιηθούν σε δυο διαφορετικές χρονικές περιόδους.

Την προγραμματισμένη χρονική στιγμή η συσκευή θα ξεκινήσει να λειτουργεί.

Οι χρονοδιακόπτες σαββατοκύριακου WKT1 και WKT2 μπορούν να ενεργοποιηθούν και να απενεργοποιηθούν ξεχωριστά σε δυο διαφορετικές περιόδους μόνο για τις δυο αυτές ημέρες.

Η ρύθμιση αυτή θα ισχύει μόνο για την ημέρα της ρύθμισης και την επόμενη.

Στις 00:00 της επόμενης ημέρας, ο χρονοδιακόπτης του Σαββατοκύριακου δεν θα ισχύει πλέον και ο ημερήσιος χρονοδιακόπτης θα επανέλθει σε ισχύ.

WKT1 - ισχύει την ημέρα της ρύθμισης

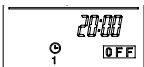
WKT2 - ισχύει μια ημέρα μετά την ημέρα ρύθμισης

Σημείωση:

1. Κατά τη λειτουργία του διακόπτη Σαββατοκύριακου, οι ημερήσιοι χρονοδιακόπτες θα είναι απενεργοποιημένοι.
2. Οι χρονοδιακόπτες Σαββατοκύριακου πρέπει να επανενεργοποιούνται πριν την έλευση του Σαββατοκύριακου.

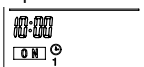
A) ΠΩΣ ΝΑ ΡΥΘΜΟΣΕΤΕ ΤΗΝ ΩΡΑ ΤΗΣ ΠΑΥΣΗΣ (OFF)

1. Πιέστε το κουμπί TIMER για να επιλέξετε τον επιθυμητό χρόνο.
2. Πατήστε το πλήκτρο SET και CLEAR μέχρι που να αναβοσβήνει η ένδειξη OFF.
3. Πατήστε το πλήκτρα + ή - (ΩΡΑ) μέχρι που να παρουσιαστεί η επιθυμητή τιμή.
4. Πατήστε το πλήκτρο SET για να ενεργοποιήσετε το timer.



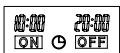
B) ΠΩΣ ΝΑ ΡΥΘΜΟΣΕΤΕ ΤΗΝ ΩΡΑ ΤΗΣ ΠΑΥΣΗΣ (ON)

1. Πιέστε το κουμπί TIMER για να επιλέξετε τον επιθυμητό χρόνο.
2. Πατήστε το πλήκτρο SET μέχρι που να αναβοσβήνει η ένδειξη ON.
3. Πατήστε το πλήκτρα + ή - (ΩΡΑ) μέχρι που να παρουσιαστεί η επιθυμητή τιμή.
4. Πατήστε το πλήκτρο SET και CLEAR για να ενεργοποιήσετε το timer.



C) ΠΩΣ ΝΑ ΡΥΘΜΟΣΕΤΕ ΤΟ ΚΑΘΗΜΕΡΙΝΟ ΠΡΟΓΡΑΜΜΑ ΑΝΑΜΑΤΟΣ/ΣΒΗΣΙΜΑΤΟΣ (H ANTIΘΕΤΩΣ)

1. Πιέστε το κουμπί TIMER για να επιλέξετε τον επιθυμητό χρόνο.
2. Πατήστε εκ νέου το πλήκτρο SET, η ένδειξη ON αναβοσβήνει.
3. Πατήστε το πλήκτρα + ή - (ΩΡΑ) μέχρι που να παρουσιαστεί η επιθυμητή τιμή.
4. Πατήστε εκ νέου το πλήκτρο SET, η ένδειξη OFF αναβοσβήνει.
5. Πατήστε το πλήκτρα + ή - (ΩΡΑ) μέχρι που να παρουσιαστεί η επιθυμητή τιμή.
6. Πατήστε το πλήκτρο SET για να ενεργοποιήσετε το timer.



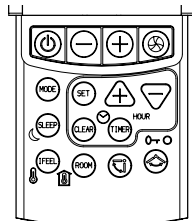
D) ΠΩΣ ΝΑ ΜΗΑΕΝΙΣΕΤΕ ΤΟ TIMER

1. Πιέστε το κουμπί TIMER για να επιλέξετε τον επιθυμητό χρόνο
2. Πατήστε το πλήκτρο CLEAR αν θέλετε να σβήσετε όλες τις ρυθμίσεις του timer.



ΣΗΜΕΙΩΣΗ

Αν η διαδικασία ρύθμισης του timer δεν ολοκληρωθεί μέσα σε 15 δευτερόλεπτα πατώντας το πλήκτρο SET, θα ακρωθεί και θα παραμείνει στην μνήμη η τελευταία ρύθμιση.



ΡΥΘΜΙΣΗ ΤΗΣ ΡΟΗΣ ΚΑΙ ΚΑΤΕΥΘΥΝΣΗΣ ΤΟΥ ΑΕΡΑ

ΟΡΙΖΟΝΤΙΑ (χειροκίνητη ρύθμιση)

Ρυθμίστε αλλάζοντας τη θέση των περιόδων αριστερά ή δεξιά όπως φαίνεται στις εικόνες που ακολουθούν για κάθε μοντέλο.

ΚΑΘΕΤΑ (με τηλεχειριστήριο για)

Με το τηλεχειριστήριο μπορείτε να ρυθμίσετε τον εκτροπέα κατά δύο τρόπους:

1. Πατήστε το πλήκτρο για να κινήσετε τον εκτροπέα.

Πατώντας και πάλι ο εκτροπέας σταματάει αμέσως.

2. Πατήστε το πλήκτρο για να μετακινήσετε τον εκτροπέα. βήμα προς βήμα.



ΠΡΟΣΟΧΗ

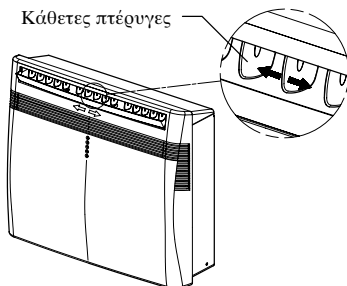
Κατά την ψύξη ή την αψύθραση, ειδικά παρουσία υψηλής υγρασίας στον χώρο, στρέψτε τα κάθετα περτσίγια ώστα να έλθουν σε μεταωπιαία θέση.

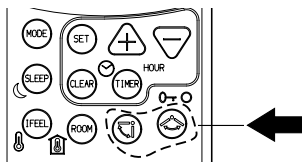
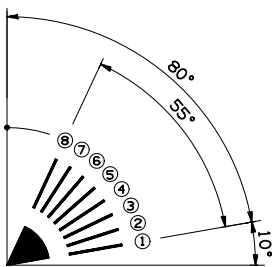
Αν στέψετε τα περτσίγια εντελώς αριστερά ή εντελώς δεξιά μπορεί να προκαλέσουν τον σχηματισμό υδρατμών και σταγόνων από την γρίλια της εξόδου του αέρος.



ΠΡΟΣΟΧΗ

Μη μετακινείτε τα διαφράγματα με το χέρι κατά τη διάρκεια λειτουργίας





- Λειτουργία κατεύθυνσης αέρα**
 Το όργανο παρέκκλισης αρχίζει να κινείται πάνω κάτω για να διασκορπίσει τον αέρα στο χώρο που έχει ρυθμιστεί.

ΣΗΜΕΙΩΣΗ

- Το όργανο παρέκκλισης του αέρα κλείνει αυτόματα όταν σβήνει το σύστημα.
- Κατά τη λειτουργία θέρμανσης η περιόδα ρυθμίζεται ανάλογα με τις παραμέτρους που καθορίστηκαν από το τηλεχειριστήριο.



ΠΡΟΣΟΧΗ

- Χρησιμοποιείτε το πλήκτρο **FLAP** στο τηλεχειριστήριο για να ρυθμίσετε τη θέση του όργανου παρέκκλισης του αέρα.
 Αν μετακινήσετε το όργανο παρέκκλισης του αέρα με το χέρι, τότε η θέση του σύμφωνα με το τηλεχειριστήριο και η πραγματική του θέση ίσως να μην αντιστοιχούν. Αν συμβεί κάτι τέτοιο, σβήστε το σύστημα, περιμένετε να κλείσει το όργανο παρέκκλισης του αέρα και ξαναανάψτε το κλιματιστικό. Τώρα η θέση του είναι πάλι σωστή.

ΠΩΣ ΝΑ ΑΔΕΙΑΣΕΤΕ ΤΟ ΣΥΣΣΩΡΕΥΜΕΝΟ ΣΥΜΠΥΚΝΩΜΑ

Η υγρασία που δημιουργείται μέσα στη μονάδα συλλέγεται και αποστραγγίζεται αυτόματα. Σε ειδικές περιπτώσεις όμως μπορεί να συσσωρευτεί. Κάθε φορά που προβλέπεται μακροχρόνια αδράνεια της συσκευής πρέπει να αδειάζετε το τυχόν συσσωρευμένο συμπύκνωμα, διαμέσου του ειδικού σωλήνα που υπάρχει στη βάση.

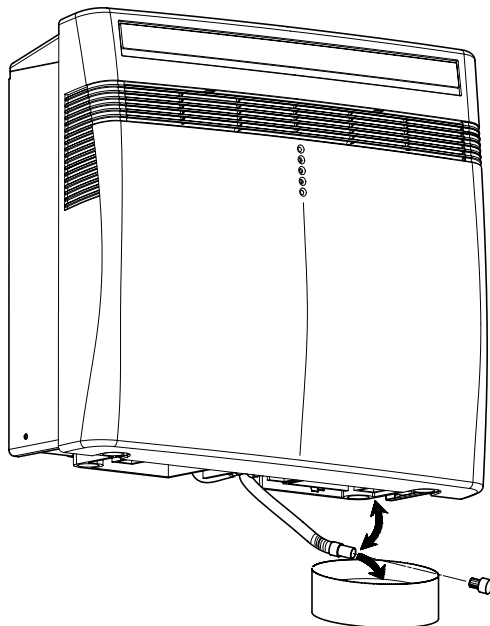


ΠΡΟΒΙΟΔΙΟΠΟΙΗΣΗ

- Να σβήνετε πάντα το κλιματιστικό, πριν βγάλετε το φιν από την πρίζα.
- Να σβήνετε πάντα το φιν από την πρίζα, πριν αδειάσετε το συμπύκνωμα που συσσωρεύτηκε μέσα στη συσκευή.

ΣΗΜΕΙΩΣΗ

Όταν τελειώσετε κλείστε το σωληνάκι με την ειδική τάπα.



ΛΕΙΤΟΥΡΓΙΑ ΧΩΡΙΣ ΤΟ ΤΗΛΕΧΕΙΡΙΣΤΗΡΙΟ

Σε περίπτωση απώλειας ή άλλου προβλήματος του χειριστηρίου ακολουθήστε τις εξής ενέργειες:

1. ΚΛΙΜΑΤΙΣΤΙΚΟ ΣΤΑΜΑΤΗΜΕΝΟ.

Αν θέλετε να θέσετε σε κίνηση το κλιματιστικό πατήστε το πλήκτρο MODE με ένα στυλό για να επιλέξετε την λειτουργία που επιθυμείτε (COOL ή HEAT).

ΣΗΜΒΙΩΣΗ

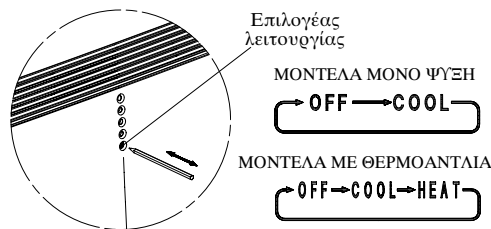
Το κλιματιστικό θα τεθεί σε κίνηση με αυτόματη ταχύτητα του ανεμιστήρα και τον εκτροπέα σε κίνηση. Η ρύθμιση της θερμοκρασίας είναι **22 °C** για την ψύξη και **28 °C** για την θέρμανση.

2. ΚΛΙΜΑΤΙΣΤΙΚΟ ΣΕ ΛΕΙΤΟΥΡΓΙΑ.

Αν θέλετε να σταματήσετε τοκλιματιστικό πατήστε το πλήκτρο MODE με ένα στυλό μέχρι που να οθήσει η φωτεινή ένδειξη OPERATION.

ΣΗΜΒΙΩΣΗ

Σε περίπτωση διακοπής ρεύματος η μονάδα θα σταματήσει. Όταν επανέλθει το ρεύμα η μονάδα θα ξεκινήσει μετά από 3 λεπτά.



ΣΥΜΒΟΥΛΕΣ ΓΙΑ ΜΕΓΙΣΤΗ ΑΝΕΣΗ ΚΑΙ ΕΛΑΧΙΣΤΗ ΚΑΤΑΝΑΛΩΣΗ

ΑΠΟΦΕΥΓΤΕ

- Την ύψαξη εμποδίων στη γρίλια εισόδου και εξόδου του αέρα στη μονάδα, αν υπάρχουν εμπόδια η μονάδα δεν λειτουργεί κανονικά και μπορεί να προκληθεί βλάβη.
- Την άμεση έκθεση στην ηλιακή ακτινοβολία χρησιμοποιώντας εξωτερικές τέντες ή κλεινόντας τις εσωτερικές κουρτίνες.

ΕΛΕΓΣΤΕ

- Κρατάτε πάντα τα φίλτρα καθαρά. Ενα φραγμένο φίλτρο μειώνει την απόδοση του μηχανήματος.
- Αν οι πόρτες και τα παράθυρα είναι καλά κλεισμένα για να αποφεύγεται η είσοδος μη κλιματιζόμενου αέρα.
- Πως η θερμοκρασία χώρου δεν υπερβαίνει τους 16°C για τη λειτουργία ψύξης και στην αφύγρανση.

ΕΞΑΚΡΙΒΩΣΗ ΠΡΟΒΛΗΜΑΤΩΝ ΚΑΙ ΕΡΙΑΥΣΗ ΤΟΥΣ



ΠΡΟΕΙΔΟΠΟΙΗΣΗ

- Η χρήση κινητού τηλεφώνου κοντά στο κλιματιστικό ίσως προκαλέσει ανωμαλία στη λειτουργία του και πρέπει να αποφευχθεί. Πρέπει να αποφεύγετε τη χρήση κινητών τηλεφώνων κοντά στη συσκευή γιατί δημιουργεί παρασίτα στο ρυθμιστή λειτουργίας της. Αν διαπιστώσετε αυτή τη λειτουργική ανωμαλία (ανάβει το ενδεικτικό λαμπάκι λειτουργίας (4)), αλλά το κλιματιστικό δεν λειτουργεί), αποκαταστήστε την κανονική λειτουργία διακόπτοντας την ηλεκτρική τροφοδοσία για 60 δευτερόλεπτα περίπου, μέσω του γενικού διακόπτη ή βγάζοντας το φως από την πρίζα. Στη συνέχεια, ξαναθετέ σε λειτουργία το κλιματιστικό.

- Αν το κλιματιστικό δεν λειτουργεί, πριν καλέσετε τους τεχνικούς κάντε τους παρακάτω ελέγχους. Αν εξακολουθεί να μη λειτουργεί κανονικά τότε επικοινωνήστε με το κατάστημα πώλησης ή την αντιπροσωπεία.

Βλάβη: Η συσκευή κλιματισμού δε λειτουργεί.

Πιθανή Αιτία:

1. Έχει διακοπεί η τροφοδοσία ηλεκτρικού ρεύματος.
2. Ο αυτόματος διακόπτης είναι ανοιχτός ή η ασφάλεια καμένη.
3. Η τάση ηλεκτρικού ρεύματος είναι πολύ χαμηλή.
4. Το κουμπί χειρισμού στο τηλεχειριστήριο είναι κλειστό.
5. Οι μπαταρίες του τηλεχειριστηρίου είναι εξασθενημένες.
6. Ο επιλογέας στη συμπληρωματική μονάδα για τη θέρμανση με νερό δεν είναι στη σωστή θέση.

Επανόρθωση:

1. Επαναφέρετε την τροφοδοσία ηλεκτρικού ρεύματος.
2. Απευθυνθείτε την Υπηρεσία Τεχνικής Υποστήριξης.
3. Συμβουλευθείτε τον ηλεκτρολόγο σας.
4. Πιέστε πάλι το κουμπί ON/OFF στο χειριστήριο.
5. Αντικαταστήστε τις μπαταρίες.
6. Γυρίστε τον επιλογέα στη θέση που αντιστοιχεί στο σύμβολο 'Κλιματιστικό'.

Βλάβη: Η λυχνία STANDBY (3) της μονάδας αναβοσβήνει και το κλιματιστικό δεν λειτουργεί.

Πιθανή αιτία:

1. Προβλήματα στην ηλεκτρική σύνδεση.

Επανόρθωση:

1. Απευθυνθείτε την Υπηρεσία Τεχνικής Υποστήριξης

Βλάβη: Η λυχνία TIMER (2) της εσωτερικής μονάδας αναβοσβήνει και το κλιματιστικό δεν λειτουργεί.

Πιθανή Αιτία:

1. Έχει διακοπεί η τροφοδοσία ηλεκτρικού ρεύματος.

Επανόρθωση:

1. Πιέστε πάλι το κουμπί ON/OFF στο χειριστήριο.

Βλάβη: Ο συμπιεστής τίθεται σε λειτουργία αλλά μετά από λίγο σταματά.

Πιθανή αιτία:

1. Υπάρχει εμπόδιο στο πηνίο του συμπυκνωτή (Εξωτερική μονάδα).

Επανόρθωση:

1. Αφαιρέστε το εμπόδιο.

Βλάβη: Ανεπαρκής απόδοση ψύξης ή θέρμανσης.

Πιθανή Αιτία:

1. Ακαθαρό το βουλομένο φίλτρο.
2. Υπερβολική ψύξη.
3. Πόρτες και/ή παράθυρα ανοιχτά.
4. Εμπόδιο κοντά στην είσοδο ή εξόδο αέρα.
5. Ο θερμοστάτης είναι ρυθμισμένος πολύ ψηλά για ψύξη (ή πολύ χαμηλά για θέρμανση).
6. Εξωτερική θερμοκρασία πολύ χαμηλή (έκδοση με θερμοαντλία).
7. Εξωτερική θερμοκρασία είναι πολύ χαμηλή (έκδοση με θερμοαντλία).

Επανόρθωση:

1. Καθαρίστε το φίλτρο αέρα.
2. Εξαιλέψτε τις περιττές πηγές θερμότητας.
3. Κλείστε πόρτες και παράθυρα.
4. Απομακρύνετε το εμπόδιο να επανέλθει η κανονική λειτουργία του αέρα.
5. Επαρμόνωνε τον θερμοστάτη.
6. Χρησιμοποιήστε μια πρόσθετη συσκευή θέρμανσης.
7. Απευθυνθείτε την Υπηρεσία Τεχνικής Υποστήριξης.

Βλάβη: Το ενδεικτικό λαμπάκι λειτουργίας (4) αναβοσβήνει, ο ανεμιστήρας λειτουργεί, ενώ ο συμπιεστής είναι σταματημένος.

Πιθανή αιτία:

1. Επεμβαθεί του μικρο-φλωτέρ ασφαλείας, λόγω υπερβολικού συμπυκνωματος.

Επανόρθωση:

1. Αδειάστε το συμπύκνωμα (βλέπε παράγραφο "ΠΩΣ ΝΑ ΑΔΕΙΑΣΕΤΕ ΤΟ ΣΥΣΣΩΡΕΥΜΕΝΟ ΣΥΜΠΥΚΝΩΜΑ").

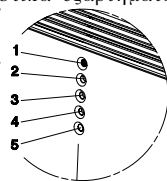
Βλάβη: Από το κλιματιστικό ακούγονται τριξίματα.

Πιθανή αιτία:

1. Με την αλλαγή της θερμοκρασίας κατά τη λειτουργία θέρμανσης ή ψύξης τα πλαστικά εξαρτήματα διαστέλλονται και προκαλούν αυτών τον θορύβο.

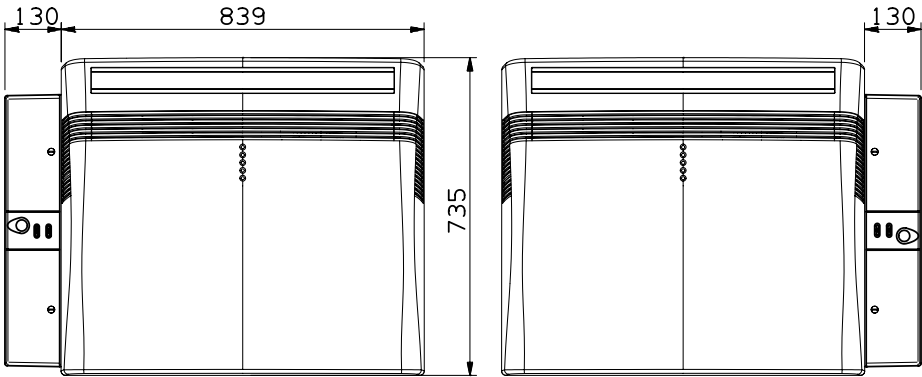
Επανόρθωση:

1. Είναι κανονικό και τα τριξίματα θα σταματήσουν σε μικρό χρονικό διάστημα.



KIT ΓΙΑ ΤΗ ΘΕΡΜΑΝΣΗ ΜΕ ΖΕΣΤΟ ΝΕΡΟ (245C-235H)

Η συσκευή είναι προετοιμασμένη για την αντικατάσταση ενός θερμοσίφωνα σε μια προ-υπάρχουσα εγκατάσταση. Απαιτείται η αγορά της συμπληρωματικής μονάδας που μπορεί να εγκατασταθεί και στις δύο πλευρές της συσκευής, ανάλογα με τη θέση των ρακόρ νερού.



ΣΥΝΤΗΡΗΣΗ ΚΑΙ ΦΡΟΝΤΙΔΑ

ΠΡΟΦΥΛΑΞΗ! Πριν κάνετε καθαριότητα και συντήρηση, σβήστε το κλιματιστικό και βγάλτε τον ρευματολήπτη από την πρίζα.

1. ΠΩΣ ΘΑ ΒΓΑΛΕΤΕ ΤΟ ΦΙΛΤΡΟ

Το φίλτρο αέρα πρέπει να ελέγχεται και να καθαρίζεται τουλάχιστον μια φορά κάθε 2 εβδομάδες λειτουργίας. Η λειτουργία με ρυπαρό ή μπουκωμένο φίλτρο μπορεί να μειώσει την απόδοση της συσκευής κλιματισμού. Το φίλτρο είναι τοποθετημένο πίσω από την εμπροσθία λειτουργία αναρρόφησης: ανοίξτε τη μάσκα τραβώντας προς τα κάτω τα δύο αγκίστρα, πιάστε τους δύο κρικούς του φίλτρου και τραβήξτε τους προς τα πάνω. Χρησιμοποιήστε ηλεκτρική σκούπα για να καθαρίσετε τις ελαφρές σκόνες. Αν υπάρχει καθολού κολλώδης σκόνη στο φίλτρο πλυντέ το μεσα σε χλιαρό νερό με σαπουνάδα και ξεβγάλτε το.

2. Καθαρισμός του κάλυμματος και της γρίλιας.

Καθαρίστε το κάλυμμα και τη γρίλια της εσωτερικής μονάδας με τη βούρτσα μιας ηλεκτρικής σκούπας ή τρίψτε με ένα μαλακό καθαρό πανί. Αν υπάρχουν λεκέδες χρησιμοποιήστε ένα υγρό καθαρό πανί. Μην χρησιμοποιείτε διαλύτες ή διαβρωτικές χημικές ουσίες. Μην τρίβετε το πλαστικό κάλυμμα με πολύ ζεστό νερό. Μην χύνεται νερό στη μονάδα για να την πλύνετε. Θα μπορούσαν να πάθουν ζημιά τα εσωτερικά εξαρτήματα ή να προκληθεί βραχυκύκλωμα.

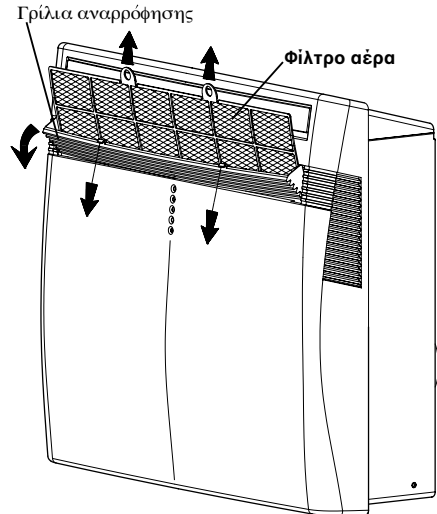
3. Μετά τη χρήση.

Όταν προβλέπετε μακροχρόνια αδράνεια του κλιματιστικού, καθαρίστε το φίλτρο και βεβαιωθείτε πως δεν έχει μείνει συμπύκνωμα στη βάση (βλέπε παράγραφο "ΠΩΣ ΝΑ ΑΔΕΙΑΣΕΤΕ ΤΟ ΣΥΣΣΩΡΕΥΜΕΝΟ ΣΥΜΠΥΚΝΩΜΑ"). Μην ακουμπάτε βαριά αντικείμενα στο πάνω επίπεδο.

4. Μεταφορά.

Να μεταφέρετε τη συσκευή σε κατακόρυφη θέση.

5. Για την ασφάλειά σας, πρέπει να ελέγχετε περιοδικά την κατάσταση του καλωδίου τροφοδοσίας. Η ηλεκτρική σύνδεση της συσκευής είναι τύπου **Y** με ειδικά προετοιμασμένο καλώδιο. Αν πάθει κάποια ζημιά κατά την χρήση, απευθυνθείτε σε ένα Κέντρο Τεχνικής Υποστήριξης (Σέρβις) για την αντικατάστασή του.



OXI

Electric wiring diagrams' symbols / *Simboli schemi elettrici* / *Symboles des schemas électriques* / *Symbole der System-Schaltplanen*
 Símbolos de los esquemas eléctricos / *Símbolos dos esquemas elétricos*

SYMBOL	EG	I	F	D	E	P
PC	CONDENSATE PUMP MOTOR	MOTORE POMPA CONDENSA	MOTEUR POMPE CONDENSATION	KONDENSATORPUMPE-MOTOR	MOTOR BOMBA DE AGUA	MOTOR BOMBA DE AGUA
CM	COMPRESSOR MOTOR	MOTORE COMPRESSORE	MOTEUR DE COMPRESSEUR	KOMPRESSORMOTOR	MOTOR DEL COMPRESOR	COMPRESOR
C1, 2, 3, 4	CAPACITOR	CONDENSATORE	CONDENSATEUR	KONDENSATOR	CONDENSADOR	CONDENSADOR
DEF THERMO	DEFROST THERMOSTAT	TERMOSTATO SBRIMATORE	TERMOSTAT DE DEGIVAGE	EMFROSTER-THERMOSTAT	TERMOSTATO DE DESGONGELACION	TERMOSTATO DE DESGONGELAÇÃO
FLP	FLAP MOTOR	MOTORE DEFELETORE	MOTEUR DE VOLET	KLAPPENMOTOR	MOTOR DEL DEFLECTOR	MOTOR DA PLACA
LM	LOUVER MOTOR	MOTORE DEFELETORE	MOTEUR D'AVUENT	LUFTKLAPPENMOTOR	MOTOR CON ABERTURAS	MOTOR COM ABERTURAS LATERAIS
FHO	OUTDOOR FAN MOTOR	MOTORE ESTERNO VENTOLA	MOTEUR DE VENTILATEUR EXTERIEUR	AUSSERLUFTMOTOR	MOTOR EXTERIOR DE LA TURBINA	MOTOR DA VENTONHA EXTERIOR
FMI, FMI	INDOOR FAN MOTOR	MOTORE INTERNO VENTOLA	MOTEUR DE VENTILATEUR INTERIEUR	INNENLUFTMOTOR	MOTOR INTERIOR DE LA TURBINA	MOTOR DA VENTONHA INTERIOR
IND. ASSY	INDICATOR ASSY	GRUPPO INDICATOR	ENSEMBLE INDICATEUR	ANZEIGE-BAUGRUPPE	GRUPO DE INDICADORES	GRUPO DE INDICADORES
MG	MAGNETIC CONTACTOR	CONTACTORE MAGNETICO	CONTACTEUR MAGNETIQUE	MAGNETIKONTAKTOR	CONTACTOR MAGNETICO	CONTACTOR MAGNETICO
MF	NOISE FILTER	FILTRO RUMORE	FILTRE ANTI PARASSITE	LÄRM-SCHUTZFILTER	FILTRO DEL RUIDO	FILTRO DE RUIDO
OLR	OVERLOAD RELAY	RELE SOVRACCARICO	RELAIS DE SURCHARGE	ÜBERLASTRELAYS	RELE DE SOBRECARGA	RELE DE SOBRECARGA
CE	CONTROLLER	SCHEDELETTICA	CARTE ELECTRONIQUE	STEUERGERÄT	CONTROLADOR	PANEL ELÉCTRICO
PR	POWER RELAY	RELE ALIMENTAZIONE	RELAIS D'ALIMENTATION	LESTUNGSELAYS	RELE DE ALIMENTACIÓN	RELE DE ALIMENTAÇÃO
RP	PUMP RELAY	RELE POMPA	RELAIS POMPE	PUMPE RELAYS	RELE BOMBA DE AGUA	RELE BOMBA
SSR	SOLID STATE RELAY	RELE STATO SÓLIDO	RELAIS A SEMI-CONDUCTEUR	FESTKÖRPERRELAYS	RELE DEL ESTADO SÓLIDO	RELE DO ESTADO SÓLIDO
RA	STARTING RELAY	RELE D'AVVIAMENTO	RELAIS DE DEMARRAGE	STARTRELAYS	RELE DE ARRANQUE	RELE DE ARRANQUE
SV	SOLENOID VALVE	VALVOLA SOLENOIDE	ELECTROVANNE	MAGNETVENTIL	VALVULA SOLENOIDE	VALVULA SOLENOIDE
MS	SAFETY FLOW SWITCH	INT. SICUREZZA A GALL.	INTERR. DE SECURITE A FLOTTEUR	SCHWEIM-SCHUTZSCHALTER	INTERR. DE SEGURIDAD DE FLUJADOR	INTERR. DE SEGURANÇA
ON-OFF SW	ON-OFF SWITCH	INTERRUTTORE MARCIA/ARRESTO	TOUCHE MARCHE/ARRÊT	EMKIOS TASTE	BOTON ARRANQUE/PARRADA	INTERRIPTOR LIGAR/DES-LIGAR
TH1, 2	THERMISTOR	TERMISTORE	THERMISTANCE	THERMISTOR	TERMISTOR	TERMISTOR
P	TIMER	PROGRAMMATORE	PROGRAMMATEUR	ZEITSCHALT-UHR	PROGRAMADOR	TIMER
TR1, 2	POWER TRANSFORMER	TRASFORMATORE DI POTENZA	TRANSFORMATEUR DE PUISSANCE	NETZTRANSFORMATOR	TRANSFORMADOR DE POTENCIA	TRANSFORMADOR DE CORRENTE
20S	4-WAY VALVE	VALVOLA 4 VIE	VANNE 4 VOIES	4-WEIG-VENTIL	VALVULA DE 4 VIAS	VALVULA DE 4 VIAS
4TC	NEGATIVE PHASE RELAY	RELE A FASE NEGATIVA	RELAIS D'ORDRE DE PHASE	NEGATIVPHASERELAYS	RELE DE FASE NEGATIVA	RELE DA FASE NEGATIVA
HWC	HOT WATER CONTROL	SCHEDE CONTROLLO ACQUA CALDA	CARTE ELECTRONIQUE EAU CHAUDE	WARMWASSER-STEUERGERÄT	CONTROLADOR AGUA CALENTE	PLACA DE CONTROLO AGUA QUENTE
THC	LIMIT WATER THERMOSTAT	TERMOSTATO LIMITE ACQUA	TERMOSTAT DE SEC. NIVEAU EAU	WASSERGRENZ-THERMOSTAT	TERMOSTATO LIMITE AGUA	TERMOSTATO LIMITE AGUA
EWV	WATER ELECTRIC VALVE	ELETTROVALVOLA PASS. ACQUA	ELECTROVANNE PASSAGE EAU	VENTIL (WASSER-DURCHFUSS)	VALVULA FLUJO DE AGUA	VALVULA PASSAGEM DE AGUA

EG	I	F	D	E	P
BLK	BLACK	NOIR	SCHWARZ	NEGRO	PRETO
BLU	BLUE	BLEU	BLAU	AZUL	AZUL
BRO	BROWN	MARRON	MARRON	MARRÓN	CASTANHO
GRN / YEL	GREEN/YELLOW	VERDE / GIALLO	GRÜN / GELB	VERDE / AMARILLO	VERDE / AMARELO
GRY	GREY	GRIGIO	GRIS	GRIS	CINZENTO
ORG	ORANGE	ARANCIONE	ORANGE	ORANGE	COR-DE-LARANJA
PNK	PINK	ROSA	ROSE	ROSA	COR-DE-ROSA
RED	RED	ROSSO	ROUGE	ROUGE	ENCARNADO
VLT	VIOLET	VIOLA	VIOLET	VIOLETT	VIOLETA
WHT	WHITE	BIANCO	BLANC	WEISS	BRANCO
YEL	YELLOW	GIALLO	JAUNE	GELB	AMARELO
AZU	LIGHT BLUE	AZZURRO	AZUR	HIMMEL BLAU	AZUL CLARO

Wires color legend
Legenda colori fili elettrici
Legende des couleurs des fils électriques
Beschriftung der Leitungs-Farben
Leyenda de los colores de los cable electricos
Legenda das cores dos fios elétricos

argoclima s.p.a.

Via Varese, 90 - 21013 Gallarate - Va - Italy

Tel. +39 0331 755111 - Fax +39 0331 776240

www.argoclima.com